

LQW2UASR56J00#

“#” indicates a package specification code.

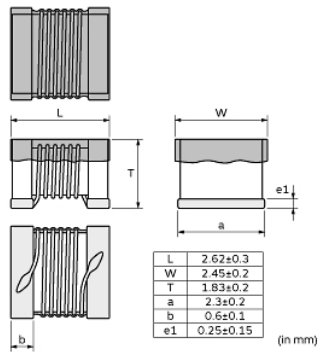
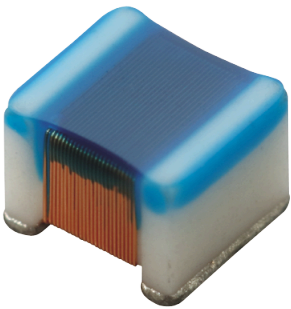
Size Code 2520 (1008) in mm (in inch), Wound Type



< List of part numbers with package codes >

LQW2UASR56J00B LQW2UASR56J00L

Appearance & Shape



References

Packaging	Specifications	Standard Packing Quantity
B	Bulk(Bag)	500
L	180Embossed Tape	2000

Mass (typ.)	
1 piece	0.039g

Attention

- This datasheet is downloaded from the website of Murata Manufacturing Co., Ltd. Therefore, it's specifications are subject to change or our products in it may be discontinued without advance notice. Please check with our sales representatives or product engineers before ordering.
- This datasheet has only typical specifications because there is no space for detailed specifications. Therefore, please review our product specifications or consult the approval sheet for product specifications before ordering.

LQW2UASR56J00#

“#” indicates a package specification code.



Specifications

L size	2.62±0.3mm
W size	2.45±0.2mm
T size	1.83±0.2mm
Size code inch (mm)	1008 (2520)
Inductance	560nH±5%
Inductance Test Frequency	25MHz
Rated current (Itemp) (Based on Temperature rise)	400mA
Max. of DC resistance	1.33Ω
Q(min.)	45
Q Test Frequency	100MHz
Self resonance frequency (min.)	415MHz
Operating Temperature Range(Self-temperature rise is not included)	-55°C to 125°C
Brand	Murata
Series	LQW2UAS_00

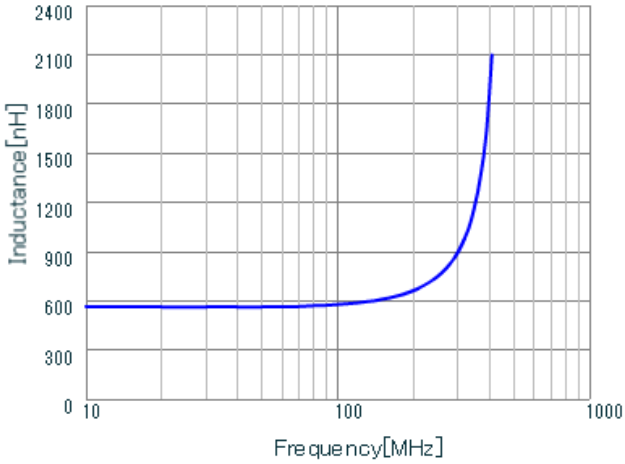
Attention

- 1.This datasheet is downloaded from the website of Murata Manufacturing Co., Ltd. Therefore, it's specifications are subject to change or our products in it may be discontinued without advance notice. Please check with our sales representatives or product engineers before ordering.
- 2.This datasheet has only typical specifications because there is no space for detailed specifications. Therefore, please review our product specifications or consult the approval sheet for product specifications before ordering.

LQW2UASR56J00#

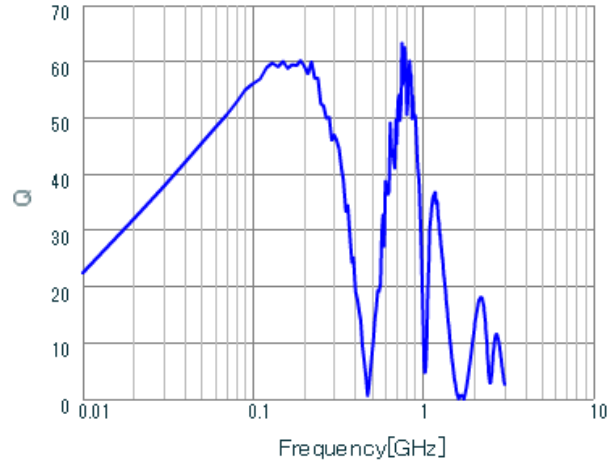
"#" indicates a package specification code.

Characteristic Data



LQW2UASR56J00 L.

Inductance - Frequency Characteristics



LQW2UASR56J00 Q.

Q-Frequency Characteristics

Attention

- 1.This datasheet is downloaded from the website of Murata Manufacturing Co., Ltd. Therefore, it's specifications are subject to change or our products in it may be discontinued without advance notice. Please check with our sales representatives or product engineers before ordering.
- 2.This datasheet has only typical specifications because there is no space for detailed specifications. Therefore, please review our product specifications or consult the approval sheet for product specifications before ordering.