

CGA9N2X7R2A225M230KA

TDK Item Description : CGA9N2X7R2A225MT*****

Equivalent C5750X7R2A225M for Automotive

Application & Main Feature

Automotive Grade (Mid Voltage (100 to 630V))

Series

CGA9(5750) [EIA CC2220]

Dimensions

L	5.70mm	+/-0.4mm
W	5.00mm	+/-0.4mm
T	2.30mm	+/-0.2mm
B	0.20mm Min.	
G		

Temperature Characteristic

X7R (-55 to 125 degC +/-15%)

Rated Voltage

2A (100Vdc)

Capacitance

2.2uF

Capacitance Tolerance

M (+/-20%)

Dissipation Factor

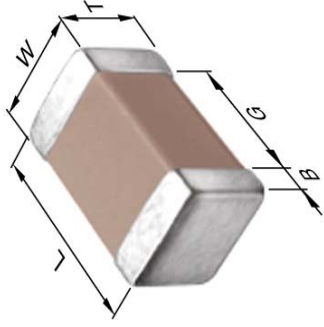
3% Max.

Insulation Resistance

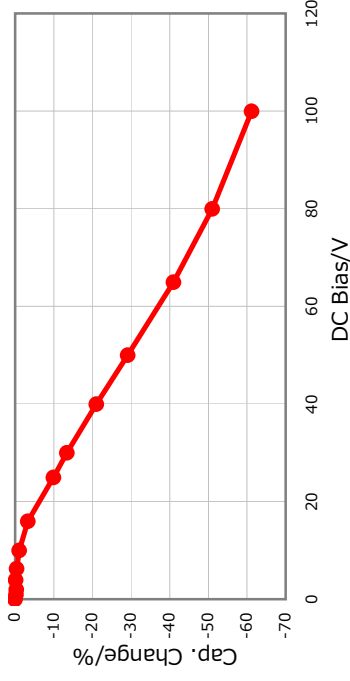
227Mohm Min.

AEC-Q200

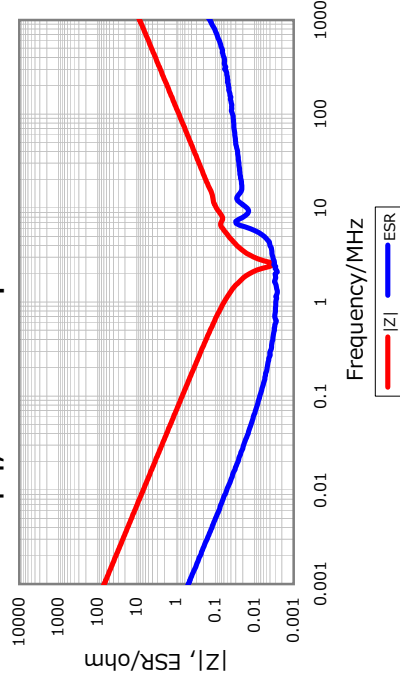
Yes



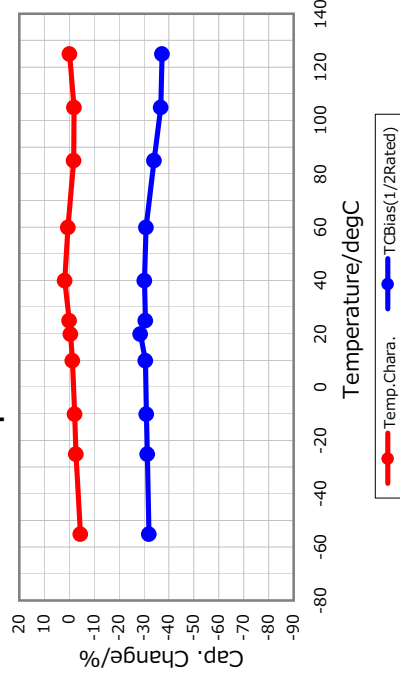
DC Bias Characteristic



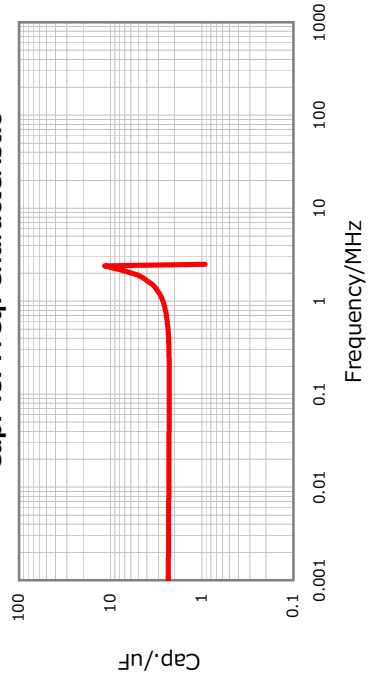
|Z|, ESR vs. Freq. Characteristics



Temperature Characteristics



Cap. vs. Freq. Characteristic



Ripple Temperature Rise Characteristics

