

LQW15AN39NJ00#

"#" indicates a package specification code.

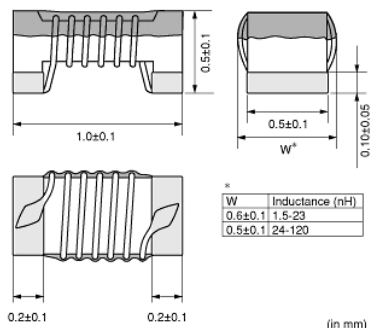
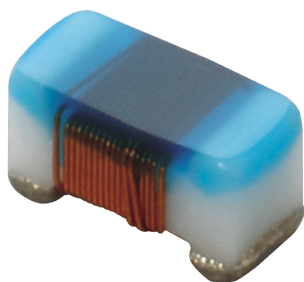
Size Code 1005 (0402) in mm (in inch), Wound Type



< List of part numbers with package codes >

LQW15AN39NJ00B LQW15AN39NJ00D

Appearance & Shape



References

Packaging	Specifications	Standard Packing Quantity
B	Bulk(Bag)	500
D	180mm Paper Tape	10000

Mass (typ.)	
1 piece	0.0008g

Attention

- This datasheet is downloaded from the website of Murata Manufacturing Co., Ltd. Therefore, its specifications are subject to change or our products in it may be discontinued without advance notice. Please check with our sales representatives or product engineers before ordering.
- This datasheet has only typical specifications because there is no space for detailed specifications. Therefore, please review our product specifications or consult the approval sheet for product specifications before ordering.

LQW15AN39NJ00#

“#” indicates a package specification code.



Specifications

L size	1.0±0.1mm
W size	0.5±0.1mm
T size	0.5±0.1mm
Size code inch (mm)	0402 (1005)
Inductance	39nH±5%
Inductance Test Frequency	100MHz
Rated current (Itemp) (Based on Temperature rise)	250mA
Max. of DC resistance	0.7Ω
Q(min.)	25
Q Test Frequency	250MHz
Self resonance frequency (min.)	3GHz
Operating Temperature Range(Self-temperature rise is not included)	-55°C to 125°C
Brand	Murata
Series	LQW15AN_00

Attention

1.This datasheet is downloaded from the website of Murata Manufacturing Co., Ltd. Therefore, it's specifications are subject to change or our products in it may be discontinued without advance notice. Please check with our sales representatives or product engineers before ordering.

2.This datasheet has only typical specifications because there is no space for detailed specifications.

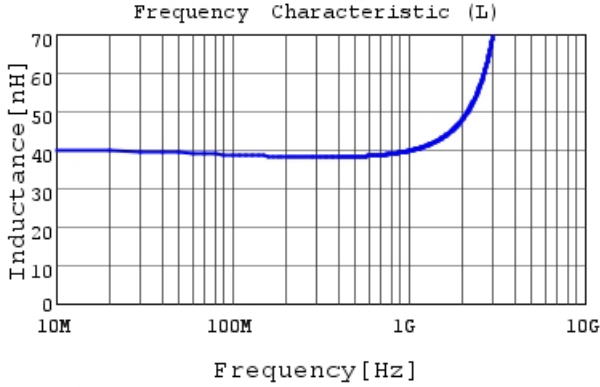
Therefore, please review our product specifications or consult the approval sheet for product specifications before ordering.

LQW15AN39NJ00#

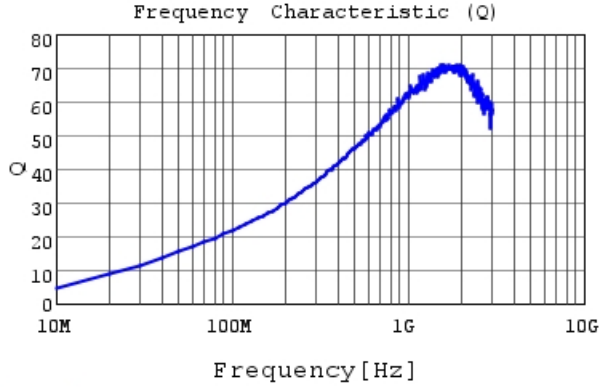
"#" indicates a package specification code.

Characteristic Data

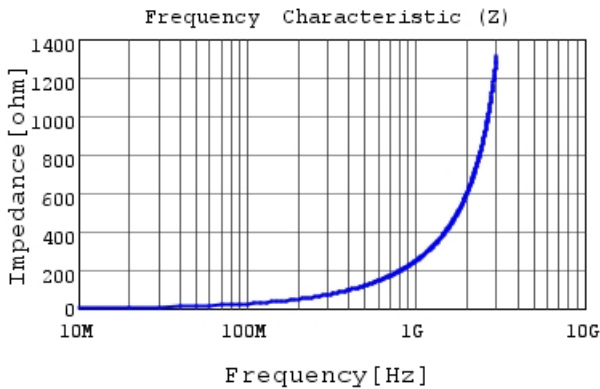
The charts below may show another part number which shares its characteristics.



LQW15AN39NJ00 L



LQW15AN39NJ00 Q



LQW15AN39NJ00 |Z|

Attention

- 1.This datasheet is downloaded from the website of Murata Manufacturing Co., Ltd. Therefore, it's specifications are subject to change or our products in it may be discontinued without advance notice. Please check with our sales representatives or product engineers before ordering.
- 2.This datasheet has only typical specifications because there is no space for detailed specifications.
Therefore, please review our product specifications or consult the approval sheet for product specifications before ordering.