

CGJ3E1X7R0J155K080AC

TDK Item Description : CGJ3E1X7R0J155KT****

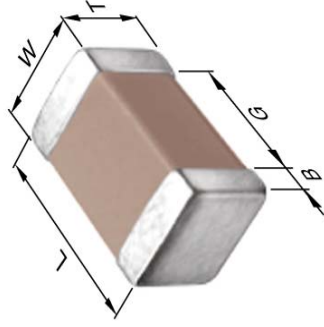


Application & Main Feature

High Reliability Grade (General (Up to 50V))

Series

CGJ3(1608) [EIA CC0603]



Dimensions

L	1.60mm	+/-0.1mm
W	0.80mm	+/-0.1mm
T	0.80mm	+/-0.1mm
B	0.20mm	Min.
G	0.30mm	Min.

Temperature Characteristic

X7R (-55 to 125 degC +/-15%)

Rated Voltage

0J (6.3Vdc)

Capacitance

1.5uF

Capacitance Tolerance

K (+/-10%)

Dissipation Factor

10% Max.

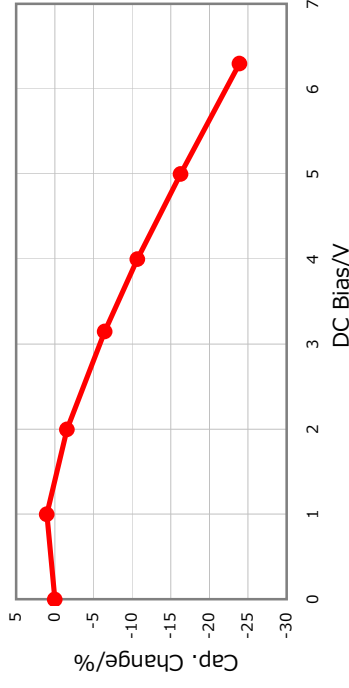
Insulation Resistance

66Mohm Min.

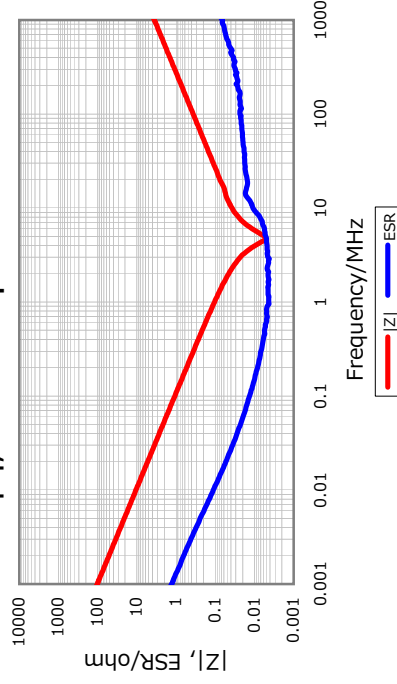
AEC-Q200

Yes

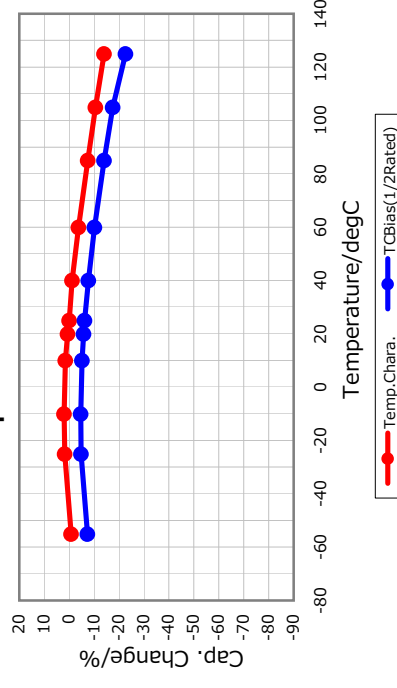
DC Bias Characteristic



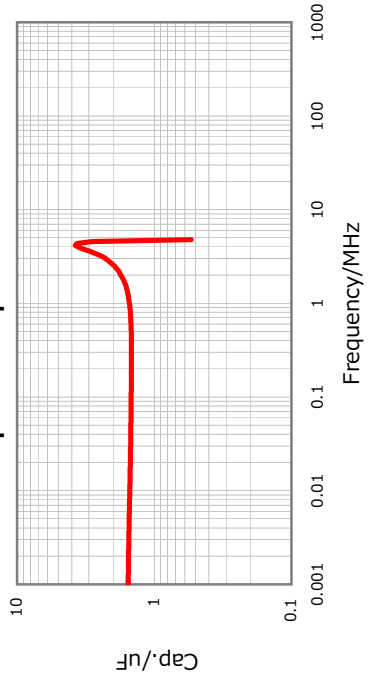
|Z|, ESR vs. Freq. Characteristics



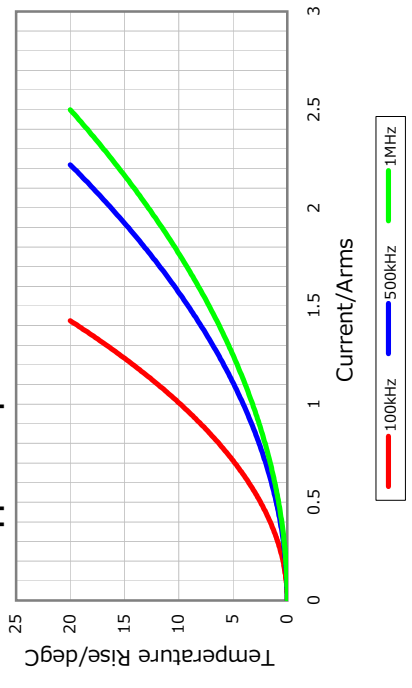
Temperature Characteristics



Cap. vs. Freq. Characteristic



Ripple Temperature Rise Characteristics



All specifications are subject to change without notice.

January 4, 2016