

# CGA6P3X8R1E475K250AD

TDK Item Description : CGA6P3X8R1E475KT\*\*\*B

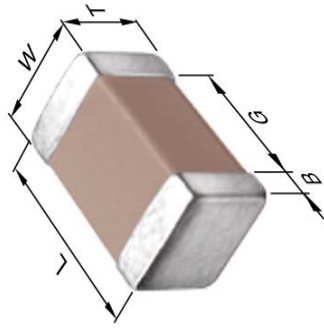


## Application & Main Feature

Automotive Grade ( Conductive Epoxy Application )

## Series

CGA6(3225) [EIA CC1210]



## Dimensions

L 3.20mm +/-0.45mm  
 W 2.50mm +/-0.3mm  
 T 2.50mm +/-0.3mm  
 B 0.20mm Min.  
 G

## Temperature Characteristic

X8R (-55 to 150 degC +/-15%)

## Rated Voltage

1E (25Vdc)

## Capacitance

4.7uF

## Capacitance Tolerance

K (+/-10%)

## Dissipation Factor

3% Max.

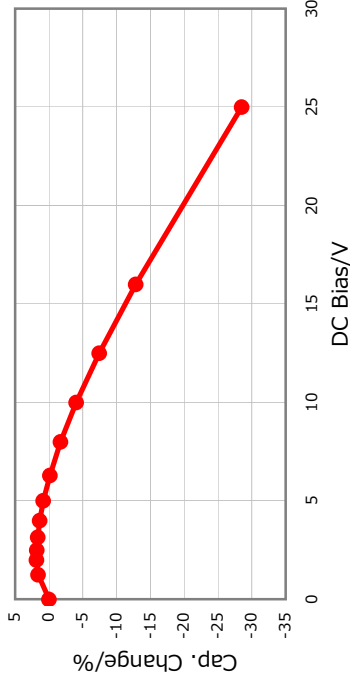
## Insulation Resistance

106Mohm Min.

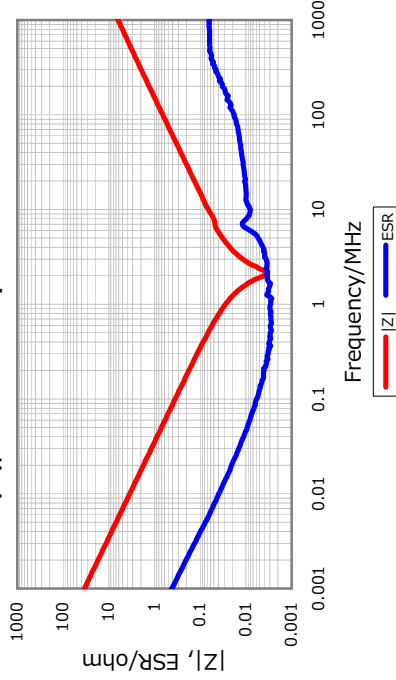
## AEC-Q200

Yes

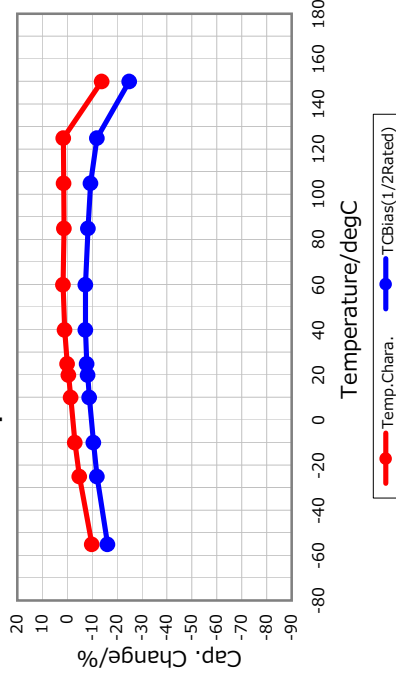
## DC Bias Characteristic



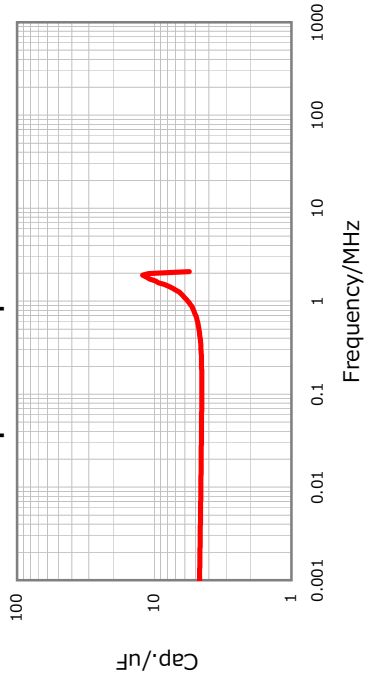
## |Z|, ESR vs. Freq. Characteristics



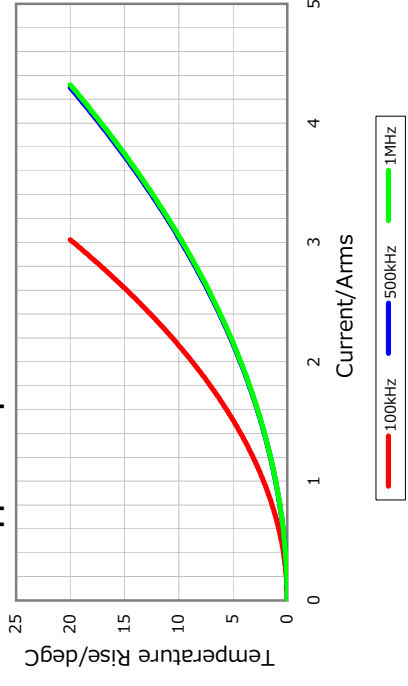
## Temperature Characteristics



## Cap. vs. Freq. Characteristic



## Ripple Temperature Rise Characteristics



All specifications are subject to change without notice.

January 4, 2016