

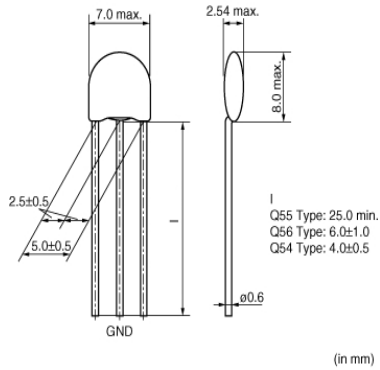
# DSN6NZ81H103Q55#

“#” indicates a package specification code.



< List of part numbers with package codes >  
DSN6NZ81H103Q55B

## Appearance & Shape



## Features

DS\_6 is a compact, high performance lead type EMI suppression filter which can be mounted 2.54mm pitch. Its three terminal structure enables precise high frequency performance.

## Applications

|             |             |
|-------------|-------------|
| Other Usage | For general |
|-------------|-------------|

## Packaging Information

| Packaging | Specifications | Standard Packing Quantity |
|-----------|----------------|---------------------------|
| B         | Bulk(Bag)      | 250                       |

### Attention

- 1.This datasheet is downloaded from the website of Murata Manufacturing Co., Ltd. Therefore, it's specifications are subject to change or our products in it may be discontinued without advance notice. Please check with our sales representatives or product engineers before ordering.
- 2.This datasheet has only typical specifications because there is no space for detailed specifications. Therefore, please review our product specifications or consult the approval sheet for product specifications before ordering.

# DSN6NZ81H103Q55#

“#” indicates a package specification code.



## Specifications

|                             |                          |
|-----------------------------|--------------------------|
| Shape                       | Lead                     |
| Length                      | 7.0mm                    |
| Length Tolerance            | max.                     |
| Width                       | 2.54mm                   |
| Width Tolerance             | max.                     |
| Thickness                   | 8.0mm                    |
| Thickness Tolerance         | max.                     |
| Rated Current               | 6A                       |
| Operating Temperature Range | -25°C to 85°C            |
| Mass(typ.)                  | 0.35g                    |
| Number of Circuit           | 1                        |
| Insulation Resistance(min.) | 5000MΩ                   |
| Rated Voltage               | 50Vdc                    |
| Withstanding Voltage        | 125Vdc                   |
| Capacitance                 | 10000pF                  |
| Capacitance Tolerance       | 80/-20%                  |
| Structure/Shape             | Small type without beads |

### Attention

1.This datasheet is downloaded from the website of Murata Manufacturing Co., Ltd. Therefore, it's specifications are subject to change or our products in it may be discontinued without advance notice. Please check with our sales representatives or product engineers before ordering.

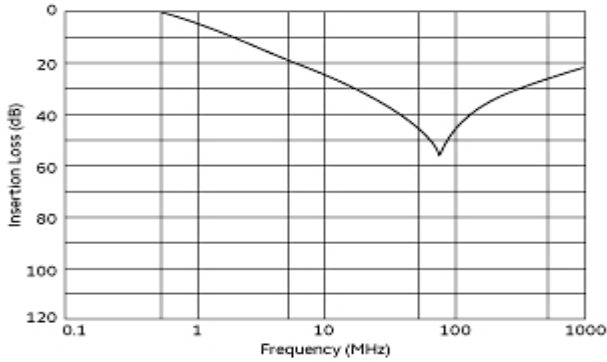
2.This datasheet has only typical specifications because there is no space for detailed specifications.

Therefore, please review our product specifications or consult the approval sheet for product specifications before ordering.

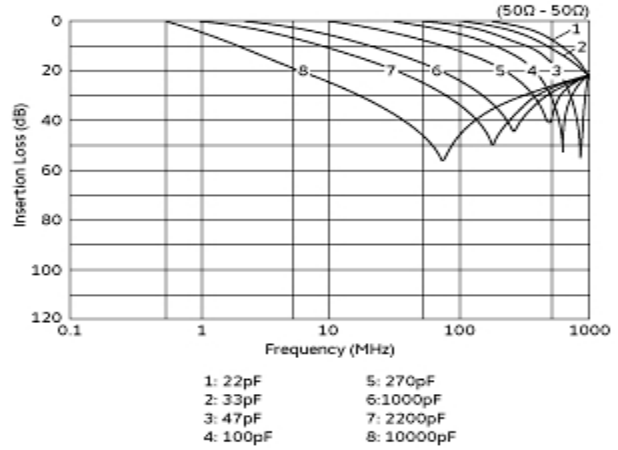
# DSN6NZ81H103Q55#

"#" indicates a package specification code.

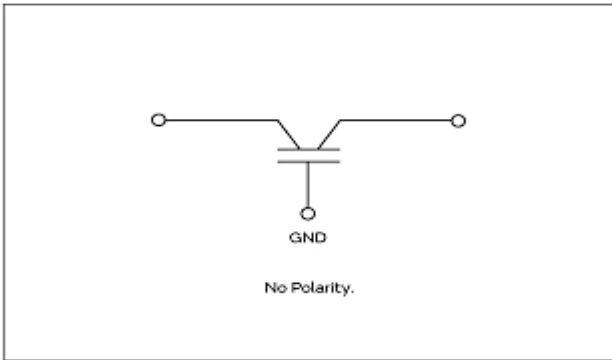
## Product Data



Insertion Loss Characteristics



Insertion Loss Characteristics (Main Items)



Equivalent Circuit

**Attention**

- 1.This datasheet is downloaded from the website of Murata Manufacturing Co., Ltd. Therefore, it's specifications are subject to change or our products in it may be discontinued without advance notice. Please check with our sales representatives or product engineers before ordering.
- 2.This datasheet has only typical specifications because there is no space for detailed specifications. Therefore, please review our product specifications or consult the approval sheet for product specifications before ordering.