

OBSOLETE:

FOR INFORMATION PURPOSES ONLY

Contact Linear Technology for Potential Replacement

FEATURES

- Two Regulated Outputs
 - +5V at 1 amp
 - +5V at 35mA
- 2% Output Voltage Tolerance
- 66 dB Ripple Rejection
- 0.5% Load Regulation
- TTL and CMOS Compatible Logic Control
- 100% Thermal Burn-in On All Devices

APPLICATIONS

- Power Supply Sequencing
- Remote On/Off Power Control
- Selective System Power During Emergency Power Operation
- Memory Power Supply With Back-Up

DESCRIPTION

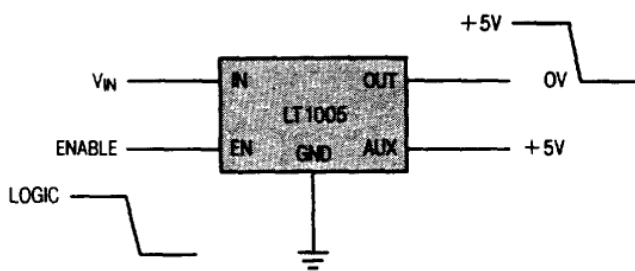
The LT1005 features two positive 5 volt regulators in the same package. The main regulator offers excellent performance while supplying load currents up to 1 amp, and the auxiliary regulator provides similar performance while supplying lighter loads of 35mA. The main regulator has the additional feature of being under the shutdown control of a logic signal. When the enable pin is taken to a low logic level, the main regulator shuts down and its output voltage goes to near zero volts. During this command, the auxiliary output is unaffected by the main regulator's condition and continues to provide a 5 volt output.

The main output has current and power limiting combined with thermal shutdown to make it virtually blow-out proof. The auxiliary output is not affected by the thermal shutdown mechanism or the state of the main output, allowing it to be used as a back-up in case of overloads or shorts on the main supply.

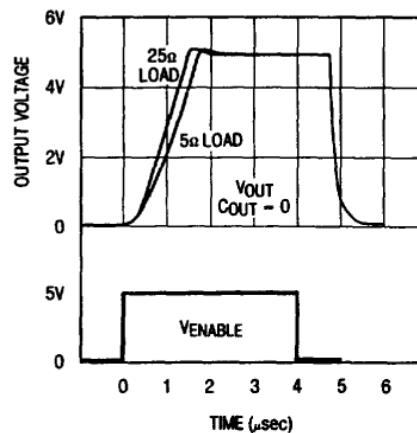
The logic input of the LT1005 (enable pin) has a 1.6V threshold and can be driven from a high source impedance. This allows it to be driven by most logic families, including TTL & CMOS.

4

Functional Diagram



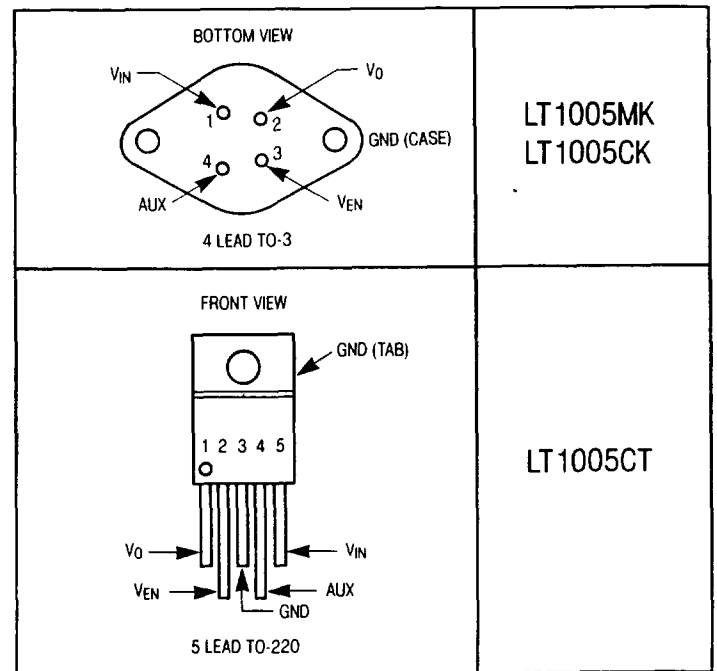
Switching Characteristics



ABSOLUTE MAXIMUM RATINGS

| | |
|---|--------------------|
| Power Dissipation | Internally Limited |
| Input Voltage (V_{IN}) | 20V |
| Enable Voltage (V_{EN}) | 20V |
| Operating Junction Temperature | |
| LT1005M | -55°C to 150°C |
| LT1005C | 0°C to 125°C |
| Storage | -65°C to 150°C |
| Lead Temperature (Soldering, 10 sec.) | 300°C |

PACKAGE/ORDER INFORMATION



PRECONDITIONING:

100% Burn-in in thermal limit

ELECTRICAL CHARACTERISTICS — MAIN REGULATOR (See Note 1)

| SYMBOL | PARAMETER | CONDITIONS | LT1005M | | | LT1005C | | | UNITS | |
|------------------------------------|--|--|---------|-------|------|---------|-------|------|-------|---|
| | | | MIN | TYP | MAX | MIN | TYP | MAX | | |
| V_0 | Output Voltage | $T_j = 25^\circ\text{C}$ | 4.9 | 5.0 | 5.1 | 4.9 | 5.0 | 5.1 | V | |
| | | High $7.4\text{V} \leq V_{IN} \leq 20\text{V}$ $P_d \leq 10\text{W}$ $0\text{mA} \leq I_0 \leq 1\text{A}$ | ● | 4.8 | 5.0 | 5.2 | 4.8 | 5.0 | 5.2 | V |
| | | Low $7.2\text{V} \leq V_{IN} \leq 20\text{V}$ $I_0 = 0$ | ● | | 0.1 | 0.3 | | 0.1 | 0.3 | V |
| $\frac{\Delta V_0}{\Delta I_0}$ | Load Regulation | $7.5\text{V} \leq V_{IN} \leq 15\text{V}$ $0\text{mA} \leq I_0 \leq 1\text{A}$ (Note 2) | ● | 5 | 25 | | 5 | 25 | mV | |
| $\frac{\Delta V_0}{\Delta V_{IN}}$ | Line Regulation | $7.4\text{V} \leq V_{IN} \leq 20\text{V}$ (Note 2) | | 0.3 | 2 | | 0.3 | 2 | mV/V | |
| | Ripple Rejection | $50\text{Hz} \leq f \leq 500\text{Hz}$ | | 66 | | | 66 | | dB | |
| | Thermal Regulation | $\Delta P_d = 10\text{W}$ (Note 4) | | 0.005 | 0.02 | | 0.005 | 0.02 | %/W | |
| I_0 | Available Load Current | $7.4\text{V} \leq V_{IN} \leq 15\text{V}$ $V_{IN} = 20\text{V}$ | | 1 | 1.7 | | 1 | 1.7 | A | |
| | | | | 0.7 | 1.3 | | 0.7 | 1.0 | A | |
| I_{SC} | Short Circuit Current | $7.0\text{V} \leq V_{IN} \leq 15\text{V}$ $V_{IN} = 20\text{V}$ | | | 1.5 | 2.5 | | 1.5 | 2.5 | A |
| | | | | | 1.2 | 2.0 | | 1.2 | 2.0 | A |
| V_{IN} | Minimum Input Voltage to Maintain Regulation | (Note 5) $I_0 = 0.2\text{A}$ $I_0 = 1.0\text{A}$ | ● | 7.0 | 6.5 | | 6.9 | 6.5 | V | |
| | | | ● | 7.5 | 7.0 | | 7.5 | 7.0 | V | |
| I_0 | Quiescent Current | Output High | | 2 | 4 | | 2 | 4 | mA | |
| | | Output Low | | 1.5 | 3 | | 1.5 | 4 | mA | |
| θ_{JC} | Thermal Resistance Junction to Case | TO-3 | | 3 | 4 | | 3 | 4 | °C/W | |
| | | TO-220 | | | | | 3 | 5 | °C/W | |

ELECTRICAL CHARACTERISTICS — AUXILIARY REGULATOR

(See Note 1)

| SYMBOL | PARAMETER | CONDITIONS | LT1005M | | | LT1005C | | | UNITS |
|------------------------------------|--|---|---------|-----|-----|---------|-----|------|-------|
| | | | MIN | TYP | MAX | MIN | TYP | MAX | |
| V_o | Output Voltage | $T_j = 25^\circ\text{C}$ | 4.9 | 5.0 | 5.1 | 4.9 | 5.0 | 5.1 | V |
| | | $7.0\text{V} \leq V_{IN} \leq 20\text{V}$ $0\text{mA} \leq I_o \leq 35\text{mA}$ | ● 4.8 | 5.0 | 5.2 | 4.8 | 5.0 | 5.2 | V |
| $\frac{\Delta V_o}{\Delta I_o}$ | Load Regulation | $7.0\text{V} \leq V_{IN} \leq 20\text{V}$ $0\text{mA} \leq I_o \leq 35\text{mA}$ (Note 2) | ● | 5 | 15 | 5 | 15 | mV | |
| $\frac{\Delta V_o}{\Delta V_{IN}}$ | Line Regulation | $7.0\text{V} \leq V_{IN} \leq 20\text{V}$ (Note 2) | | 0.2 | 1 | 0.2 | 1 | mV/V | |
| | Ripple Rejection | $50\text{Hz} \leq f \leq 500\text{Hz}$ | | 74 | | 74 | | dB | |
| I_{SC} | Short Circuit Current | $7.0\text{V} \leq V_{IN} \leq 20\text{V}$ | | 90 | 150 | 90 | 150 | mA | |
| V_{IN} | Minimum Input Voltage to Maintain Regulation | (Note 5) $I_o = 1\text{mA}$ | ● 6.5 | 6.1 | | 6.5 | 6.1 | V | |
| | | $I_o = 35\text{mA}$ | ● 6.9 | 6.5 | | 6.9 | 6.5 | V | |

4

ELECTRICAL CHARACTERISTICS — LOGIC CONTROL (See Note 1)

| SYMBOL | PARAMETER | CONDITIONS | LT1005M | | | LT1005C | | | UNITS |
|----------|--------------------------|---|---------|-----|------|---------|-----|------|---------------|
| | | | MIN | TYP | MAX | MIN | TYP | MAX | |
| V_{EN} | Enable Threshold Voltage | $7.0\text{V} \leq V_{IN} \leq 20\text{V}$ $T_j = 25^\circ\text{C}$ | ● 1.45 | 1.6 | 1.75 | 1.45 | 1.6 | 1.75 | V |
| | | | 1.3 | 1.6 | 1.85 | 1.3 | 1.6 | 1.85 | V |
| | Enable Pin Current | $V_{EN} \leq 1\text{V}$ (See Note 3) | 0 | | 150 | 0 | | 150 | μA |
| | | $V_{EN} \geq 2.4\text{V}$ | | 0 | 1 | | 0 | 1 | μA |

The ● denotes the specifications which apply over the full operating temperature range.

Note 1: Unless otherwise indicated, these specifications apply for $V_{IN} = 10\text{V}$, $I_o = 0\text{mA}$, and $T_j = 25^\circ\text{C}$.

Note 2: Line and load regulation are measured using a low duty cycle pulse, causing little change in the junction temperature. Effects due to thermal gradients and device heating must be taken into account separately.

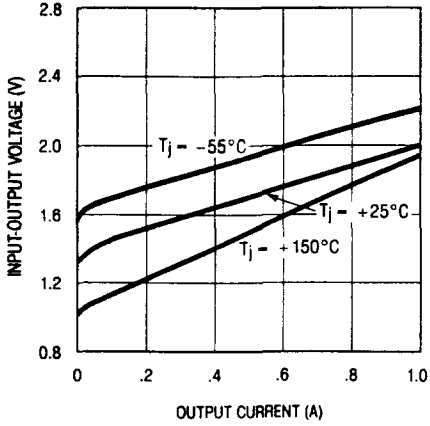
Note 3: When the enable pin is at a low logic level, current flows out of the enable pin.

Note 4: Pulse length for this measurement is 20msec.

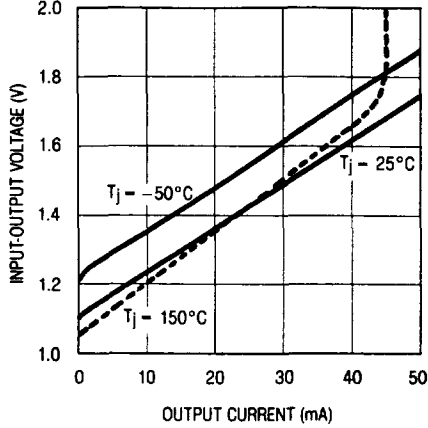
Note 5: Input Voltage is reduced until output drops by 100mV from its initial value.

TYPICAL PERFORMANCE CHARACTERISTICS

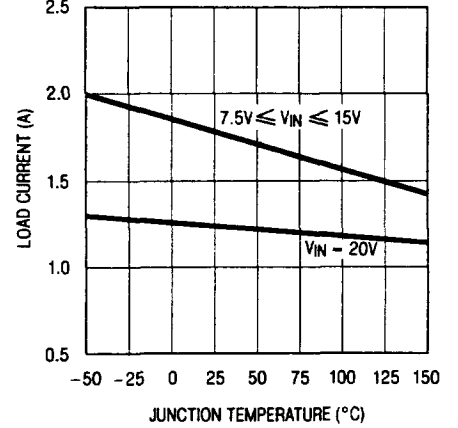
Minimum Input-Output Differential of Main Output



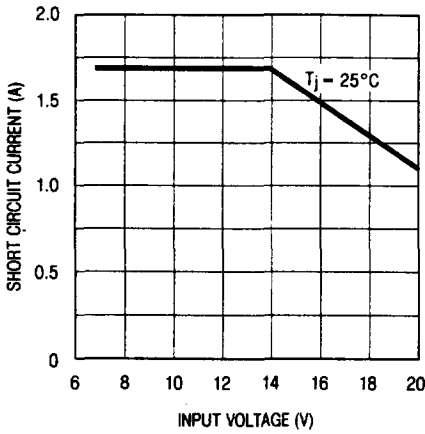
Minimum Input-Output Differential of Auxiliary Output



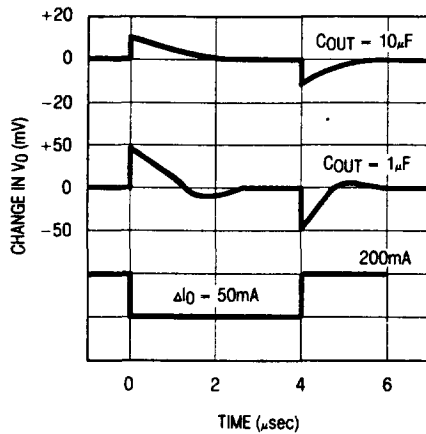
Maximum Available Load Current—Main Output



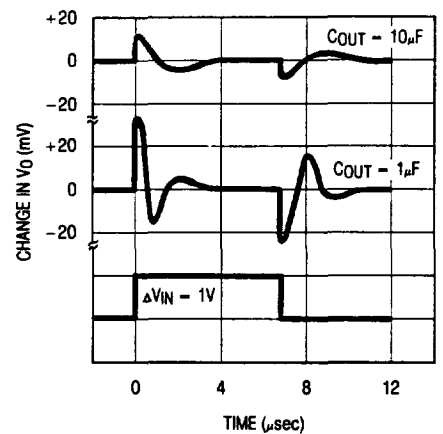
Short Circuit Output Current



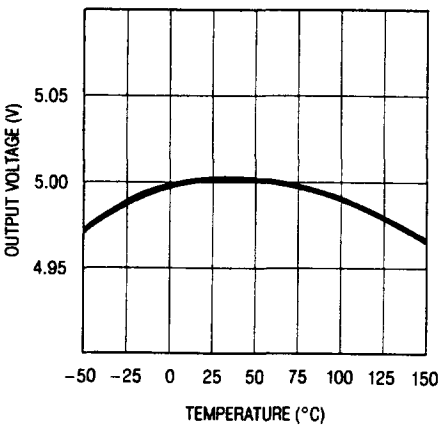
Load Transient Response of Main Output



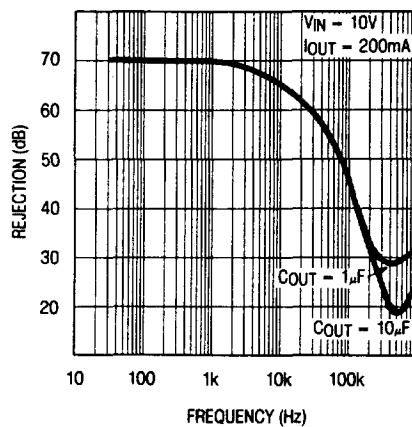
Line Transient Response of Main Output



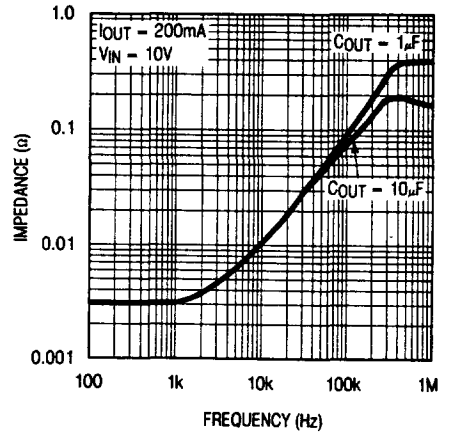
Output Voltage as Function of Temperature



Ripple Rejection

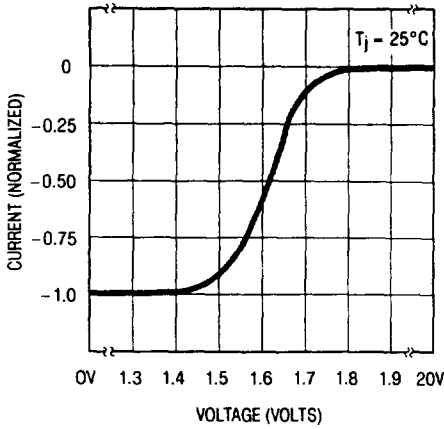


Output Impedance

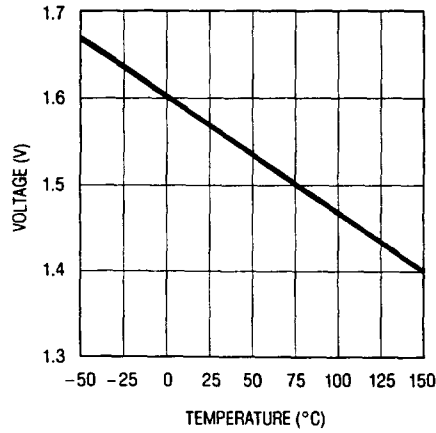


TYPICAL PERFORMANCE CHARACTERISTICS

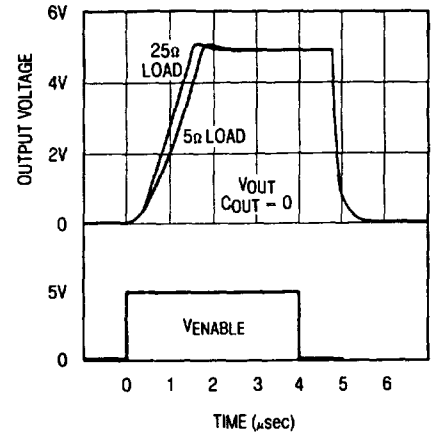
Enable Pin Characteristics



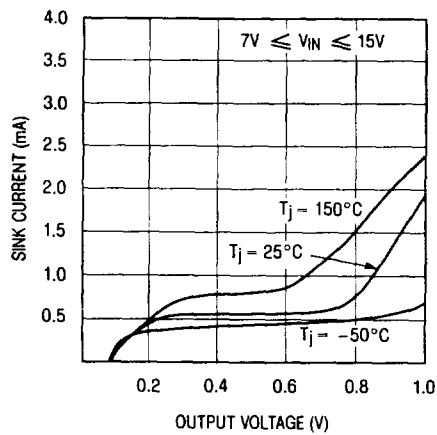
Enable Threshold



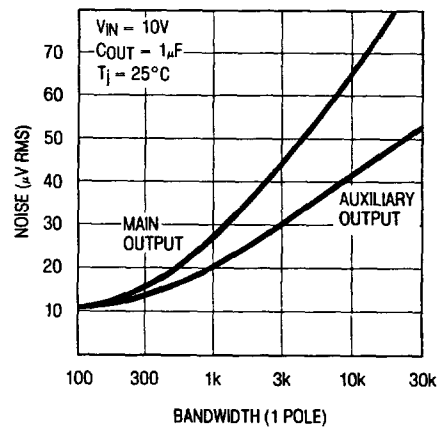
Switching Characteristics



Output Characteristics in Low State



Output Noise



4

APPLICATIONS INFORMATION

General Information

The LT1005 is a dual output 5V regulator. The main output is capable of delivering up to 1 amp of load current and can be shut down with a logic signal. The auxiliary output supplies a minimum of 35mA and is unaffected by the logic signal. The outputs are trimmed to $\pm 2\%$ initial tolerance and exhibit excellent line and load regulation.

The logic control feature makes the LT1005 ideal for many system applications where it is desirable to power up a portion of the system for a period of time and then power the system down during a standby operation. As an example, the LT1005 could be used to activate various memory space locations only as needed, thus saving substantial power dissipation and other cooling costs. The LT1005 could also be used to power micro-computers, such as the 8048 series. The auxiliary supply can be used for RAM keep-alive during power down operation. Additional power savings can be accomplished by using the LT1005 to power PROM, EPROM, and E²PROM devices. During program load, or look-up table operations the ROM type device can be activated and its' contents placed in RAM, and then the ROM power can be removed. Or for high speed but low power data acquisition systems, the power could be applied to fast memory, then the data transferred to CMOS memory. The main regulator can then be shutdown and the CMOS memory can be powered by the auxiliary for lower power dissipation. Other applications, such as multiple power supply sequencing, elimination of expensive AC and DC power switches, delayed start applications, switching 5V DC loads, and many others are now easily accomplished.

Timing functions can also be performed directly at the enable pin, such as delayed power-up or power-down.

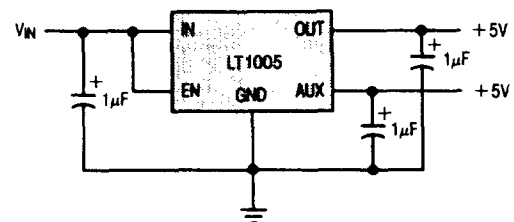
Because a logic low on the enable pin shuts down the main regulator, feedback from output to enable can be used to generate hysteresis or latching functions.

The low quiescent current drain of the LT1005 makes it useful in battery powered or battery back-up appli-

cations. The enable pin can be used as a "low battery" detector or to shut down major portions of system power, allowing memory portions to continue to operate from the auxiliary output. At low output currents, the auxiliary output will regulate with input voltage typically as low as 6.1V, giving maximum battery life.

Good design practice with all regulators is to bypass the input and output terminals. A $1\mu\text{F}$ solid tantalum at the input and at both outputs is suggested. For the applications which follow, the bypass capacitors are still recommended, but are not shown on the diagram for simplicity. It is also recommended that for maximum noise immunity, the voltage enable pin be tied high if it is unused. It can be tied directly to V_{IN} as shown in Figure 1, or to the auxiliary output. If the enable pin is left open, it will float to a high logic level of approximately 1.6V and the main output regulator will be at 5V.

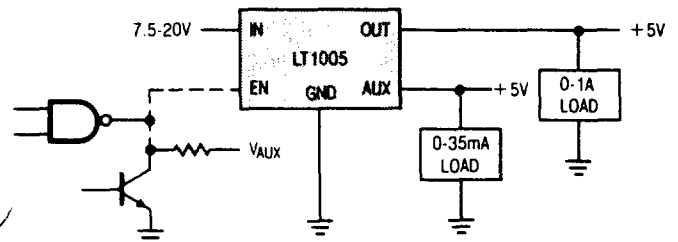
Figure 1.



The enable pin is fully protected against input voltages up to 20 volts, even if the power input voltage is zero.

The basic shutdown control circuit uses a direct gate drive or an open collector driver and a pull-up resistor which is tied to V_{AUX} as shown in Figure 2.

Figure 2.



Driving the Enable Pin

The enable pin equivalent schematic is shown in Fig. 3. Basically, enable pin current is zero above the threshold, and between 2 and 70 μ A below the threshold, flowing out of the pin. Standard logic, such as TTL & CMOS will interface directly to the enable pin, even if the logic output swing is higher than the input voltage (V_{IN}) to the regulator. 15V CMOS can be used to drive the enable pin even if the regulator is not powered up, without loading the CMOS output.

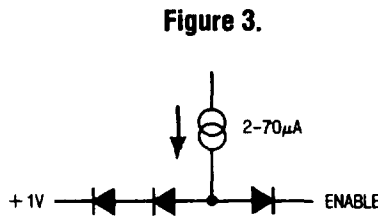


Figure 3.

Timing functions, such as delayed power-up or power-down can be implemented by driving the enable pin with an RC network. The current flowing out of the enable pin should not be used as the timing current in delayed power up applications, as it is temperature sensitive and varies somewhat from device to device. Instead, a resistor tied to the auxiliary output, the input, or to a logic signal should be used. The timing resistor chosen should provide at least 500 μ A of current to "swamp-out" the effects of the internal current.

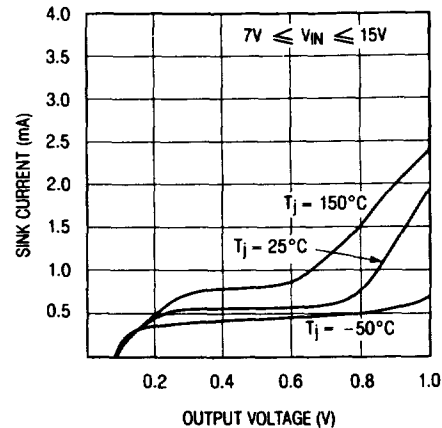
Main Output Current/Voltage Characteristics

Following a high to low transition at the enable pin, the main regulator output will begin to drop after a delay of approximately 1 μ sec. With no capacitive load, the output will fall to zero in approximately 0.5 μ sec ($R_L = 5-100\Omega$). With a capacitive load, fall time is limited by the RC product of the load and the output capacitance. For light loads ($R_L > 100\Omega$), the discharge time is controlled by an internal equivalent load of 200 Ω for output voltages down to 1 volt. Below 1 volt, the output decays linearly, with a slope equivalent to the load capacitance and a pull down current of approximately 0.5mA. The DC output voltage in the shutdown mode is approximately 0.1 volt for input voltages (V_{IN}) up to

15V. If V_{IN} is 20V, the output during shutdown will be approximately 0.2V due to an internal current path in the regulator (see Figure 4).

Figure 4.

Output Characteristics in Low State



The user should note that the output in the low state can only sink about 0.5mA. If current is forced into the output, the output voltage will rise to 0.8V at 1mA and above 1V at 10mA. With no output capacitor, the rise time of the main output is about 1.5 μ s. With an output capacitor, rise time is limited by the short circuit current of the LT1005 and the load capacitance; $t_r \approx (C)(5V)/(1.5A)$. A 1 μ F output capacitor slows the output rise time to approximately 3 μ s and a 10 μ F output capacitor slows the output rise time to 30 μ s.

Output Current

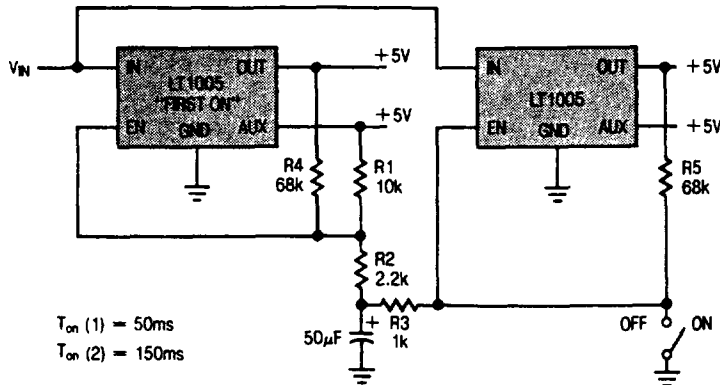
The main output current limits at about 1.7A for input voltages below 19V. Internal foldback, or "power limiting" circuitry detects the input-output voltage differential and reduces current limit for input to output voltages exceeding 14V. With 20V input, for instance, short circuit current is reduced to $\approx 1.1A$.

An additional feature of the LT1005 is that the auxiliary supply does not incorporate nor is it affected by thermal shutdown. Any fault condition of the main regulator will not affect the auxiliary output voltage.

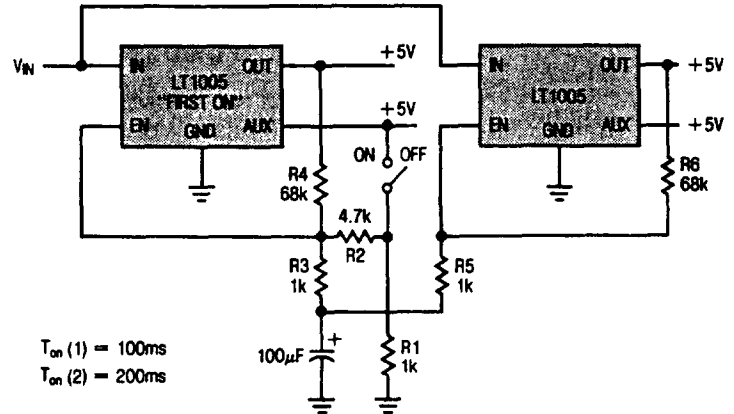
The following applications circuits will serve to indicate the versatility of the LT1005.

TYPICAL APPLICATIONS

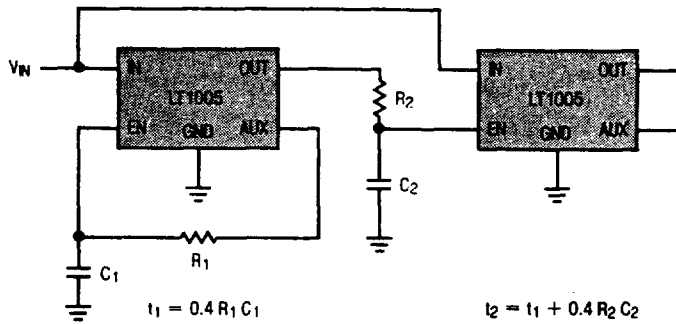
First-On, Last-Off Sequencing



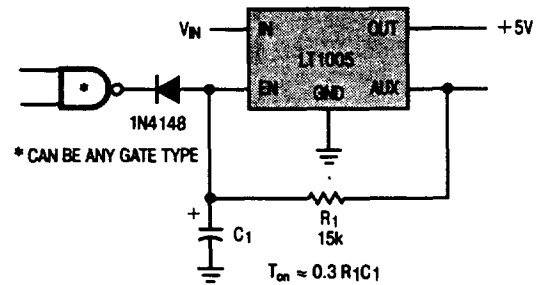
First-On, First-Off Sequencing



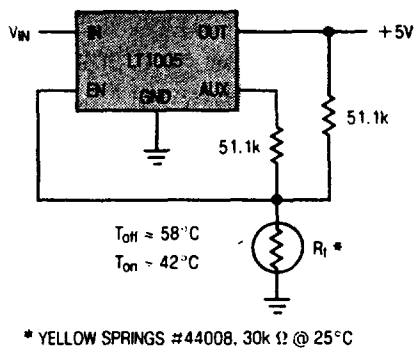
Power Supply Turn-On Sequencing



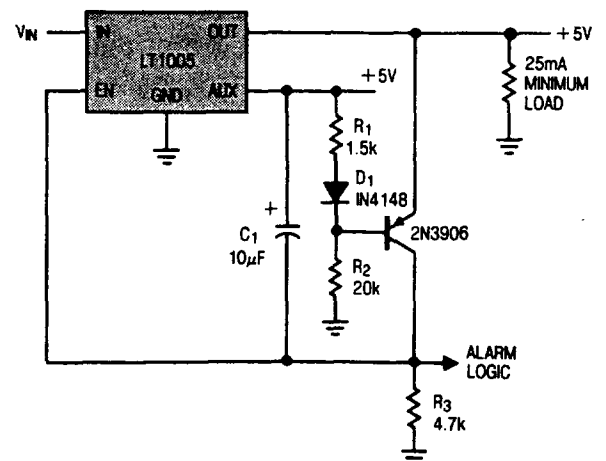
Fast Turn-Off, Delayed Turn-On



Thermal Cutoff at High Ambient Temperature

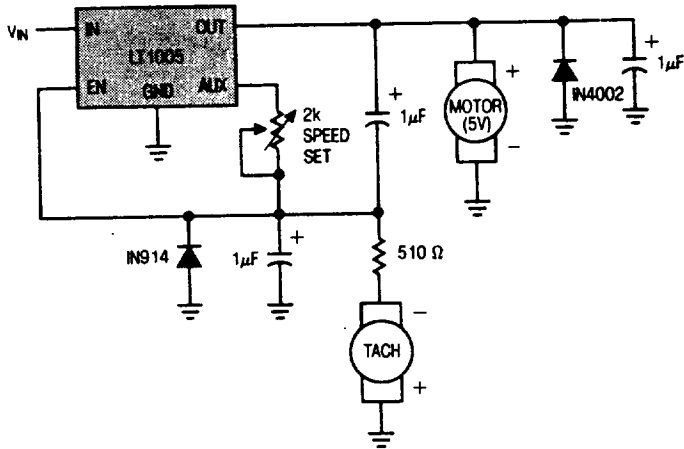


Latch-Off for $V_{out} \leq 4.7\text{V}$

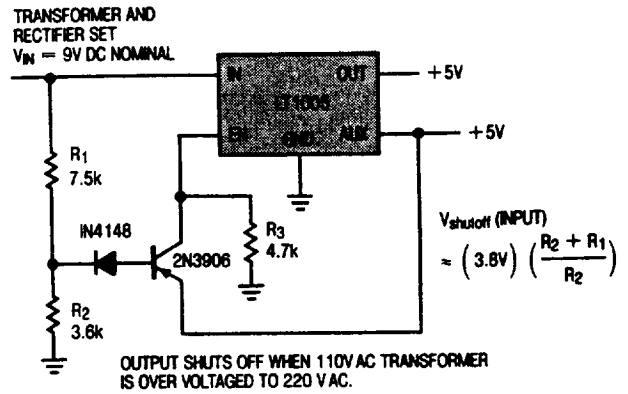


TYPICAL APPLICATIONS

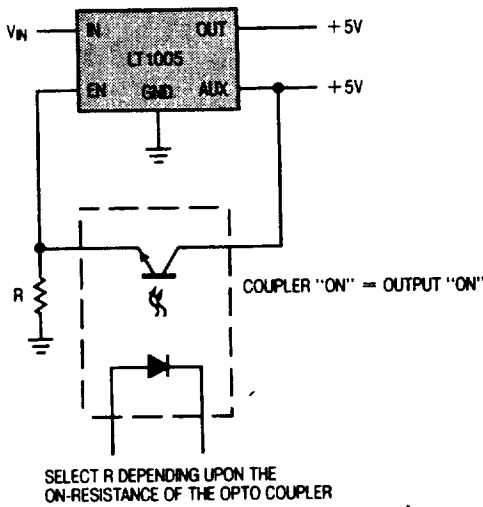
Proportional Motor Speed Controller



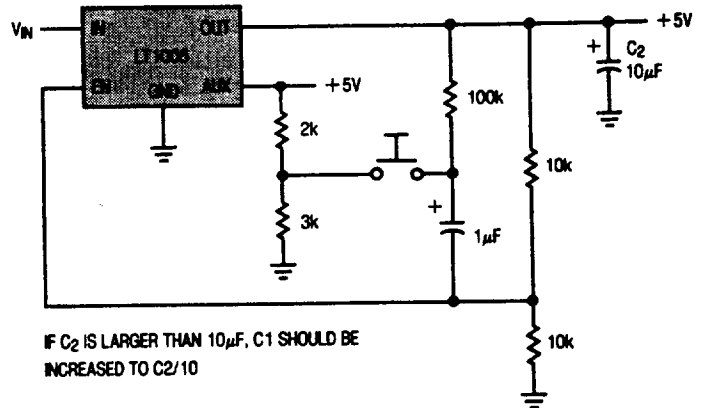
High Input Voltage Detection



Opto-Coupled Output Control

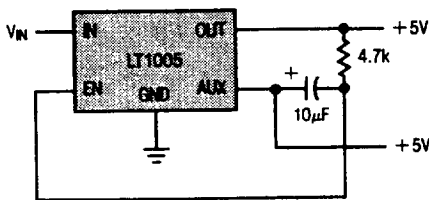


Push-On, Push-Off

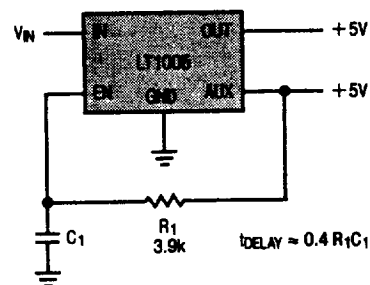


4

Latch-Off When Output Short

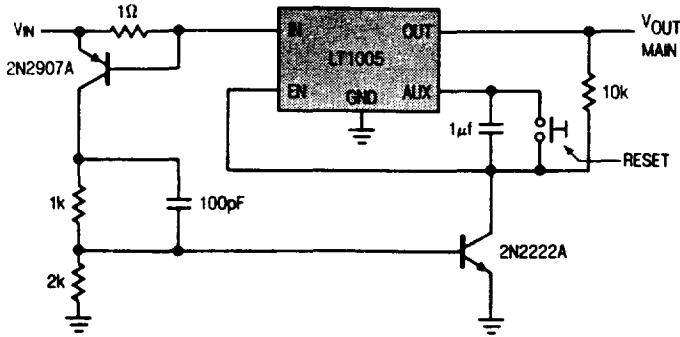


Delayed Power Up

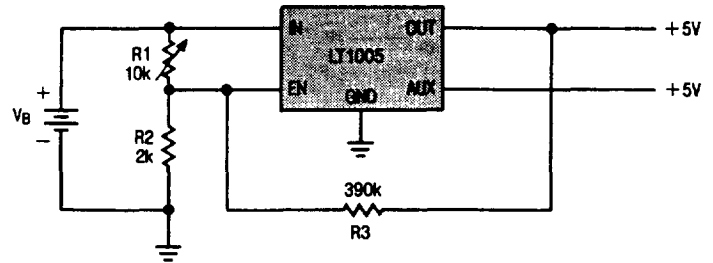


TYPICAL APPLICATIONS

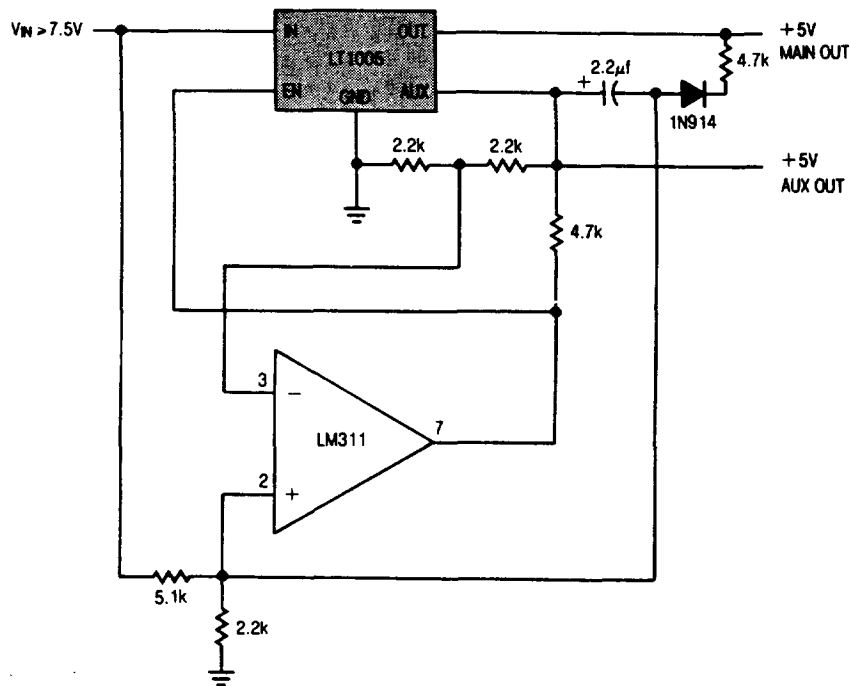
Fast Electronic Circuit Breaker



Battery Voltage Sensing Circuit



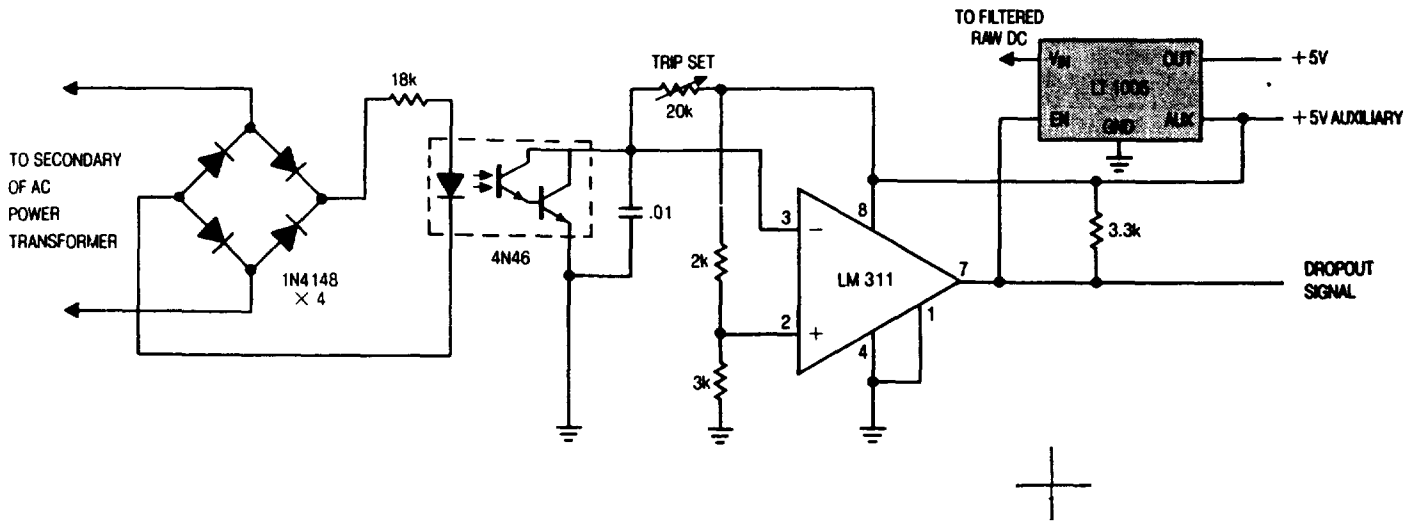
Memory Save-on-Power-Down



The auxiliary output powers the memory, while the main output powers the system and is connected to the memory store pin. When power goes down, the main output goes low, commanding the memory to store. The auxiliary output then drops out.

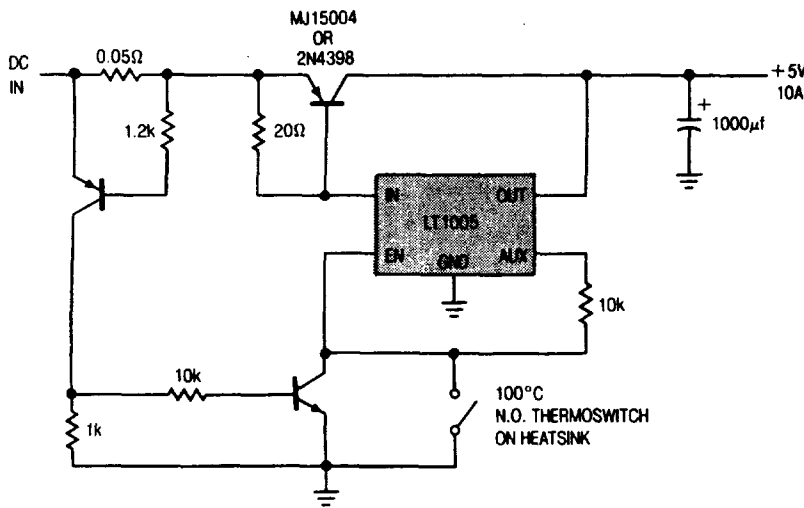
TYPICAL APPLICATIONS

Line Dropout Detector

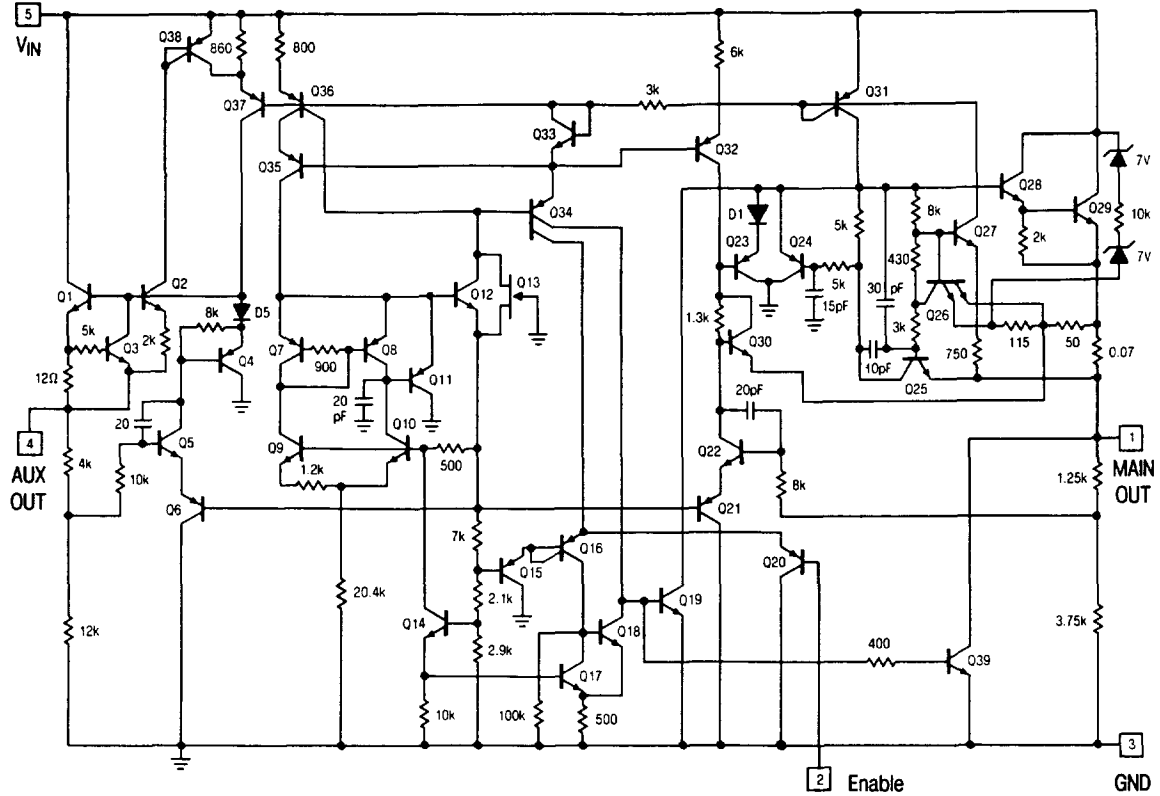


4

10 Amp Regulator with Current and Thermal Protection

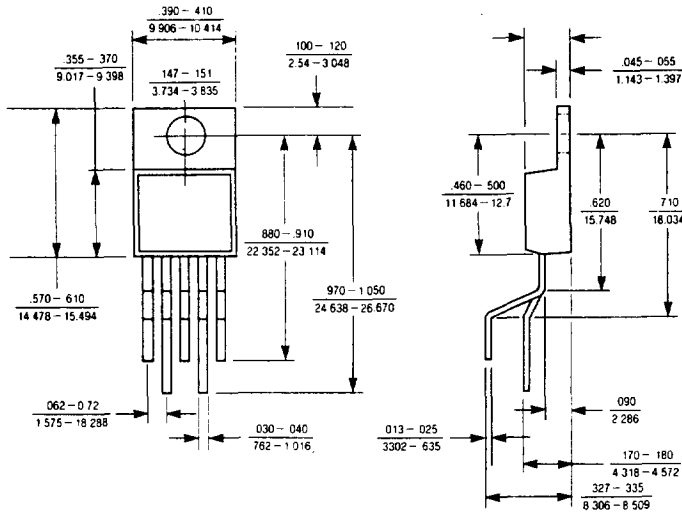


SCHEMATIC DIAGRAM

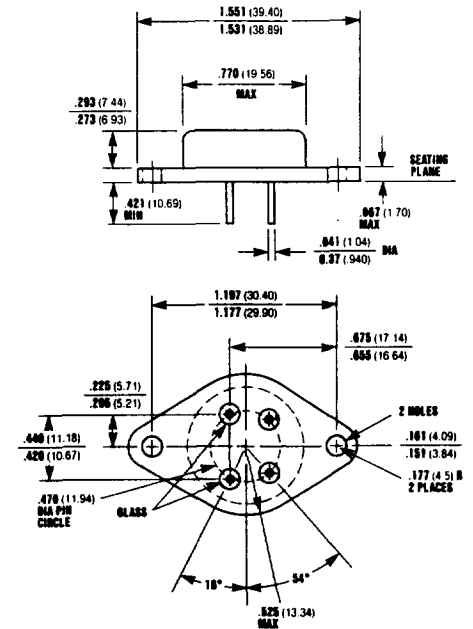


PACKAGE DESCRIPTION

TO-220 PACKAGE (5 LEAD)



4-Pin Metal Package Similar to JEDEC TO-3



All dimensions in inches **bold** and millimeters (parentheses)

| | T _{JMAX} | θ _{JC} |
|---------|-------------------|-----------------|
| LT1005C | 125°C | 5°C/W |

| | T _{JMAX} | θ _{JC} |
|---------|-------------------|-----------------|
| LT1005M | 150°C | 4°C/W |
| LT1005C | 125°C | 4°C/W |