

C4532X7R2J104K230KM

TDK Item Description : C4532X7R2J104KT5***



Application & Main Feature

Commercial Grade (Open Mode)

Series

C4532 [EIA CC1812]

Dimensions

L	4.50mm	+/-0.4mm
W	3.20mm	+/-0.4mm
T	2.30mm	+/-0.2mm
B	0.20mm Min.	
G		

Temperature Characteristic

X7R (-55 to 125 degC +/-15%)

Rated Voltage

2J (630Vdc)

Capacitance

100nF

Capacitance Tolerance

K (+/-10%)

Dissipation Factor

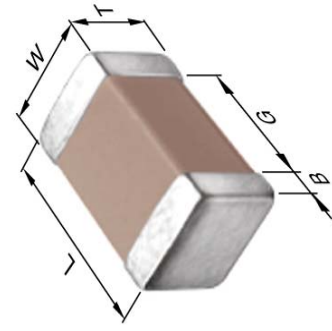
3% Max.

Insulation Resistance

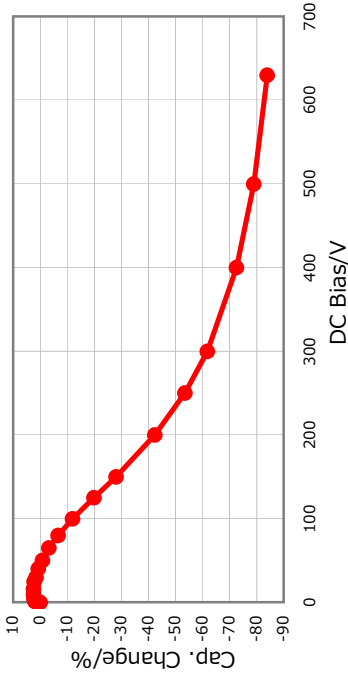
500Mohm Min.

AEC-Q200

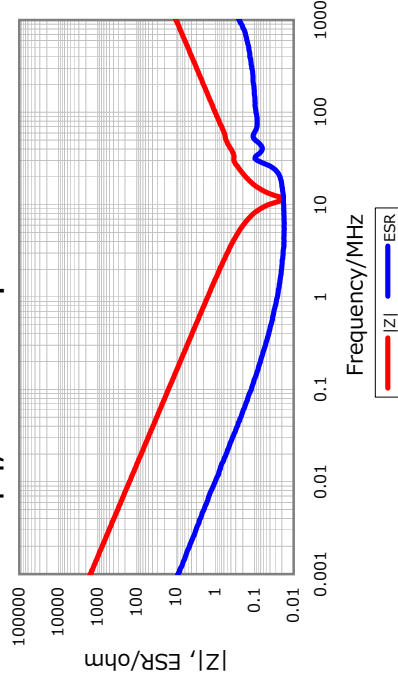
Not Applicable



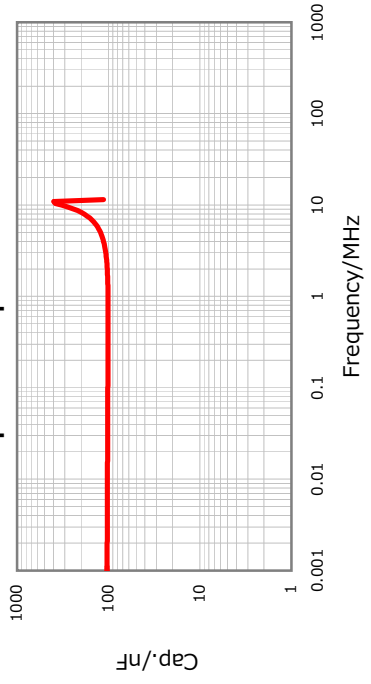
DC Bias Characteristic



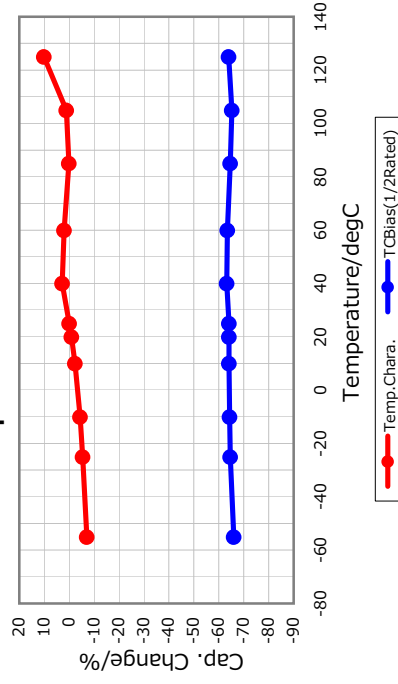
|Z|, ESR vs. Freq. Characteristics



Cap. vs. Freq. Characteristic



Temperature Characteristics



Ripple Temperature Rise Characteristics

