

# CGA7K1X7R3D102M130KA

TDK Item Description : CGA7K1X7R3D102MT\*\*\*\*

Equivalent C4520X7R3D102M for Automotive

## Application & Main Feature

Automotive Grade ( High Voltage (1000V and over) )

## Series

CGA7(4520) [EIA CC1808]

### Dimensions

L	4.50mm	+/-0.4mm
W	2.00mm	+/-0.2mm
T	1.30mm	+/-0.2mm
B	0.20mm Min.	
G		

### Temperature Characteristic

X7R (-55 to 125 degC +/-15%)

### Rated Voltage

3D (2000Vdc)

### Capacitance

1nF

### Capacitance Tolerance

M (+/-20%)

### Dissipation Factor

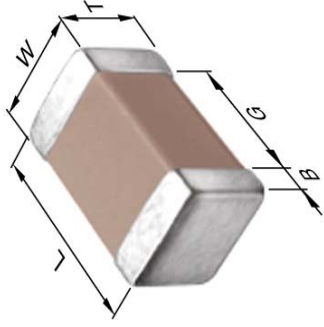
3% Max.

### Insulation Resistance

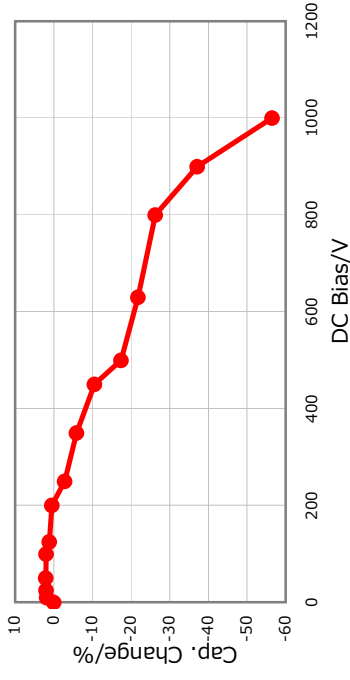
10Gohm Min.

### AEC-Q200

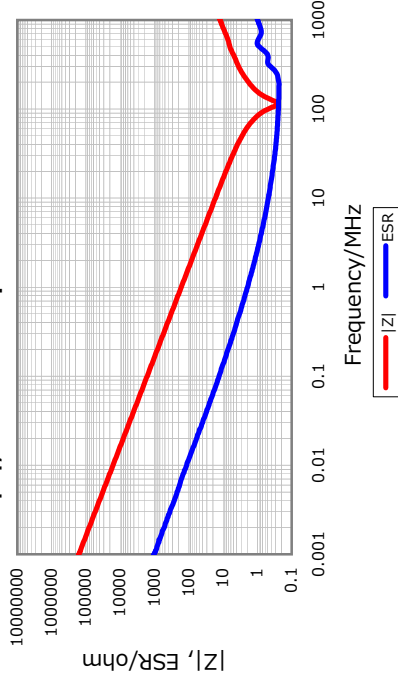
Not Applicable



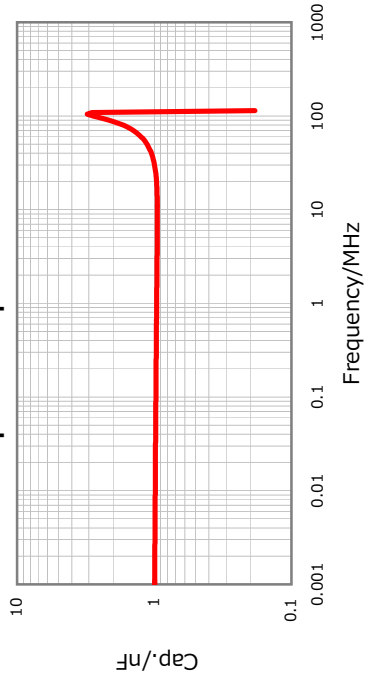
## DC Bias Characteristic



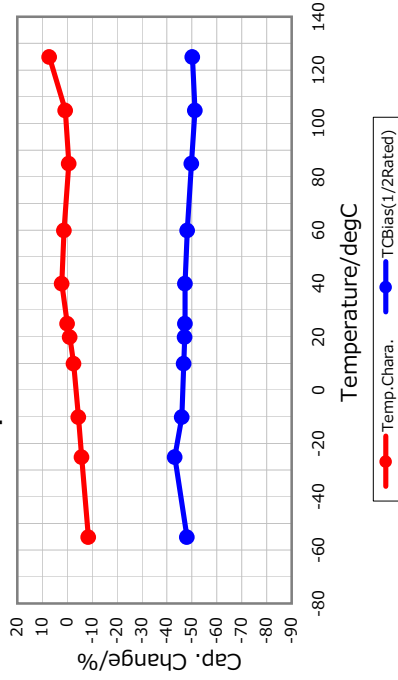
## |Z|, ESR vs. Freq. Characteristics



## Cap. vs. Freq. Characteristic



## Temperature Characteristics



## Ripple Temperature Rise Characteristics

