

NFA18SD187X1A45#

“#” indicates a package specification code.

In Production

RoHS

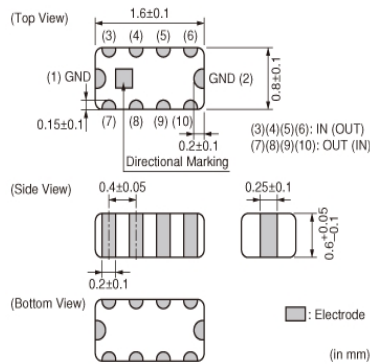
REACH

< List of part numbers with package codes >

NFA18SD187X1A45B

NFA18SD187X1A45L

Appearance & Shape



Features

1. NFA18SD series is LC combined noise suppression filter whose noise suppression curve is very steep and deep in spite of its small shape.
2. This product has additional function as common mode choke coil at low frequency range, also works as a LC filter at high frequency range. This combination results good noise suppression effect without the affection to differential signal waveform.
3. This product has good noise suppression effect from 470MHz (for digital TV) to 2GHz. (for mobile phone) This function improves the sensibility of digital TVs or mobile phones.
4. Four circuits are built in 1.6x0.8mm chip size, it saves the large amount of mounting space.

■Application

Noise suppression of differential signal
Noise suppression of LCD signal lines,
camera module lines.

Applications

| | |
|-------------|-------------|
| Other Usage | For general |
|-------------|-------------|

Packaging Information

| Packaging | Specifications | Standard Packing Quantity |
|-----------|---------------------|---------------------------|
| B | Bulk(Bag) | 1000 |
| L | 180mm Embossed Tape | 4000 |

Attention

1.This datasheet is downloaded from the website of Murata Manufacturing Co., Ltd. Therefore, it's specifications are subject to change or our products in it may be discontinued without advance notice. Please check with our sales representatives or product engineers before ordering.

2.This datasheet has only typical specifications because there is no space for detailed specifications.

Therefore, please review our product specifications or consult the approval sheet for product specifications before ordering.

NFA18SD187X1A45#

“#” indicates a package specification code.



Specifications

| | |
|-----------------------------|--|
| Shape | SMD |
| Size Code (in inch) | 0603 |
| Length | 1.6mm |
| Length Tolerance | ±0.1mm |
| Width | 0.8mm |
| Width Tolerance | ±0.1mm |
| Thickness | 0.6mm |
| Thickness Tolerance | +0.05/-0.1mm |
| Operating Temperature Range | -40°C to 85°C |
| Mass(typ.) | 0.004g |
| Number of Circuit | 4 |
| Rated Current | 25mA |
| Rated Voltage | 10Vdc |
| Withstanding Voltage | 30Vdc |
| Insulation Resistance(min.) | 1000MΩ |
| Insertion Loss | 6dB max.(at Cut-off Frequency), 15dB min.(at 500MHz), 20dB min.(at 900MHz), 20dB min.(at 1500MHz), 20dB min.(at 2000MHz) |
| Nominal Cut-off Frequency | 180MHz |
| Size Code (in mm) | 1608 |

Attention

1.This datasheet is downloaded from the website of Murata Manufacturing Co., Ltd. Therefore, it's specifications are subject to change or our products in it may be discontinued without advance notice. Please check with our sales representatives or product engineers before ordering.

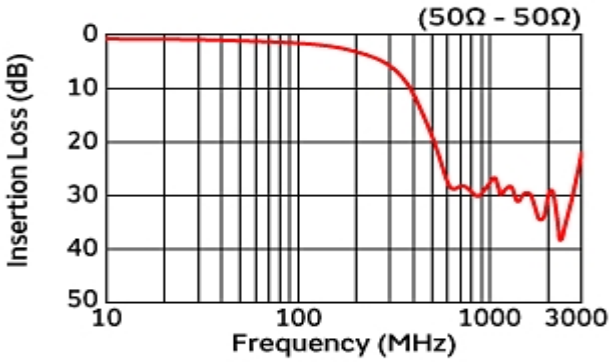
2.This datasheet has only typical specifications because there is no space for detailed specifications.

Therefore, please review our product specifications or consult the approval sheet for product specifications before ordering.

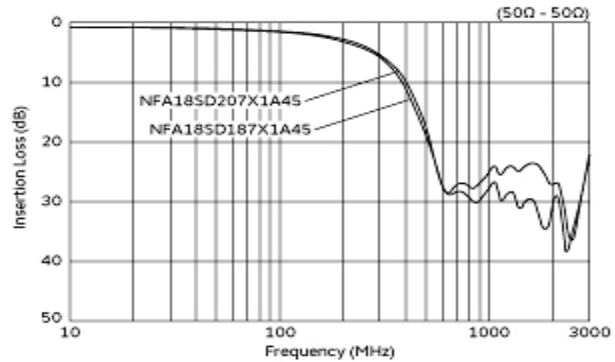
NFA18SD187X1A45#

“#” indicates a package specification code.

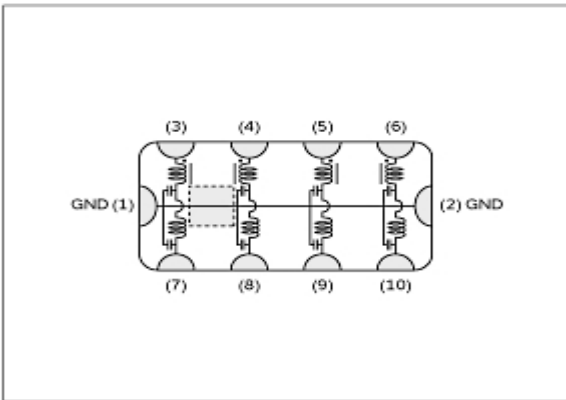
Product Data



Insertion Loss Characteristics



Insertion Loss Characteristics (Main Items)



Equivalent Circuit

Attention

- 1.This datasheet is downloaded from the website of Murata Manufacturing Co., Ltd. Therefore, it's specifications are subject to change or our products in it may be discontinued without advance notice. Please check with our sales representatives or product engineers before ordering.
- 2.This datasheet has only typical specifications because there is no space for detailed specifications. Therefore, please review our product specifications or consult the approval sheet for product specifications before ordering.