

CGA3E2X8R1H332M080AD

TDK Item Description : CGA3E2X8R1H332MT***B

Equivalent C1608X8R1H332M for Automotive

Application & Main Feature

Automotive Grade (Conductive Epoxy Application)

Series

CGA3(1608) [EIA CC0603]

Dimensions

| | | |
|---|--------|-----------|
| L | 1.60mm | +/-0.15mm |
| W | 0.80mm | +/-0.15mm |
| T | 0.80mm | +/-0.15mm |
| B | 0.20mm | Min. |
| G | 0.30mm | Min. |

Temperature Characteristic

X8R (-55 to 150 degC +/-15%)

Rated Voltage

1H (50Vdc)

Capacitance

3.3nF

Capacitance Tolerance

M (+/-20%)

Dissipation Factor

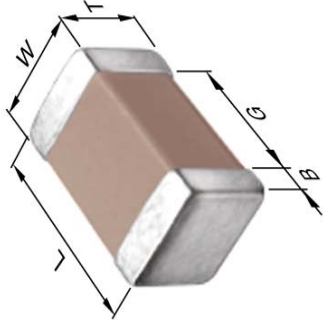
3% Max.

Insulation Resistance

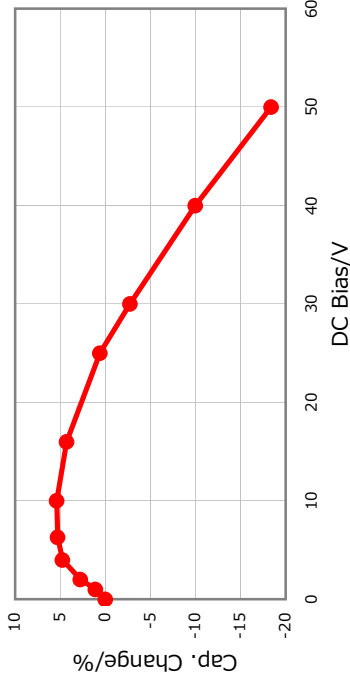
10Gohm Min.

AEC-Q200

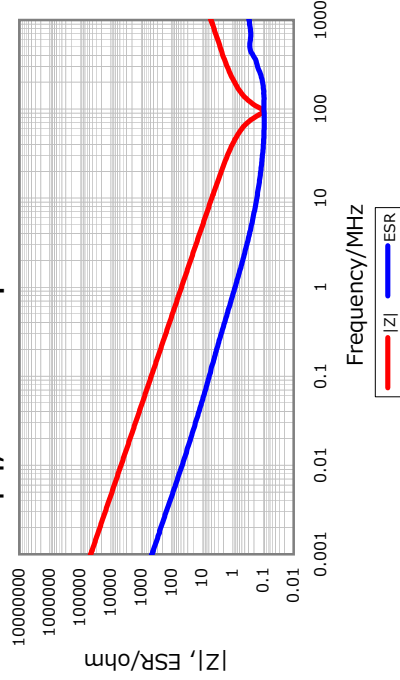
Yes



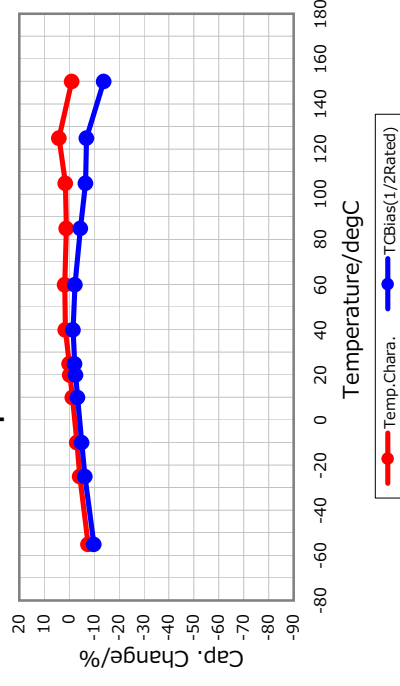
DC Bias Characteristic



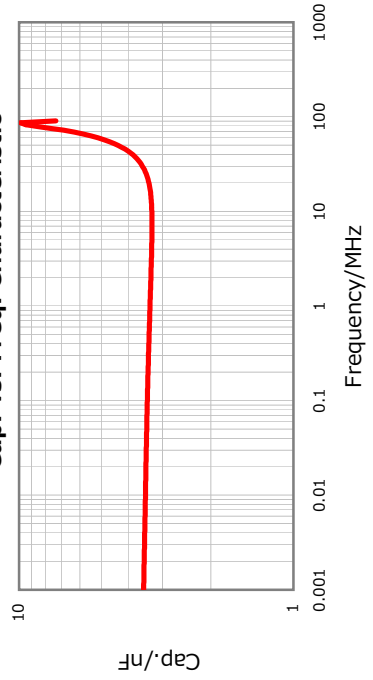
|Z|, ESR vs. Freq. Characteristics



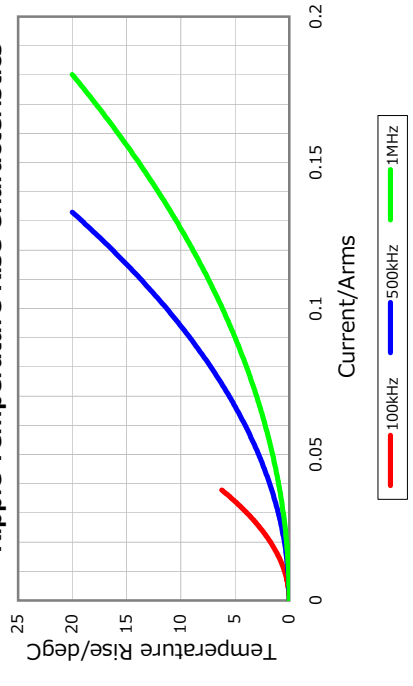
Temperature Characteristics



Cap. vs. Freq. Characteristic



Ripple Temperature Rise Characteristics



All specifications are subject to change without notice.

January 4, 2016

