

NFA18SL307V1A45#

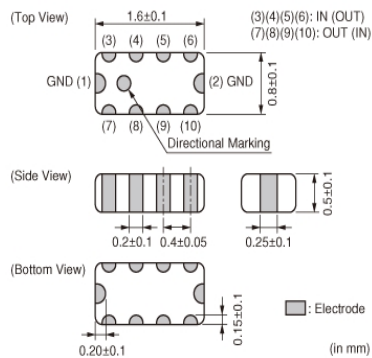
“#” indicates a package specification code.



< List of part numbers with package codes >

NFA18SL307V1A45B NFA18SL307V1A45L

Appearance & Shape



Features

Features

- NFA18SL series is LC combined EMI filter whose feature is compact size, steep and deep insertion loss curve.
- [Cutoff frequency 300MHz, 400MHz, 480MHz type]
Good noise suppression effect at frequency range over 800MHz, which are important to improve sensitivity of mobile phones. This feature enables effective noise suppression at LCD lines or camera module lines. [Cutoff frequency 50MHz, 130MHz, 180MHz, 200MHz type]
This type also have good performance at UHF band in addition to products mentioned above. This feature is suitable to improve sensitivity of digital TVs. [Cutoff frequency 220MHz type]
This type is improved the performance at frequency range from 800MHz to 3GHz in addition to products mentioned above. [Cutoff frequency 350MHz type]
Reduced capacitance to 4pF typ. This enables low impact to signal waveform and high noise suppression performance.
- Various cutoff frequency has made to control rise time and fall time of waveform.
- 4 circuits are installed in compact shape of 1.6x0.8mm. Greatly reduces footprint.

Applications

Other Usage	For general
-------------	-------------

Packaging Information

Packaging	Specifications	Standard Packing Quantity
B	Bulk(Bag)	1000
L	180mm Embossed Tape	4000

Application

Noise suppression in LCD lines, camera module lines.

Attention

- This datasheet is downloaded from the website of Murata Manufacturing Co., Ltd. Therefore, it's specifications are subject to change or our products in it may be discontinued without advance notice. Please check with our sales representatives or product engineers before ordering.
- This datasheet has only typical specifications because there is no space for detailed specifications. Therefore, please review our product specifications or consult the approval sheet for product specifications before ordering.

NFA18SL307V1A45#

“#” indicates a package specification code.



Specifications

Shape	SMD
Size Code (in inch)	0603
Length	1.6mm
Length Tolerance	±0.1mm
Width	0.8mm
Width Tolerance	±0.1mm
Thickness	0.5mm
Thickness Tolerance	±0.1mm
Operating Temperature Range	-55°C to 125°C
Mass(typ.)	0.004g
Number of Circuit	4
Rated Current	100mA
Rated Voltage	10Vdc
Withstanding Voltage	30Vdc
Insulation Resistance(min.)	1000MΩ
Insertion Loss	6dB max.(at Cut-off Frequency),20dB min.(at 800MHz),20dB min.(at 900MHz)
Nominal Cut-off Frequency	300MHz
Size Code (in mm)	1608

Attention

1.This datasheet is downloaded from the website of Murata Manufacturing Co., Ltd. Therefore, it's specifications are subject to change or our products in it may be discontinued without advance notice. Please check with our sales representatives or product engineers before ordering.

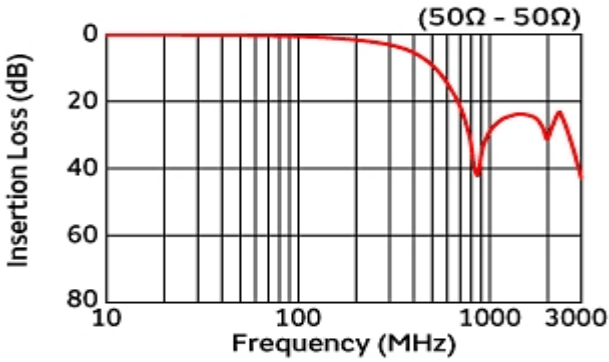
2.This datasheet has only typical specifications because there is no space for detailed specifications.

Therefore, please review our product specifications or consult the approval sheet for product specifications before ordering.

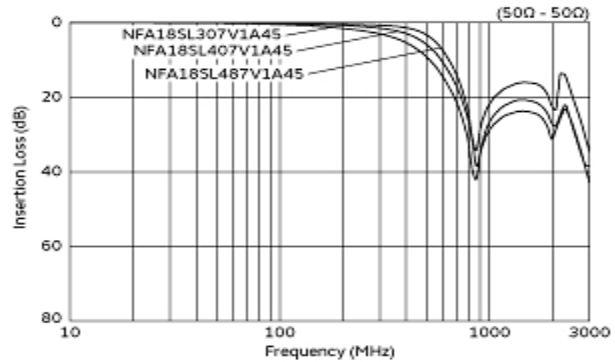
NFA18SL307V1A45#

“#” indicates a package specification code.

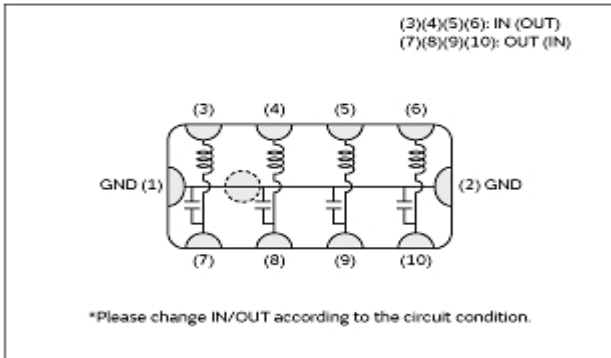
Product Data



Insertion Loss Characteristics



Insertion Loss Characteristics (Main Items)



Equivalent Circuit

Attention

- 1.This datasheet is downloaded from the website of Murata Manufacturing Co., Ltd. Therefore, it's specifications are subject to change or our products in it may be discontinued without advance notice. Please check with our sales representatives or product engineers before ordering.
- 2.This datasheet has only typical specifications because there is no space for detailed specifications. Therefore, please review our product specifications or consult the approval sheet for product specifications before ordering.