

C2012X7R2A683K085AA

TDK Item Description : C2012X7R2A683KT****

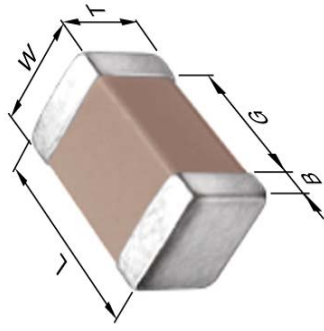


Application & Main Feature

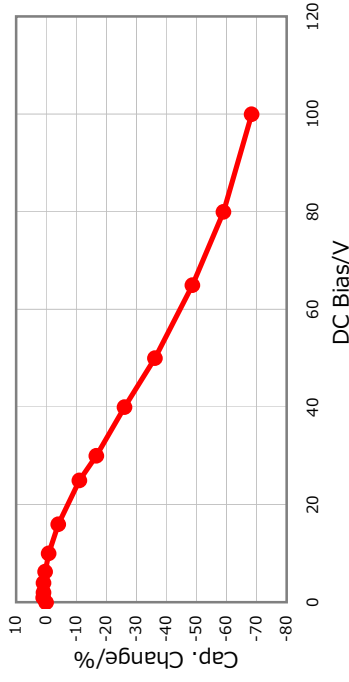
Commercial Grade (Mid Voltage (100 to 630V))

Series

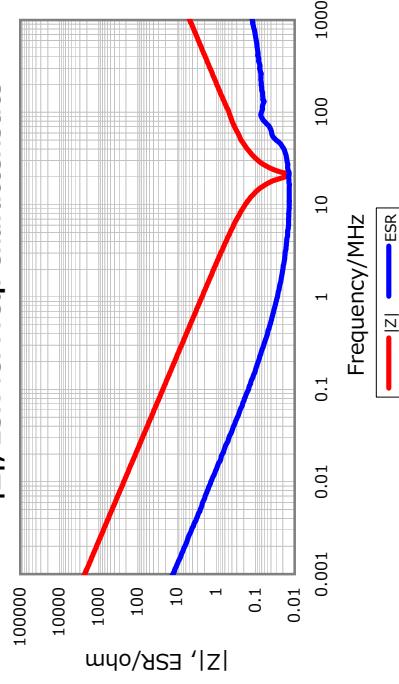
C2012 [EIA CC0805]



DC Bias Characteristic



|Z|, ESR vs. Freq. Characteristics



Temperature Characteristic

X7R (-55 to 125 degC +/-15%)

Rated Voltage

2A (100Vdc)

Capacitance

68nF

Capacitance Tolerance

K (+/-10%)

Dissipation Factor

3% Max.

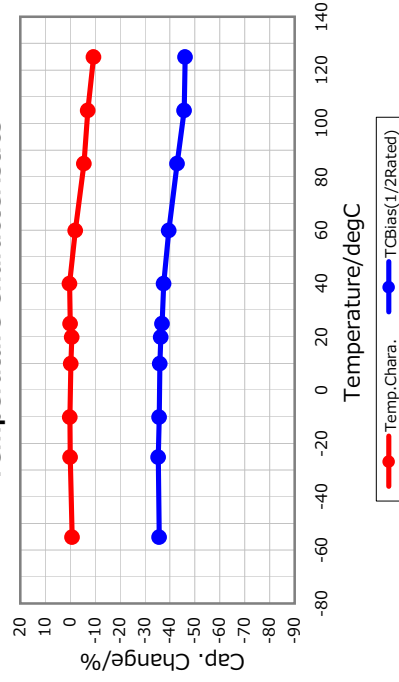
Insulation Resistance

7.35Gohm Min.

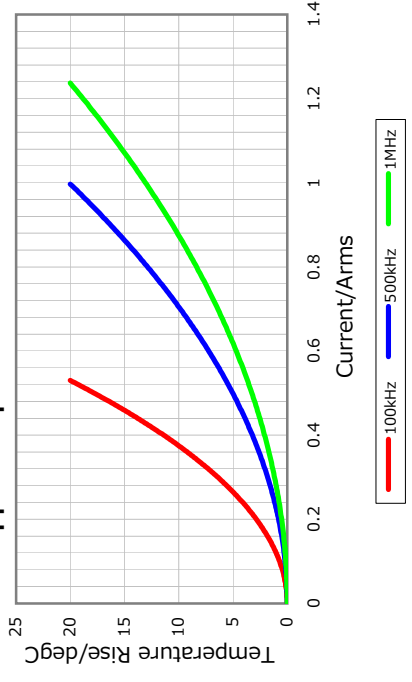
AEC-Q200

Not Applicable

Temperature Characteristics



Ripple Temperature Rise Characteristics



All specifications are subject to change without notice.

January 3, 2016