

CGA6M2X7R2A105M200AA

TDK Item Description : CGA6M2X7R2A105MT*****

Equivalent C3225X7R2A105M for Automotive

Application & Main Feature

Automotive Grade (Mid Voltage (100 to 630V))

Series

CGA6(3225) [EIA CC1210]

Dimensions

L	3.20mm	+/-0.4mm
W	2.50mm	+/-0.3mm
T	2.00mm	+/-0.2mm
B	0.20mm Min.	
G		

Temperature Characteristic

X7R (-55 to 125 degC +/-15%)

Rated Voltage

2A (100Vdc)

Capacitance

1uF

Capacitance Tolerance

M (+/-20%)

Dissipation Factor

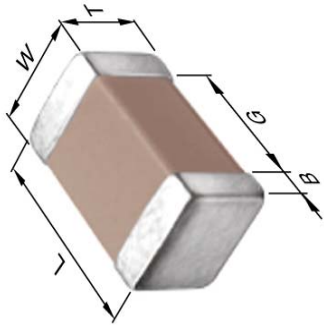
3% Max.

Insulation Resistance

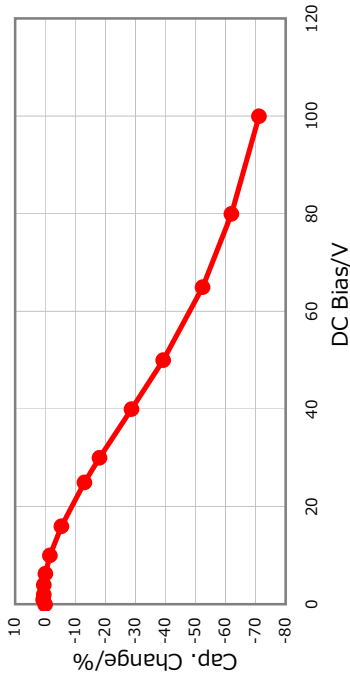
500Mohm Min.

AEC-Q200

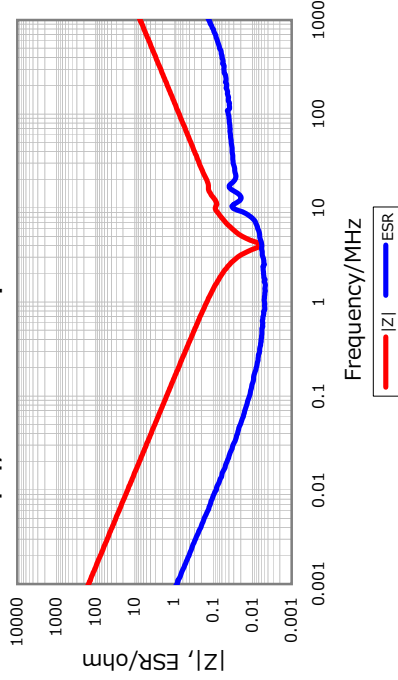
Yes



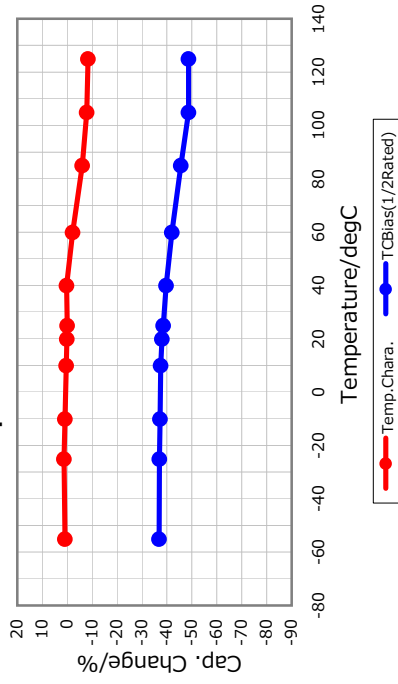
DC Bias Characteristic



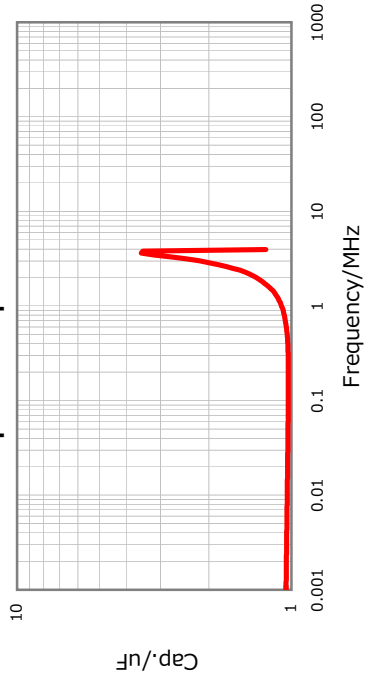
|Z|, ESR vs. Freq. Characteristics



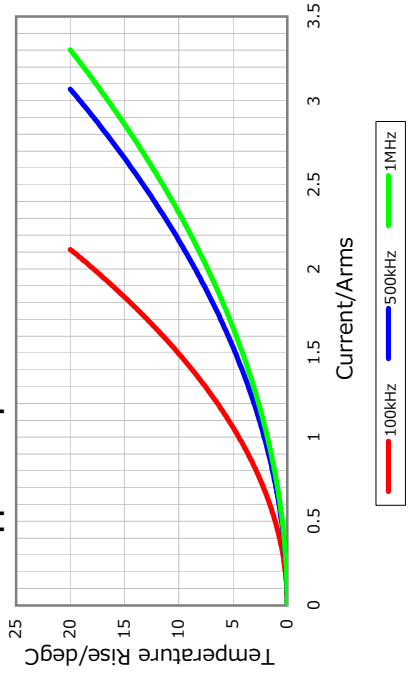
Temperature Characteristics



Cap. vs. Freq. Characteristic



Ripple Temperature Rise Characteristics



All specifications are subject to change without notice.

January 4, 2016

