

CGA9P1X7T2J474M250KC

TDK Item Description : CGA9P1X7T2J474MT*****

Equivalent C5750X7T2J474M for Automotive

Application & Main Feature

Automotive Grade (Mid Voltage (100 to 630V))

Series

CGA9(5750) [EIA CC2220]

Dimensions

L	5.70mm	+/-0.4mm
W	5.00mm	+/-0.4mm
T	2.50mm	+/-0.3mm
B	0.20mm Min.	
G		

Temperature Characteristic

X7T (-55 to 125 degC +22,-33%)

Rated Voltage

2J (630Vdc)

Capacitance

470nF

Capacitance Tolerance

M (+/-20%)

Dissipation Factor

2.5% Max.

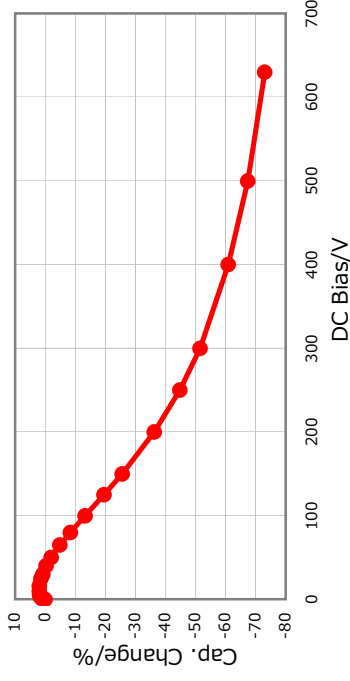
Insulation Resistance

1.06Gohm Min.

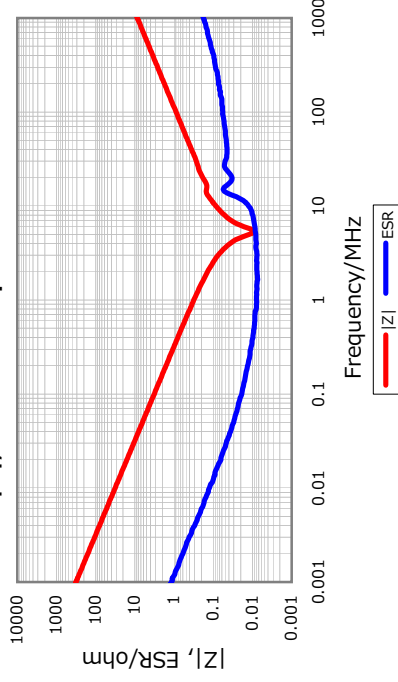
AEC-Q200

Yes

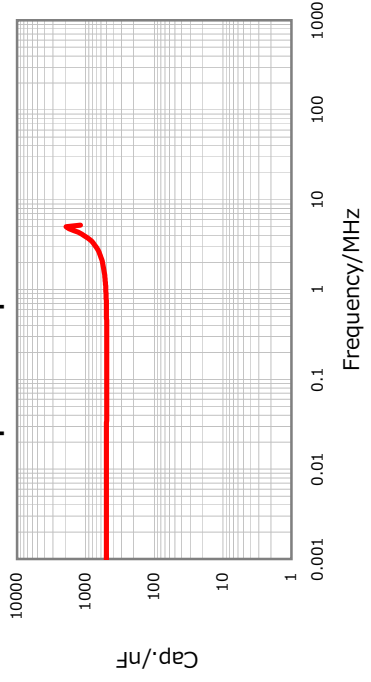
DC Bias Characteristic



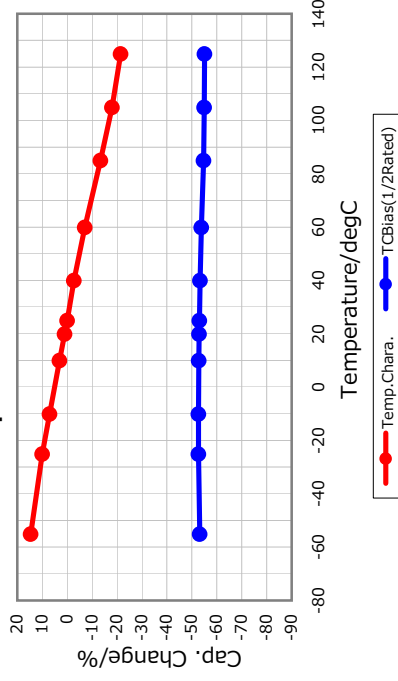
|Z|, ESR vs. Freq. Characteristics



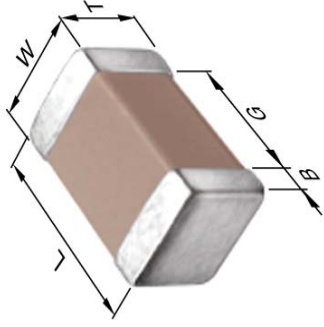
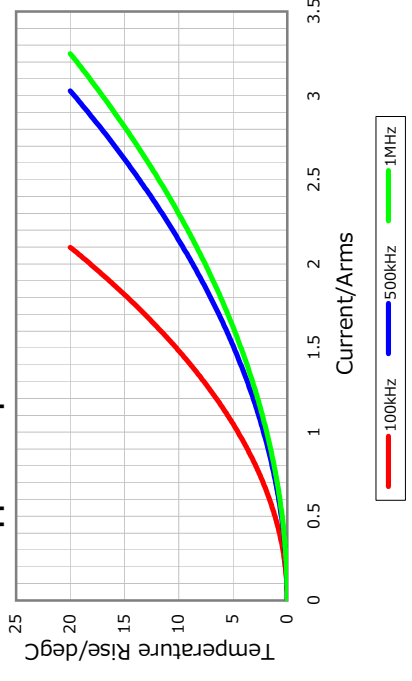
Cap. vs. Freq. Characteristic



Temperature Characteristics



Ripple Temperature Rise Characteristics



All specifications are subject to change without notice.

January 4, 2016