

# LQH44NN221K03#

“#” indicates a package specification code.

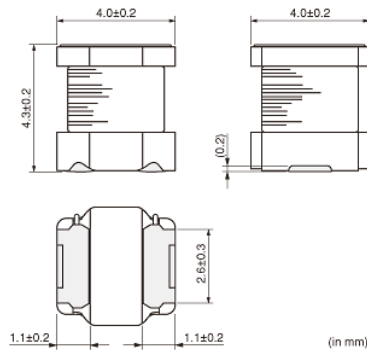
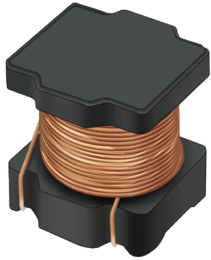
Size Code 4040 (1515) in mm (in inch), General use



< List of part numbers with package codes >

LQH44NN221K03K      LQH44NN221K03L

## Appearance & Shape



## References

Packaging	Specifications	Standard Packing Quantity
K	330Embossed Tape	1500
L	180Embossed Tape	250

Mass (typ.)	
1 piece	0.26g

## Notices

When rated current is applied to the products, inductance will be within  $\pm 30\%$  of initial inductance value. When rated current is applied to the products, the temperature rise caused by self-generated heat shall be limited to 40°C max.

### Attention

- 1.This datasheet is downloaded from the website of Murata Manufacturing Co., Ltd. Therefore, it's specifications are subject to change or our products in it may be discontinued without advance notice. Please check with our sales representatives or product engineers before ordering.
- 2.This datasheet has only typical specifications because there is no space for detailed specifications. Therefore, please review our product specifications or consult the approval sheet for product specifications before ordering.

# LQH44NN221K03#

“#” indicates a package specification code.



## Specifications

L size	4.0±0.2mm
W size	4.0±0.2mm
T size	4.3±0.2mm
Size code inch (mm)	1515 (4040)
Inductance	220µH±10%
Inductance Test Frequency	1kHz
Rated current (Itemp) (Based on Temperature rise)	0.21A
Max. of DC resistance	1.56Ω
Operating Temperature Range (Self-temperature rise is included)	-40°C to 125°C
Class of magnetic shield	No Shield
Self resonance frequency (min.)	3.9MHz
Operating Temperature Range(Self-temperature rise is not included)	-40°C to 85°C
Brand	Murata
DC Resistance Intermediate Values	1.20Ω±30%
Series	LQH44NN_03

### Attention

1.This datasheet is downloaded from the website of Murata Manufacturing Co., Ltd. Therefore, it's specifications are subject to change or our products in it may be discontinued without advance notice. Please check with our sales representatives or product engineers before ordering.

2.This datasheet has only typical specifications because there is no space for detailed specifications.

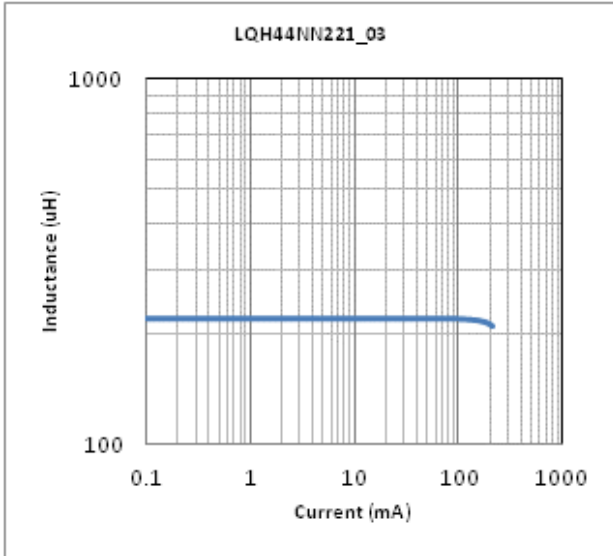
Therefore, please review our product specifications or consult the approval sheet for product specifications before ordering.

# LQH44NN221K03#

“#” indicates a package specification code.



## Characteristic Data



Impedance - Current Characteristics

### Attention

- 1.This datasheet is downloaded from the website of Murata Manufacturing Co., Ltd. Therefore, it's specifications are subject to change or our products in it may be discontinued without advance notice. Please check with our sales representatives or product engineers before ordering.
- 2.This datasheet has only typical specifications because there is no space for detailed specifications. Therefore, please review our product specifications or consult the approval sheet for product specifications before ordering.