

C2012X7T2W153K085AA

TDK Item Description : C2012X7T2W153KT****

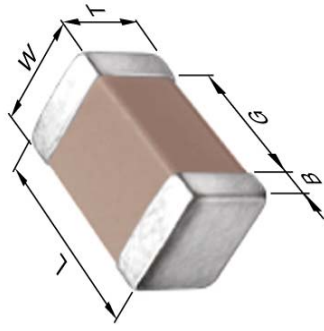


Application & Main Feature

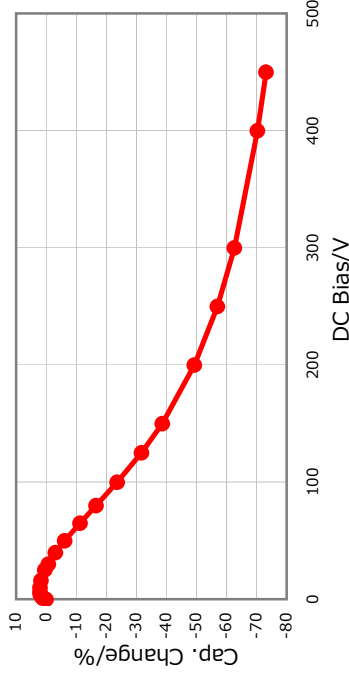
Commercial Grade (Mid Voltage (100 to 630V))

Series

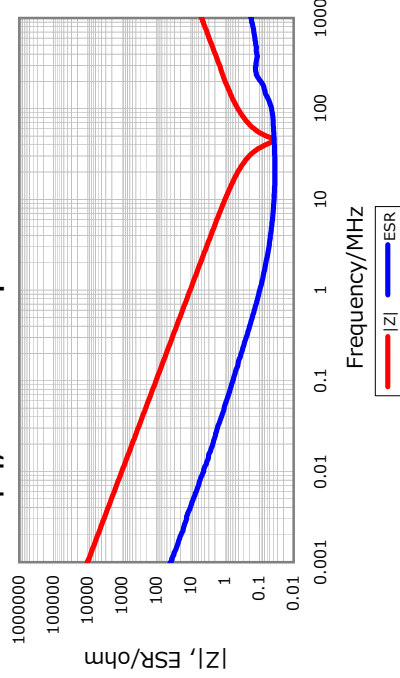
C2012 [EIA CC0805]



DC Bias Characteristic



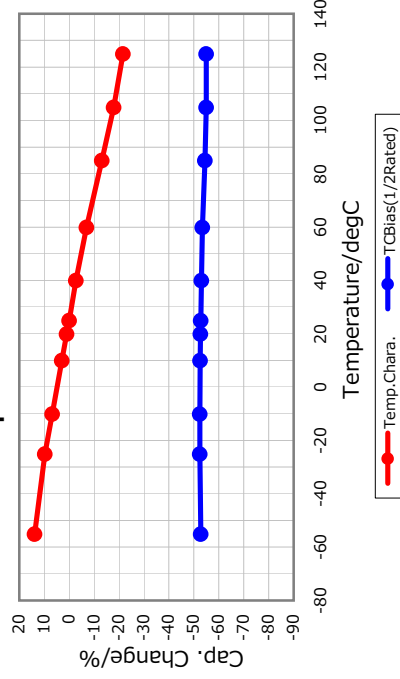
|Z|, ESR vs. Freq. Characteristics



Temperature Characteristic

X7T (-55 to 125 degC +22,-33%)

Temperature Characteristics



Rated Voltage

2W (450Vdc)

Capacitance

15nF

Capacitance Tolerance

K (+/-10%)

Dissipation Factor

2.5% Max.

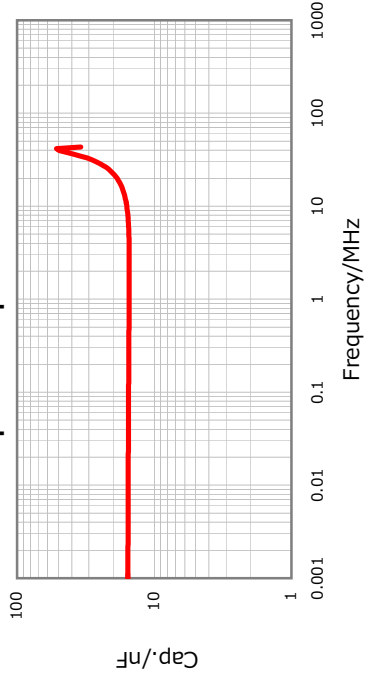
Insulation Resistance

10Gohm Min.

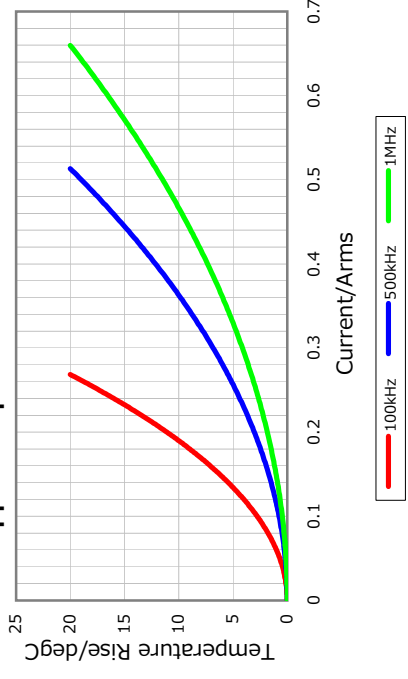
AEC-Q200

Not Applicable

Cap. vs. Freq. Characteristic



Ripple Temperature Rise Characteristics



All specifications are subject to change without notice.

January 3, 2016