

C3216X5R2A154K160AA

TDK Item Description : C3216X5R2A154KT****

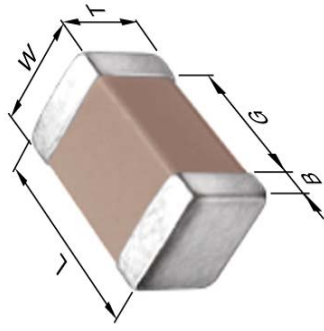


Application & Main Feature

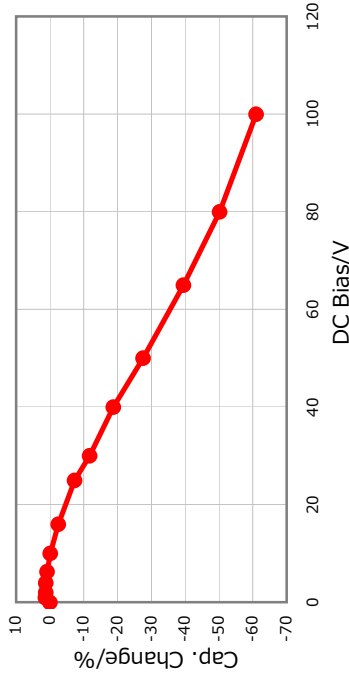
Commercial Grade (Mid Voltage (100 to 630V))

Series

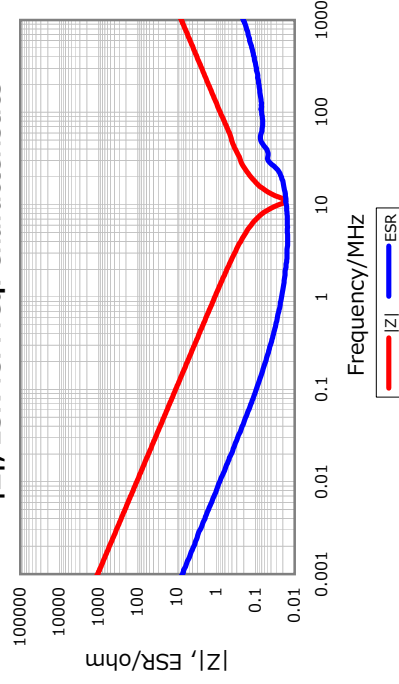
C3216 [EIA CC1206]



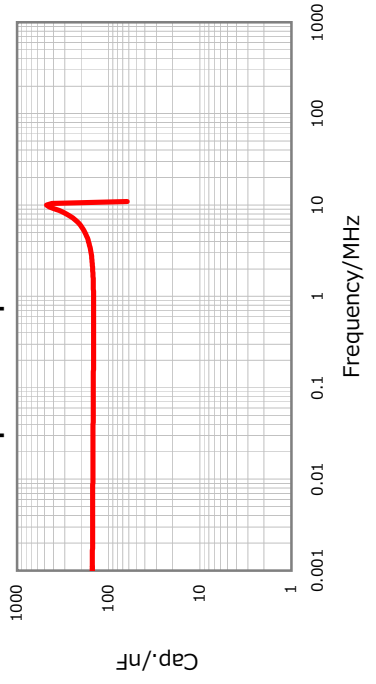
DC Bias Characteristic



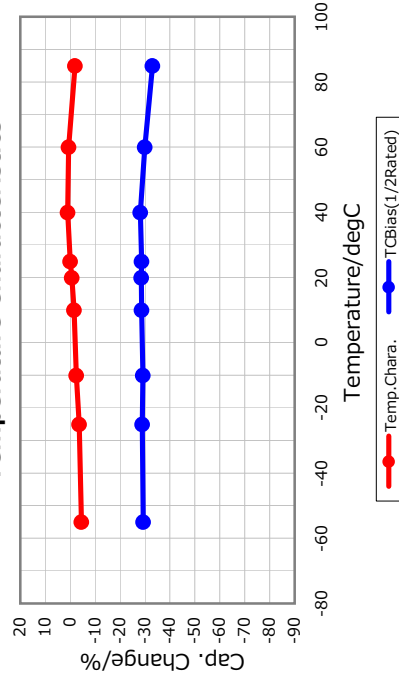
|Z|, ESR vs. Freq. Characteristics



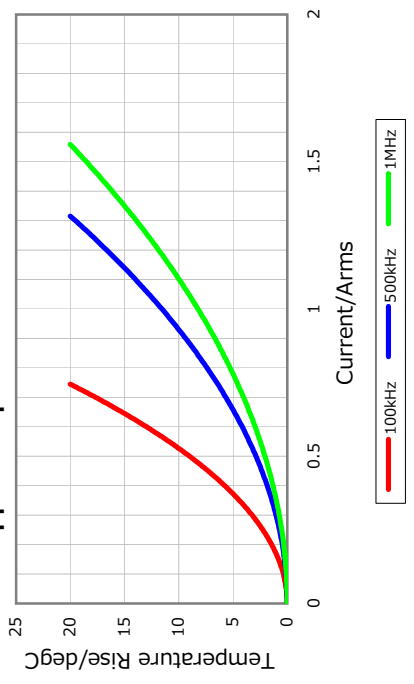
Cap. vs. Freq. Characteristic



Temperature Characteristics



Ripple Temperature Rise Characteristics



Dimensions

- L 3.20mm +/-0.2mm
- W 1.60mm +/-0.2mm
- T 1.60mm +/-0.2mm
- B 0.20mm Min.
- G 1.00mm Min.

Temperature Characteristic

X5R (-55 to 85 degC +/-15%)

Rated Voltage

2A (100Vdc)

Capacitance

150nF

Capacitance Tolerance

K (+/-10%)

Dissipation Factor

3% Max.

Insulation Resistance

3.33Gohm Min.

AEC-Q200

Not Applicable



All specifications are subject to change without notice.

January 3, 2016