

# C3216JB2E333M160AA

TDK Item Description : C3216JB2E333MT\*\*\*\*\*



## Application & Main Feature

Commercial Grade ( Mid Voltage (100 to 630V) )

## Series

C3216 [EIA CC1206]

## Dimensions

L	3.20mm	+/-0.2mm
W	1.60mm	+/-0.2mm
T	1.60mm	+/-0.2mm
B	0.20mm	Min.
G	1.00mm	Min.

## Temperature Characteristic

JB (-25 to 85 degC +/-10%)

## Rated Voltage

2E (250Vdc)

## Capacitance

33nF

## Capacitance Tolerance

M (+/-20%)

## Dissipation Factor

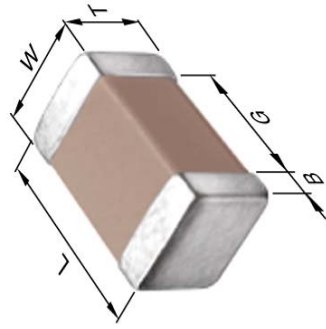
3% Max.

## Insulation Resistance

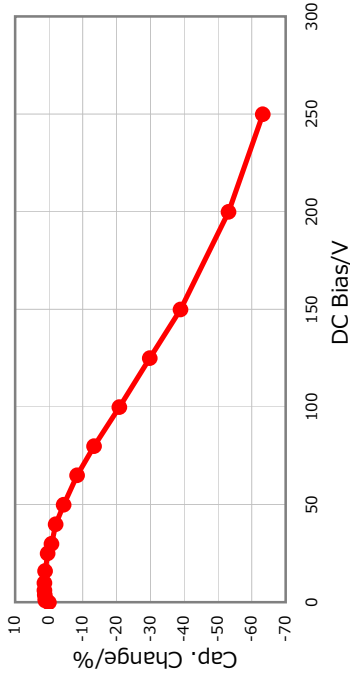
10Gohm Min.

## AEC-Q200

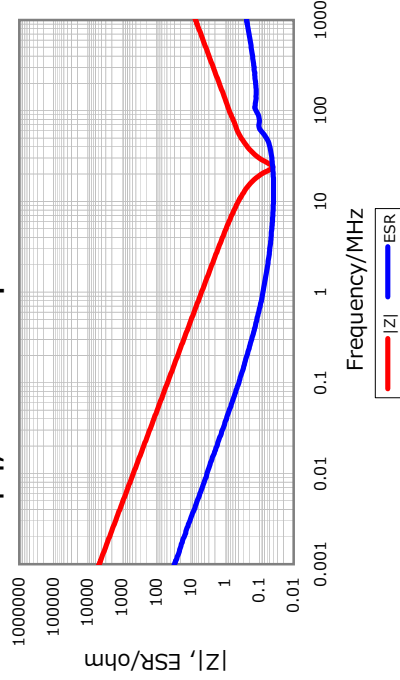
Not Applicable



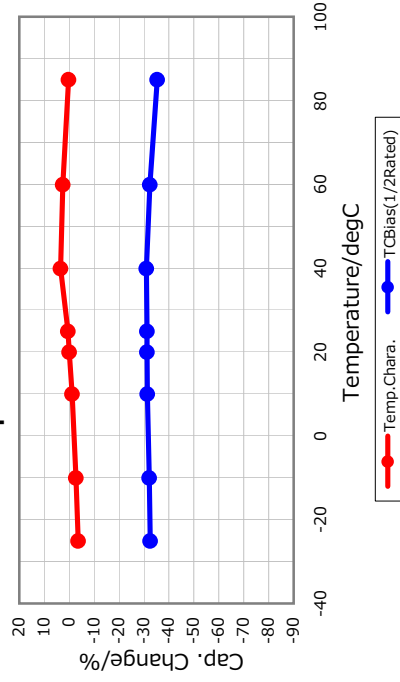
## DC Bias Characteristic



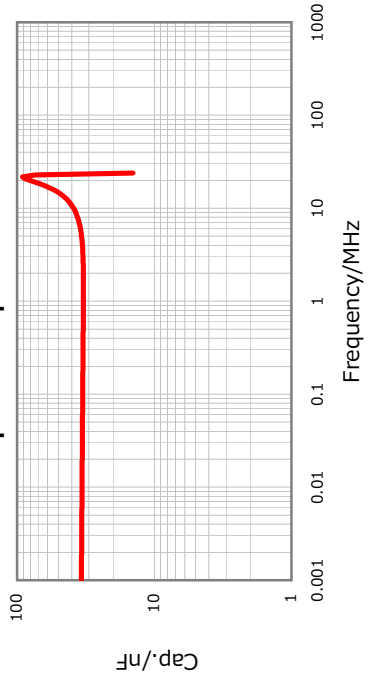
## |Z|, ESR vs. Freq. Characteristics



## Temperature Characteristics



## Cap. vs. Freq. Characteristic



## Ripple Temperature Rise Characteristics

