

LQW18ASR11G00#

"#" indicates a package specification code.

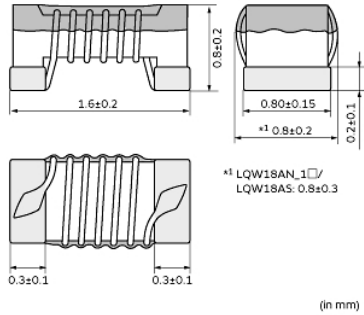
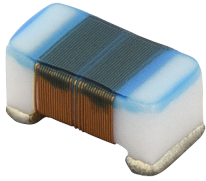
Designed under Industrial Global Standard



< List of part numbers with package codes >

LQW18ASR11G00B LQW18ASR11G00D LQW18ASR11G00J

Appearance & Shape



References

Packaging	Specifications	Standard Packing Quantity
B	Bulk(Bag)	500
D	180mm Paper Tape	4000
J	330mm Paper Tape	10000

Mass (typ.)	
1 piece	0.003g

Attention

- 1.This datasheet is downloaded from the website of Murata Manufacturing Co., Ltd. Therefore, it's specifications are subject to change or our products in it may be discontinued without advance notice. Please check with our sales representatives or product engineers before ordering.
- 2.This datasheet has only typical specifications because there is no space for detailed specifications. Therefore, please review our product specifications or consult the approval sheet for product specifications before ordering.

LQW18ASR11G00#

“#” indicates a package specification code.



Specifications

L size	1.6±0.2mm
W size	0.8±0.3mm
T size	0.8±0.2mm
Size code inch (mm)	0603 (1608)
Inductance	110nH±2%
Inductance Test Frequency	150MHz
Rated current (Itemp) (Based on Temperature rise)	300mA
Max. of DC resistance	0.61Ω
Operating Temperature Range (Self-temperature rise is included)	-40°C to 125°C
Q(min.)	32
Q Test Frequency	150MHz
Self resonance frequency (min.)	1350MHz
Brand	Murata
Series	LQW18AS_00

Attention

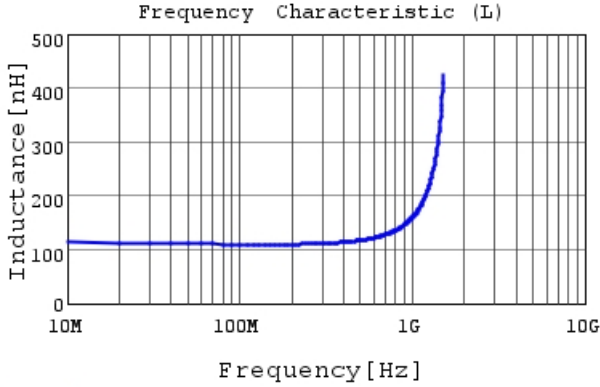
- 1.This datasheet is downloaded from the website of Murata Manufacturing Co., Ltd. Therefore, it's specifications are subject to change or our products in it may be discontinued without advance notice. Please check with our sales representatives or product engineers before ordering.
- 2.This datasheet has only typical specifications because there is no space for detailed specifications.
Therefore, please review our product specifications or consult the approval sheet for product specifications before ordering.

LQW18ASR11G00#

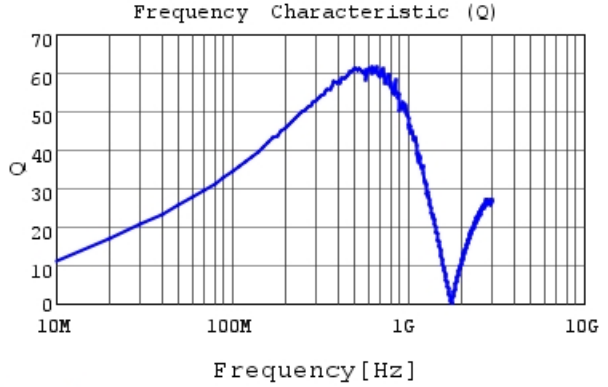
"#" indicates a package specification code.

Characteristic Data

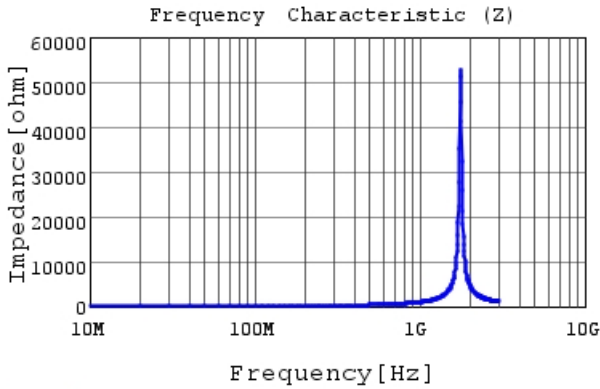
The charts below may show another part number which shares its characteristics.



LQW18ASR11G00 L



LQW18ASR11G00 Q



LQW18ASR11G00 |Z|

Attention

- 1.This datasheet is downloaded from the website of Murata Manufacturing Co., Ltd. Therefore, it's specifications are subject to change or our products in it may be discontinued without advance notice. Please check with our sales representatives or product engineers before ordering.
- 2.This datasheet has only typical specifications because there is no space for detailed specifications.
Therefore, please review our product specifications or consult the approval sheet for product specifications before ordering.