

CGJ5L2X7R1A685K160AA

TDK Item Description : CGJ5L2X7R1A685KT****

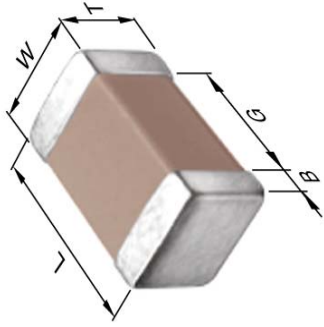


Application & Main Feature

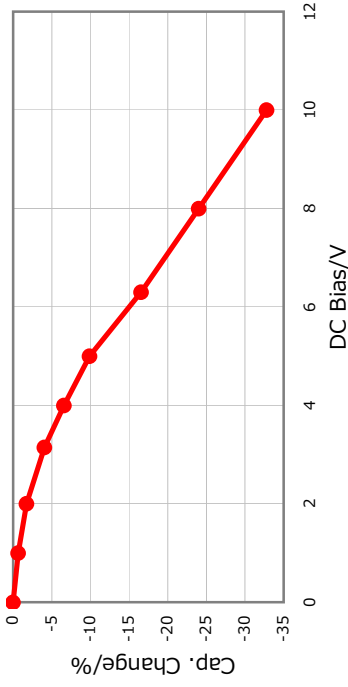
High Reliability Grade (General (Up to 50V))

Series

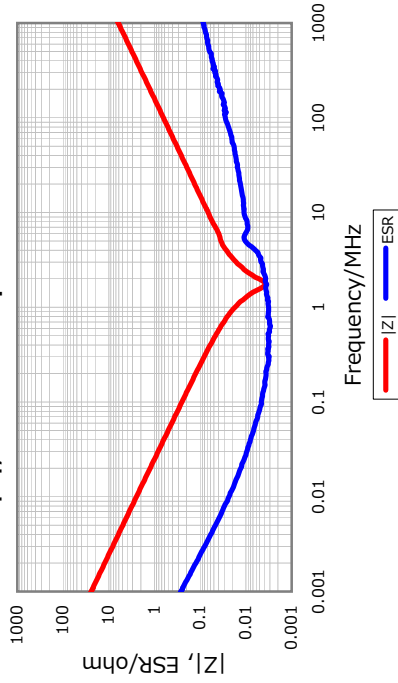
CGJ5(3216) [EIA CC1206]



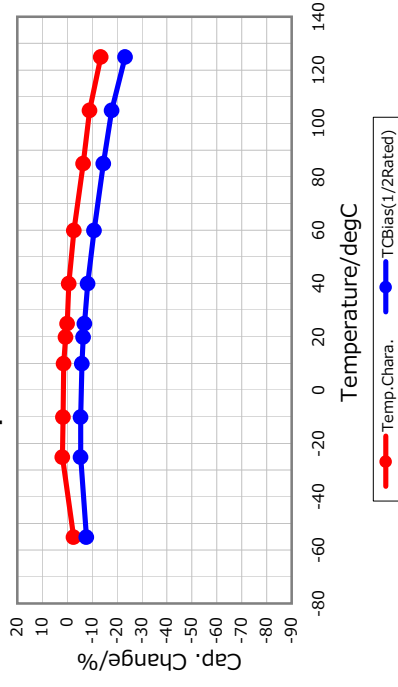
DC Bias Characteristic



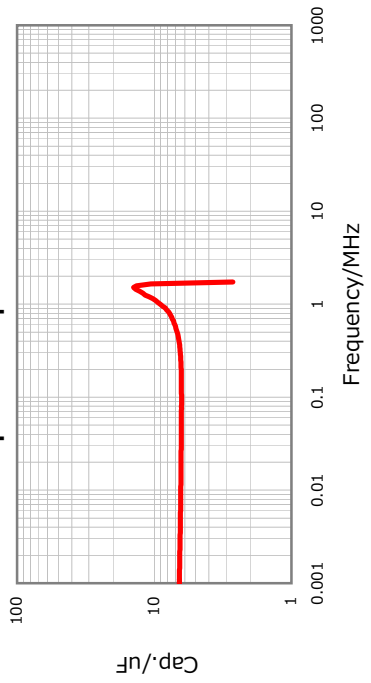
|Z|, ESR vs. Freq. Characteristics



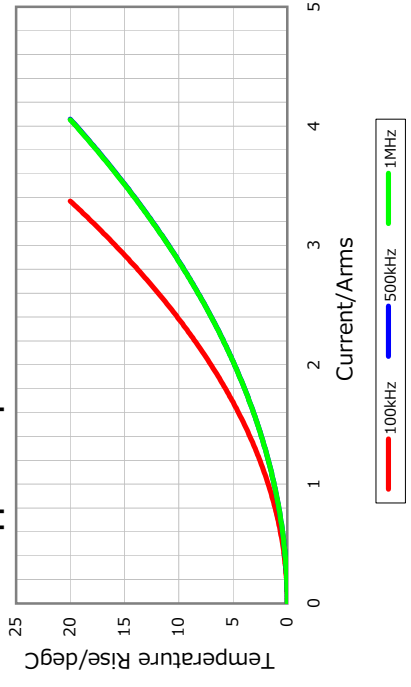
Temperature Characteristics



Cap. vs. Freq. Characteristic



Ripple Temperature Rise Characteristics



Dimensions

- L 3.20mm +0.3,-0.1mm
- W 1.60mm +0.3,-0.1mm
- T 1.60mm +0.3,-0.1mm
- B 0.20mm Min.
- G 1.00mm Min.

Temperature Characteristic

X7R (-55 to 125 degC +/-15%)

Rated Voltage

1A (10Vdc)

Capacitance

6.8uF

Capacitance Tolerance

K (+/-10%)

Dissipation Factor

7.5% Max.

Insulation Resistance

14Mohm Min.

AEC-Q200

Yes



All specifications are subject to change without notice.

January 4, 2016