

DXP18BN5014H#

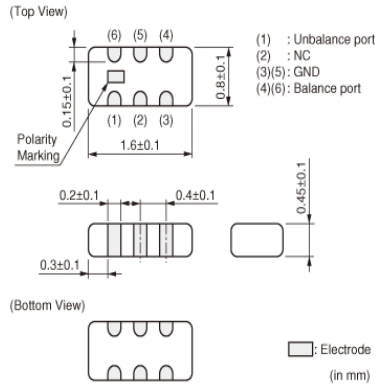
“#” indicates a package specification code.



< List of part numbers with package codes >

DXP18BN5014HB DXP18BN5014HL

Appearance & Shape



Features

1. Ultra Miniature Film Transformer
2. Low Insertion Loss
3. Wideband Frequency Range
4. Surface Mount

Applications

TV tuners, Cable TV tuners and Communication application that require unbalance mode to balance mode conversion.

Applications

Other Usage	For general
-------------	-------------

Packaging Information

Packaging	Specifications	Standard Packing Quantity
B	Bulk(Bag)	500
L	180mm Embossed Tape	5000

Attention

1. This datasheet is downloaded from the website of Murata Manufacturing Co., Ltd. Therefore, its specifications are subject to change or our products in it may be discontinued without advance notice. Please check with our sales representatives or product engineers before ordering.
2. This datasheet has only typical specifications because there is no space for detailed specifications. Therefore, please review our product specifications or consult the approval sheet for product specifications before ordering.

DXP18BN5014H#

“#” indicates a package specification code.



Specifications

Operating Temperature Range	-40°C to 85°C
Frequency Range	470MHz to 790MHz
Insertion Loss	1.2dB max.(at Freq. Range)
Size Code (in mm)	1608
Size Code (in inch)	0603
Length	1.6mm
Length Tolerance	±0.1mm
Width	0.8mm
Width Tolerance	±0.1mm
Thickness	0.45mm
Thickness Tolerance	±0.1mm
Power Rating	20dBm
Port Impedance	50Ω - 200Ω
CMRR(min.)	25dB
Mass(typ.)	0.003g

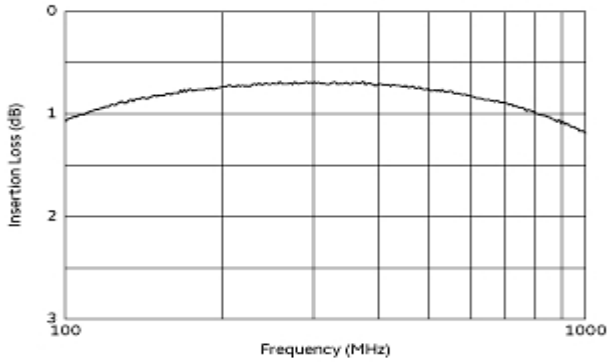
Attention

- 1.This datasheet is downloaded from the website of Murata Manufacturing Co., Ltd. Therefore, it's specifications are subject to change or our products in it may be discontinued without advance notice. Please check with our sales representatives or product engineers before ordering.
- 2.This datasheet has only typical specifications because there is no space for detailed specifications. Therefore, please review our product specifications or consult the approval sheet for product specifications before ordering.

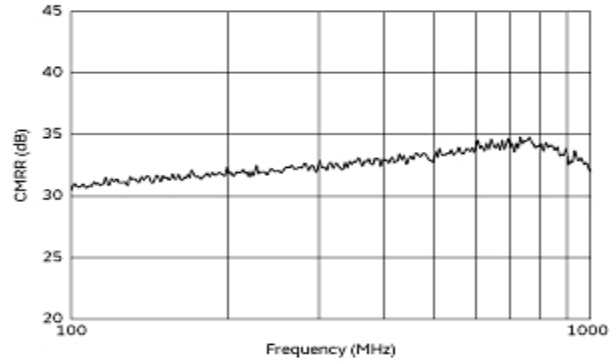
DXP18BN5014H#

"#" indicates a package specification code.

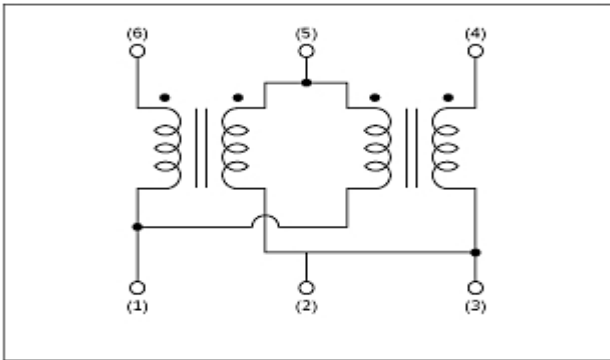
Product Data



Insertion Loss Characteristics



CMRR Characteristics



Equivalent Circuit

Attention

- 1.This datasheet is downloaded from the website of Murata Manufacturing Co., Ltd. Therefore, it's specifications are subject to change or our products in it may be discontinued without advance notice. Please check with our sales representatives or product engineers before ordering.
- 2.This datasheet has only typical specifications because there is no space for detailed specifications. Therefore, please review our product specifications or consult the approval sheet for product specifications before ordering.