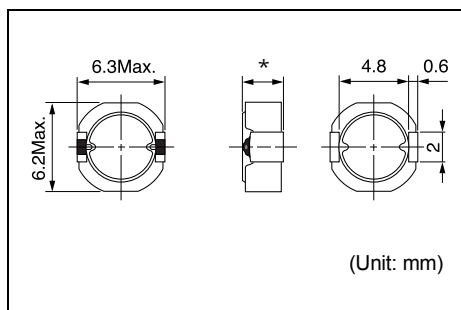
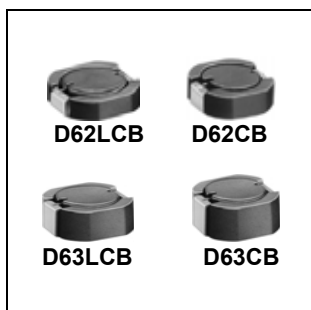
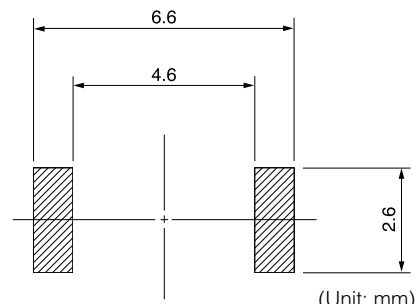


D62LCB / D62CB / D63LCB / D63CB

Inductance Range: 0.56~47μH(D62LCB), 1.0~82μH(D62CB), 1.0~150μH(D63LCB), 1.2~100μH(D63CB)


Recommended patterns
 推荐焊盘尺寸


Note (*) D62LCB; 2.0mm Max. height / D63LCB; 3.0mm Max. height
 D62CB; 2.5mm Max. height / D63CB; 3.5mm Max. height

FEATURES 特点

- Low profile (6.2 × 6.3mm Max. square, 2.0, 2.5, 3.0, and 3.5mm Max. height).
- Magnetically shielded construction and low DC resistance.
- Suitable for large currents.
- Ideal for a variety of DC-DC converter inductor applications.
- RoHS compliant.
- 薄型构造（最大6.2×6.3毫米的平面，最大高度2.0、2.5、3.0和3.5毫米）
- 磁性屏蔽结构和低直流电阻
- 适合大电流
- 是适用于多种DC-DC转换器电感器的理想选择
- 符合RoHS指令

STANDARD PART NUMBERS 标准零件号码
TYPE D62LCB (Low DC resistance Type, Quantity/reel; 1,500 PCS)

零件号码	电感值 ⁽¹⁾	公差	最大直流电阻 ⁽²⁾	最大电感减小电流 ⁽³⁾ (典型)		最大温度上升电流 ⁽³⁾ (典型)
Part Number	Inductance ⁽¹⁾ (μH)	Tolerance (%)	DC Resistance ⁽²⁾ (mΩ) Max. (Typ.)	Inductance Decrease Current ⁽³⁾ (A) Max. (Typ.)		Temperature Rise Current ⁽³⁾ (A) Max. (Typ.) ΔT=40°C
				$\frac{\Delta L}{L} = 10\%$	$\frac{\Delta L}{L} = 30\%$	
#A918CY-1R0M=P3	1.0	± 20	17 (14)	2.97 (3.95)	3.50 (4.67)	3.70 (4.35)
#A918CY-1R5M=P3	1.5	± 20	21 (17)	2.48 (3.30)	2.94 (3.92)	3.17 (3.74)
#A918CY-2R0M=P3	2.0	± 20	29 (24)	2.06 (2.74)	2.47 (3.30)	2.47 (2.91)
#A918CY-3R3M=P3	3.3	± 20	47 (39)	1.65 (2.20)	1.99 (2.65)	2.10 (2.47)
#A918CY-4R7M=P3	4.7	± 20	66 (55)	1.33 (1.77)	1.59 (2.11)	1.63 (1.93)
#A918CY-6R2M=P3	6.2	± 20	74 (62)	1.25 (1.67)	1.49 (1.99)	1.53 (1.81)
#A918CY-8R2M=P3	8.2	± 20	102 (85)	1.03 (1.38)	1.25 (1.66)	1.31 (1.54)
#A918CY-100M=P3	10	± 20	118 (98)	1.01 (1.35)	1.22 (1.62)	1.15 (1.36)
#A918CY-120M=P3	12	± 20	154 (128)	0.82 (1.10)	0.99 (1.32)	1.17 (1.38)
#A918CY-150M=P3	15	± 20	179 (149)	0.79 (1.06)	0.94 (1.25)	0.87 (1.03)
#A918CY-180M=P3	18	± 20	207 (172)	0.70 (0.93)	0.83 (1.11)	0.95 (1.12)
#A918CY-220M=P3	22	± 20	253 (211)	0.67 (0.89)	0.80 (1.06)	0.78 (0.92)
#A918CY-270M=P3	27	± 20	331 (275)	0.55 (0.73)	0.65 (0.87)	0.68 (0.81)
#A918CY-330M=P3	33	± 20	368 (306)	0.54 (0.72)	0.63 (0.85)	0.64 (0.76)
#A918CE-390M=P3	39	± 20	473 (394)	0.46 (0.61)	0.55 (0.73)	0.59 (0.70)
#A918CE-470M=P3	47	± 20	542 (452)	0.42 (0.57)	0.50 (0.67)	0.55 (0.65)

continued from previous page 接上页

STANDARD PART NUMBERS 标准零件号码
TYPE D62LCB (High current Type, Quantity/reel; 1,500 PCS)

零件号码	电感值 ⁽¹⁾	公差	最大直流电阻 ⁽²⁾	最大电感减小电流 ⁽³⁾ (典型)		最大温度上升电流 ⁽³⁾ (典型)
Part Number	Inductance ⁽¹⁾ (μ H)	Tolerance (%)	DC Resistance ⁽²⁾ (m Ω) Max. (Typ.)	Inductance Decrease Current ⁽³⁾ (A) Max. (Typ.)		Temperature Rise Current ⁽³⁾ $\Delta T=40^{\circ}\text{C}$ (A) Max. (Typ.)
				$\frac{\Delta L}{L} = 10\%$	$\frac{\Delta L}{L} = 30\%$	
#A918BY-R56N=P3	0.56	± 30	18 (14)	5.9 (7.9)	7.1 (9.4)	4.3 (5.0)
#A918BY-R91N=P3	0.91	± 30	25 (21)	4.6 (6.1)	5.7 (7.4)	3.4 (4.0)
#A918BY-1R3N=P3	1.3	± 30	29 (24)	3.8 (5.1)	4.8 (6.3)	3.1 (3.7)
#A918BY-1R8N=P3	1.8	± 30	42 (35)	3.2 (4.2)	3.9 (5.2)	2.5 (3.0)
#A918BY-2R4N=P3	2.4	± 30	50 (42)	2.9 (3.8)	3.5 (4.6)	2.3 (2.7)
#A918BY-3R3N=P3	3.3	± 30	64 (53)	2.4 (3.2)	3.0 (4.0)	2.0 (2.4)
#A918BY-3R9N=P3	3.9	± 30	86 (72)	2.2 (2.9)	2.7 (3.5)	1.7 (2.0)
#A918BY-4R7M=P3	4.7	± 20	107 (89)	2.0 (2.7)	2.4 (3.2)	1.5 (1.8)
#A918BY-5R6M=P3	5.6	± 20	130 (110)	1.9 (2.5)	2.2 (3.0)	1.3 (1.5)

TYPE D62CB (Low DC resistance Type, Quantity/reel; 1,500 PCS)

零件号码	电感值 ⁽¹⁾	公差	最大直流电阻 ⁽²⁾	最大电感减小电流 ⁽³⁾ (典型)		最大温度上升电流 ⁽³⁾ (典型)
Part Number	Inductance ⁽¹⁾ (μ H)	Tolerance (%)	DC Resistance ⁽²⁾ (m Ω) Max. (Typ.)	Inductance Decrease Current ⁽³⁾ (A) Max. (Typ.)		Temperature Rise Current ⁽³⁾ $\Delta T=40^{\circ}\text{C}$ (A) Max. (Typ.)
				$\frac{\Delta L}{L} = 10\%$	$\frac{\Delta L}{L} = 30\%$	
#A920CY-1R0M=P3	1.0	± 20	14 (11)	2.89 (3.85)	3.48 (4.64)	4.31 (5.07)
#A920CY-1R5M=P3	1.5	± 20	17 (14)	2.35 (3.18)	2.83 (3.77)	3.68 (4.33)
#A920CY-2R0M=P3	2.0	± 20	21 (17)	2.03 (2.73)	2.44 (3.25)	3.54 (4.17)
#A920CY-3R3M=P3	3.3	± 20	29 (24)	1.57 (2.03)	1.89 (2.52)	2.73 (3.22)
#A920CY-4R3M=P3	4.3	± 20	37 (31)	1.37 (1.73)	1.65 (2.20)	2.46 (2.90)
#A920CY-6R2M=P3	6.2	± 20	52 (43)	1.14 (1.47)	1.37 (1.82)	1.85 (2.18)
#A920CY-100M=P3	10	± 20	77 (64)	0.89 (1.19)	1.07 (1.42)	1.55 (1.83)
#A920CY-120M=P3	12	± 20	90 (75)	0.81 (1.10)	0.97 (1.29)	1.38 (1.62)
#A920CY-150M=P3	15	± 20	105 (87)	0.73 (1.02)	0.87 (1.16)	1.25 (1.47)
#A920CY-180M=P3	18	± 20	129 (110)	0.66 (0.90)	0.79 (1.05)	1.16 (1.37)
#A920CY-220M=P3	22	± 20	154 (130)	0.60 (0.83)	0.71 (0.94)	1.01 (1.19)
#A920CY-270M=P3	27	± 20	204 (170)	0.54 (0.77)	0.64 (0.85)	0.94 (1.11)
#A920CY-330M=P3	33	± 20	229 (195)	0.49 (0.63)	0.58 (0.77)	0.84 (0.99)
#A920CY-390M=P3	39	± 20	294 (245)	0.45 (0.58)	0.53 (0.70)	0.74 (0.87)
#A920CY-470M=P3	47	± 20	348 (290)	0.40 (0.55)	0.48 (0.64)	0.68 (0.80)
#A920CY-560M=P3	56	± 20	413 (345)	0.37 (0.49)	0.44 (0.58)	0.63 (0.74)
#A920CY-680M=P3	68	± 20	475 (400)	0.33 (0.48)	0.40 (0.53)	0.59 (0.69)
#A920CY-820M=P3	82	± 20	558 (465)	0.30 (0.42)	0.36 (0.48)	0.56 (0.66)

continued on next page 接下页

continued from previous page 接上页

STANDARD PART NUMBERS 标准零件号码
TYPE D62CB (High current Type, Quantity/reel; 1,500 PCS)

零件号码	电感值 ⁽¹⁾	公差	最大直流电阻 ⁽²⁾	最大电感减小电流 ⁽³⁾ (典型)		最大温度上升电流 ⁽³⁾ (典型)
Part Number	Inductance ⁽¹⁾ (μH)	Tolerance (%)	DC Resistance ⁽²⁾ (mΩ) Max. (Typ.)	Inductance Decrease Current ⁽³⁾ (A) Max. (Typ.)		Temperature Rise Current ⁽³⁾ ΔT=40°C (A) Max. (Typ.)
				$\frac{\Delta L}{L} = 10\%$	$\frac{\Delta L}{L} = 30\%$	
#A920BY-1R8M=P3	1.8	± 20	26 (21)	3.4 (4.6)	4.4 (5.9)	3.7 (4.4)
#A920BY-2R2M=P3	2.2	± 20	33 (27)	3.1 (4.1)	4.0 (5.3)	3.0 (3.5)
#A920BY-3R0M=P3	3.0	± 20	39 (32)	2.6 (3.5)	3.4 (4.5)	2.9 (3.4)
#A920BY-5R4M=P3	5.4	± 20	65 (54)	2.0 (2.6)	2.5 (3.4)	2.0 (2.4)
#A920BY-6R2M=P3	6.2	± 20	78 (65)	1.9 (2.5)	2.3 (3.2)	1.8 (2.2)
#A920BY-100M=P3	10	± 20	115 (96)	1.5 (2.0)	1.9 (2.6)	1.5 (1.8)

TYPE D63LCB (Quantity/reel; 1,500 PCS)

零件号码	电感值 ⁽¹⁾	公差	最大直流电阻 ⁽²⁾	最大电感减小电流 ⁽³⁾ (典型)		最大温度上升电流 ⁽³⁾ (典型)
Part Number	Inductance ⁽¹⁾ (μH)	Tolerance (%)	DC Resistance ⁽²⁾ (mΩ) Max. (Typ.)	Inductance Decrease Current ⁽³⁾ (A) Max. (Typ.)		Temperature Rise Current ⁽³⁾ ΔT=40°C (A) Max. (Typ.)
				$\frac{\Delta L}{L} = 10\%$	$\frac{\Delta L}{L} = 30\%$	
#A921CY-1R0M=P3	1.0	± 20	14 (11)	2.95 (4.06)	3.59 (4.79)	4.52 (5.32)
#A921CY-1R5M=P3	1.5	± 20	16 (13)	2.41 (3.35)	2.93 (3.92)	3.78 (4.45)
#A921CY-2R2M=P3	2.2	± 20	20 (16)	1.99 (2.72)	2.42 (3.24)	3.51 (4.13)
#A921CY-3R6M=P3	3.6	± 20	26 (21)	1.55 (2.00)	1.89 (2.53)	3.01 (3.54)
#A921CY-4R7M=P3	4.7	± 20	33 (27)	1.36 (1.70)	1.66 (2.22)	2.58 (3.03)
#A921CY-6R2M=P3	6.2	± 20	39 (32)	1.18 (1.58)	1.45 (1.93)	2.28 (2.69)
#A921CY-100M=P3	10.0	± 20	59 (49)	0.93 (1.22)	1.14 (1.52)	1.91 (2.25)
#A921CY-120M=P3	12.0	± 20	63 (52)	0.85 (1.10)	1.04 (1.39)	1.80 (2.12)
#A921CY-150M=P3	15.0	± 20	75 (62)	0.76 (1.02)	0.93 (1.25)	1.73 (2.04)
#A921CY-180M=P3	18.0	± 20	89 (74)	0.69 (0.93)	0.85 (1.14)	1.58 (1.86)
#A921CY-220M=P3	22.0	± 20	115 (95)	0.62 (0.80)	0.77 (1.03)	1.34 (1.58)
#A921CY-270M=P3	27.0	± 20	144 (120)	0.56 (0.74)	0.70 (0.93)	1.14 (1.35)
#A921CY-330M=P3	33.0	± 20	168 (140)	0.51 (0.70)	0.63 (0.84)	1.01 (1.19)
#A921CY-390M=P3	39.0	± 20	180 (150)	0.47 (0.66)	0.58 (0.77)	0.98 (1.16)
#A921CY-470M=P3	47.0	± 20	225 (185)	0.43 (0.56)	0.53 (0.71)	0.89 (1.05)
#A921CY-560M=P3	56.0	± 20	264 (220)	0.39 (0.52)	0.48 (0.65)	0.82 (0.97)
#A921CY-680M=P3	68.0	± 20	324 (270)	0.35 (0.45)	0.44 (0.59)	0.73 (0.87)
#A921CY-820M=P3	82.0	± 20	396 (330)	0.32 (0.44)	0.40 (0.54)	0.64 (0.76)
#A921CY-101M=P3	100.0	± 20	498 (415)	0.29 (0.40)	0.36 (0.49)	0.58 (0.69)
#A921CY-151M=P3	150.0	± 20	738 (615)	0.25 (0.33)	0.31 (0.41)	0.44 (0.52)

continued on next page 接下页

continued from previous page 接上页

STANDARD PART NUMBERS 标准零件号码
TYPE D63CB (Low DC resistance Type, Quantity/reel; 1,000 PCS)

零件号码	电感值 ⁽¹⁾	公差	最大直流电阻 ⁽²⁾	最大电感减小电流 ⁽³⁾ (典型)		最大温度上升电流 ⁽³⁾ (典型)
Part Number	Inductance ⁽¹⁾ (μ H)	Tolerance (%)	DC Resistance ⁽²⁾ (m Ω) Max. (Typ.)	Inductance Decrease Current ⁽³⁾ (A) Max. (Typ.)		Temperature Rise Current ⁽³⁾ $\Delta T=40^{\circ}\text{C}$ (A) Max. (Typ.)
				$\frac{\Delta L}{L} = 10\%$	$\frac{\Delta L}{L} = 30\%$	
#A916CY-2R0M=P3	2.0	± 20	19 (16)	2.36 (3.15)	3.00 (4.00)	3.51 (4.14)
#A916CY-2R7M=P3	2.7	± 20	22 (18)	2.17 (2.89)	2.69 (3.59)	3.32 (3.91)
#A916CY-3R3M=P3	3.3	± 20	26 (21)	2.10 (2.80)	2.57 (3.43)	2.99 (3.52)
#A916CY-4R7M=P3	4.7	± 20	32 (26)	1.65 (2.20)	2.08 (2.78)	2.67 (3.15)
#A916CY-6R2M=P3	6.2	± 20	35 (29)	1.41 (1.88)	1.84 (2.45)	2.56 (3.02)
#A916CY-8R2M=P3	8.2	± 20	44 (36)	1.25 (1.66)	1.54 (2.06)	2.24 (2.64)
#A916CY-100M=P3	10.0	± 20	50 (41)	1.15 (1.53)	1.49 (1.99)	2.09 (2.46)
#A916CY-120M=P3	12.0	± 20	62 (52)	0.98 (1.31)	1.28 (1.71)	1.84 (2.17)
#A916CY-150M=P3	15.0	± 20	77 (64)	0.86 (1.14)	1.10 (1.47)	1.64 (1.93)
#A916CY-180M=P3	18.0	± 20	82 (68)	0.80 (1.07)	1.05 (1.40)	1.61 (1.90)
#A916CY-220M=P3	22.0	± 20	106 (88)	0.75 (0.99)	0.97 (1.29)	1.37 (1.62)
#A916CY-270M=P3	27.0	± 20	140 (117)	0.64 (0.85)	0.82 (1.09)	1.18 (1.39)
#A916CY-330M=P3	33.0	± 20	162 (135)	0.60 (0.80)	0.76 (1.01)	1.09 (1.28)
#A916CY-390M=P3	39.0	± 20	191 (159)	0.55 (0.74)	0.70 (0.93)	1.02 (1.20)
#A916CY-470M=P3	47.0	± 20	208 (174)	0.53 (0.70)	0.68 (0.90)	0.95 (1.12)
#A916CY-560M=P3	56.0	± 20	257 (214)	0.47 (0.63)	0.60 (0.80)	0.85 (1.00)
#A916CY-680M=P3	68.0	± 20	319 (266)	0.44 (0.58)	0.56 (0.74)	0.75 (0.89)
#A916CY-820M=P3	82.0	± 20	420 (349)	0.36 (0.48)	0.47 (0.62)	0.65 (0.76)
#A916CY-101M=P3	100.0	± 20	477 (397)	0.36 (0.48)	0.45 (0.60)	0.60 (0.71)

TYPE D63CB (High current Type, Quantity/reel; 1,000 PCS)

零件号码	电感值 ⁽¹⁾	公差	最大直流电阻 ⁽²⁾	最大电感减小电流 ⁽³⁾ (典型)		最大温度上升电流 ⁽³⁾ (典型)
Part Number	Inductance ⁽¹⁾ (μ H)	Tolerance (%)	DC Resistance ⁽²⁾ (m Ω) Max. (Typ.)	Inductance Decrease Current ⁽³⁾ (A) Max. (Typ.)		Temperature Rise Current ⁽³⁾ $\Delta T=40^{\circ}\text{C}$ (A) Max. (Typ.)
				$\frac{\Delta L}{L} = 10\%$	$\frac{\Delta L}{L} = 30\%$	
#A916BY-1R2M=P3	1.2	± 20	20 (16)	4.1 (5.5)	5.6 (7.4)	4.0 (4.8)
#A916BY-1R8M=P3	1.8	± 20	23 (19)	3.6 (4.8)	4.8 (6.4)	3.7 (4.4)
#A916BY-2R2M=P3	2.2	± 20	28 (23)	3.1 (4.2)	4.2 (5.6)	3.3 (3.9)
#A916BY-3R0M=P3	3.0	± 20	32 (26)	2.7 (3.6)	3.8 (5.0)	3.1 (3.7)
#A916BY-4R3M=P3	4.3	± 20	39 (32)	2.2 (3.0)	3.0 (4.0)	2.8 (3.3)
#A916BY-5R1M=P3	5.1	± 20	42 (34)	2.1 (2.8)	2.9 (3.8)	2.7 (3.2)
#A916BY-6R0M=P3	6.0	± 20	49 (41)	1.9 (2.5)	2.5 (3.3)	2.6 (3.1)
#A916BY-7R0M=P3	7.0	± 20	55 (46)	1.8 (2.4)	2.3 (3.1)	2.4 (2.8)
#A916BY-8R1M=P3	8.1	± 20	65 (55)	1.7 (2.3)	2.2 (2.9)	2.1 (2.5)
#A916BY-100M=P3	10	± 20	76 (63)	1.5 (2.0)	2.0 (2.7)	1.9 (2.3)

- (1) Inductance is measured with a LCR meter 4284A (Agilent Technologies) or equivalent.
Test frequency at 100kHz
- (2) DC resistance is measured with 34420A (Agilent Technologies) or 3541(HIOKI). (Reference ambient temperature 25°C)
- (3) Maximum allowable DC current is that which causes a 30% inductance reduction from the initial value, or coil temperature to rise by 40°C, whichever is smaller. (Reference ambient temperature 20°C)

- (1) LCR仪表4284A (Agilent技术)或者功能相同的仪器在100kHz下测试电感值。
- (2) 通过数码万用表34420A (Agilent技术) 或者3541(HIOKI)测试直流电阻。(环境温度为25°C)
- (3) 允许最大直流电的范围是以下两者中比较小的一个: 引起电感值从最初值降低30%, 或者线圈温度升高40°C。(参考周围环境温度20°C)。