

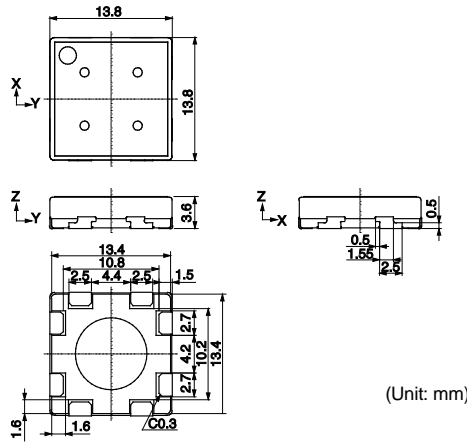
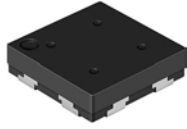
TYPE SA3D14

AEC-Q200

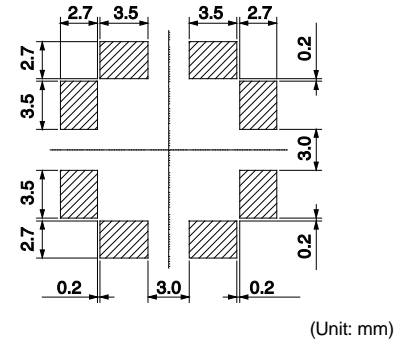
85°C

RoHS

REACH



Recommended patterns
推荐焊盘尺寸



Features

- High reliability conforms to automotive applications.
- Encapsulated core and winding for anti-shock proof.
- High Q and high sensitivity due to optimized magnetic material and electrode structure.
- Wide inductance range for design flexibility.
- Triaxial LF antenna coil.
- Applicable to reflow soldering.
- AEC-Q200 compliant.

特点

- 符合车载的高可靠性。
- 磁芯和卷线部树脂密封，耐冲击构造。
- 独特的磁芯和电极结构实现高Q值高灵敏度。
- 宽泛的电感值范围，设计灵活。
- 3轴低频天线线圈。
- 适合回流焊接。
- 符合AEC-Q200

Applications

- Suitable as a Transponder Antenna Coil for Keyless Entry System. (Vehicle application)
- Operating temperature (-40°C~+85°C)

应用

- 适合用作智能门禁系统的收发天线线圈（车载应用）
- 使用温度范围：-40 ~ +85°C

SELECTION GUIDE FOR STANDARD TRANSFORMERS

TYPE SA3D14

零件号码	测试频率	X轴		Y轴		Z轴		公差
Part Number	Test Frequency (kHz)	Inductance L (mH)	Unloaded Q Min.	Inductance L (mH)	Unloaded Q Min.	Inductance L (mH)	Unloaded Q Min.	Tolerance (%)
1085CAN-222J=P3	125	2.2	20	2.2	20	2.2	20	±5
1085CAN-272J=P3	125	2.7	20	2.7	20	2.7	20	±5
1085CAN-392J=P3	125	3.9	20	3.9	20	3.9	20	±5
1085CAN-452J=P3	125	4.5	20	4.5	20	4.5	20	±5
1085CAN-472J=P3	125	4.7	20	4.7	20	4.7	20	±5
1085CAN-602J=P3	125	6.0	20	6.0	20	6.0	20	±5
1085CAN-2145=P3	125	6.3	20	6.3	20	9.0	20	±5
1085BAN-222J=P3	134.2	2.2	25	2.2	25	2.2	25	±5
1085BAN-272J=P3	134.2	2.7	25	2.7	25	2.7	25	±5
1085BAN-392J=P3	134.2	3.9	25	3.9	25	3.9	25	±5
1085BAN-452J=P3	134.2	4.5	25	4.5	25	4.5	25	±5
1085BAN-472J=P3	134.2	4.7	25	4.7	25	4.7	25	±5
1085BAN-602J=P3	134.2	6.0	25	6.0	25	6.0	25	±5
1085BAN-2239=P3	134.2	4.5	25	4.5	25	7.6	25	±5
Inductance range 电感范围		X: 1.0 ~ 6.3 (mH) Y: 1.0 ~ 6.3 (mH) Z: 1.0 ~ 9.0 (mH)						

If you are looking for inductance other than the above, please contact us.
如果您寻找的电感值不在上述电感值之列，请与我们联系。