

# C3216JB2J153K130AA

TDK Item Description : C3216JB2J153KT\*\*\*\*

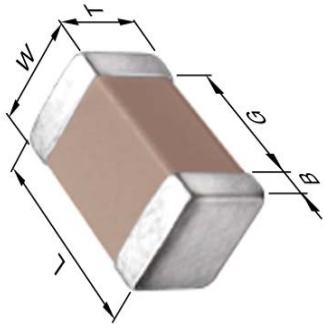


## Application & Main Feature

Commercial Grade ( Mid Voltage (100 to 630V) )

## Series

C3216 [EIA CC1206]



## Dimensions

L	3.20mm	+/-0.2mm
W	1.60mm	+/-0.2mm
T	1.30mm	+/-0.2mm
B	0.20mm	Min.
G	1.00mm	Min.

## Temperature Characteristic

JB (-25 to 85 degC +/-10%)

## Rated Voltage

2J (630Vdc)

## Capacitance

15nF

## Capacitance Tolerance

K (+/-10%)

## Dissipation Factor

3% Max.

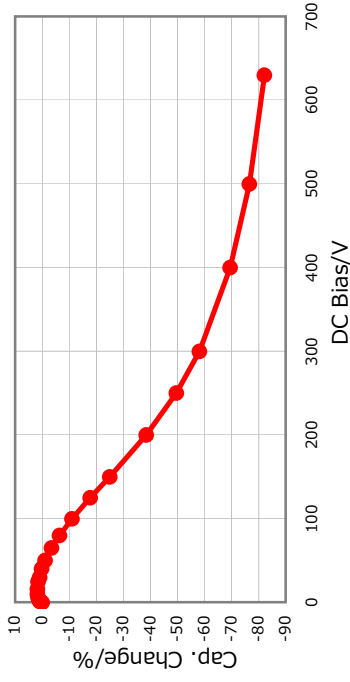
## Insulation Resistance

10Gohm Min.

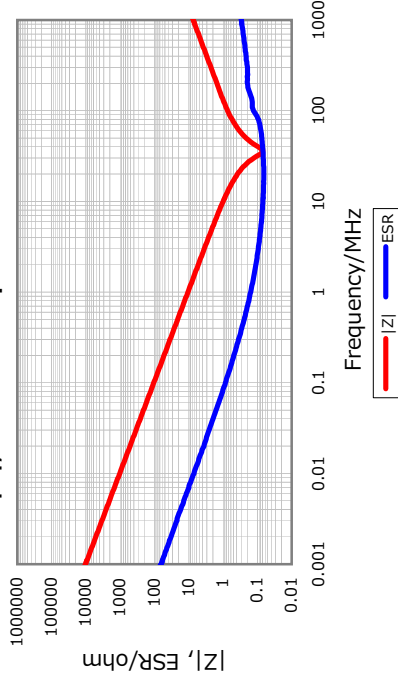
## AEC-Q200

Not Applicable

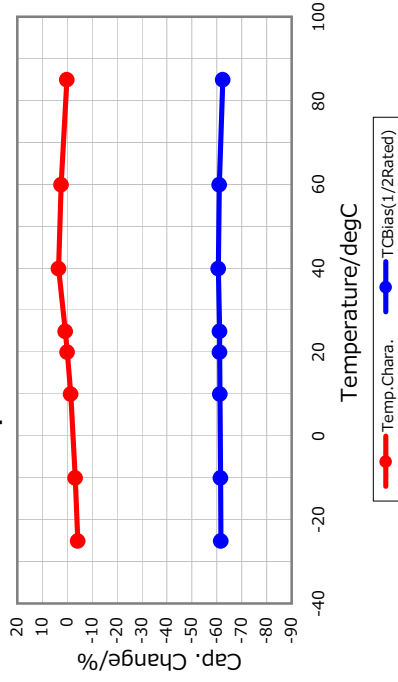
## DC Bias Characteristic



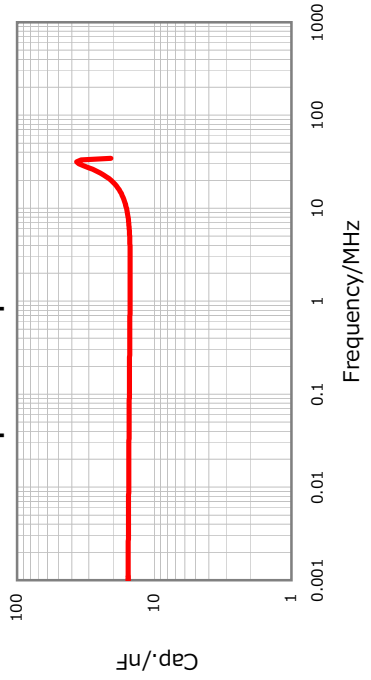
## |Z|, ESR vs. Freq. Characteristics



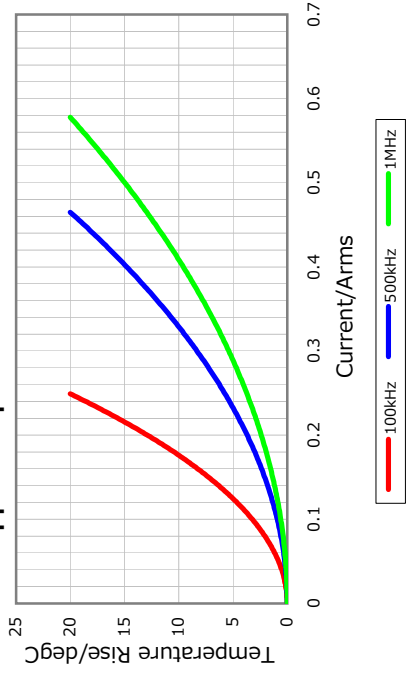
## Temperature Characteristics



## Cap. vs. Freq. Characteristic



## Ripple Temperature Rise Characteristics



All specifications are subject to change without notice.

January 3, 2016