

CGA3E2X8R1E683M080AD

TDK Item Description : CGA3E2X8R1E683MT***B

Equivalent C1608X8R1E683M for Automotive

Application & Main Feature

Automotive Grade (Conductive Epoxy Application)

Series

CGA3(1608) [EIA CC0603]

Dimensions

L	1.60mm	+/-0.15mm
W	0.80mm	+/-0.15mm
T	0.80mm	+/-0.15mm
B	0.20mm	Min.
G	0.30mm	Min.

Temperature Characteristic

X8R (-55 to 150 degC +/-15%)

Rated Voltage

1E (25Vdc)

Capacitance

68nF

Capacitance Tolerance

M (+/-20%)

Dissipation Factor

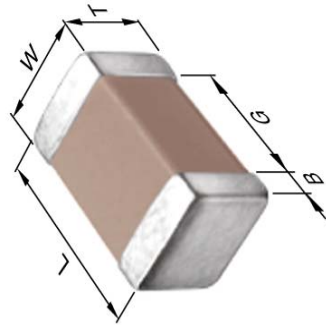
3% Max.

Insulation Resistance

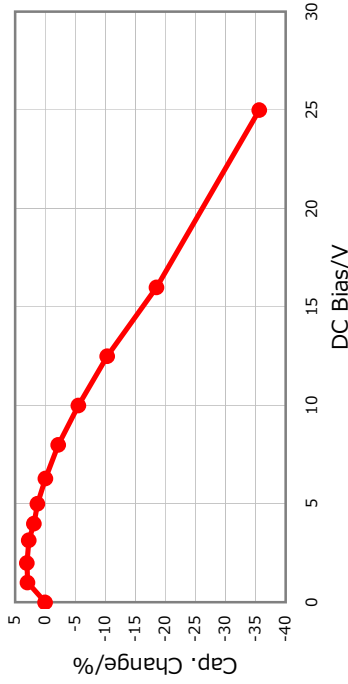
7.35Gohm Min.

AEC-Q200

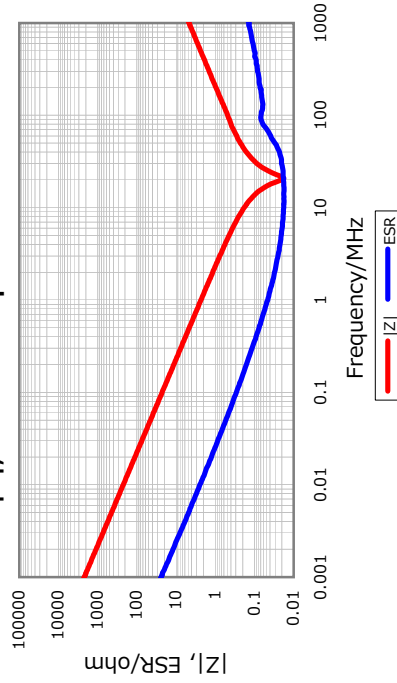
Yes



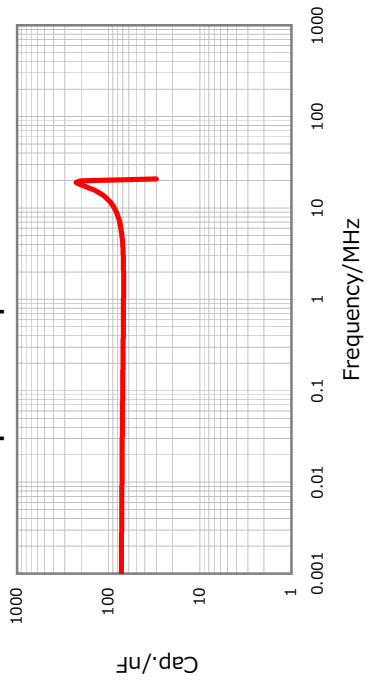
DC Bias Characteristic



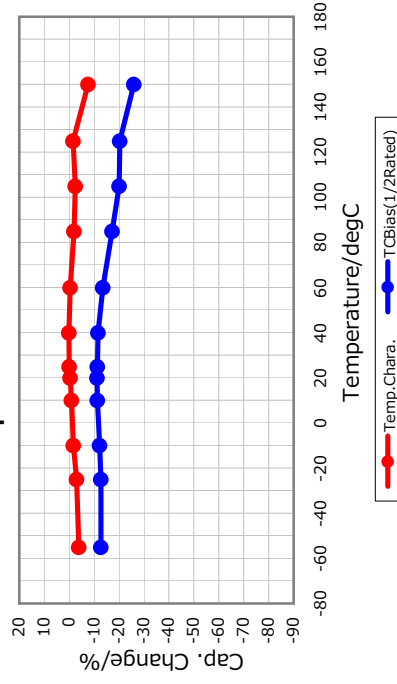
|Z|, ESR vs. Freq. Characteristics



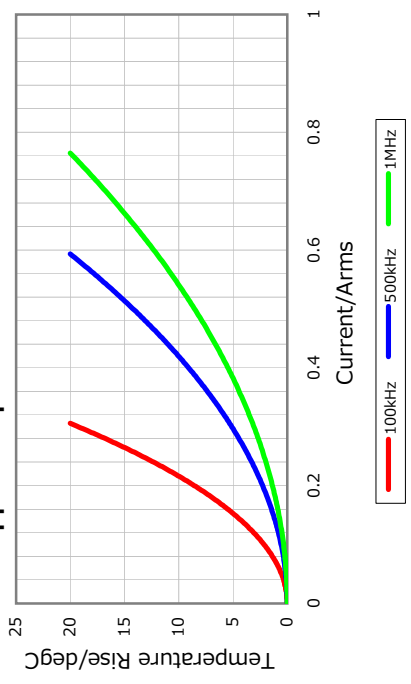
Cap. vs. Freq. Characteristic



Temperature Characteristics



Ripple Temperature Rise Characteristics



All specifications are subject to change without notice.

January 4, 2016

