

# C2012X7R2E153M125AA

TDK Item Description : C2012X7R2E153MT\*\*\*\*

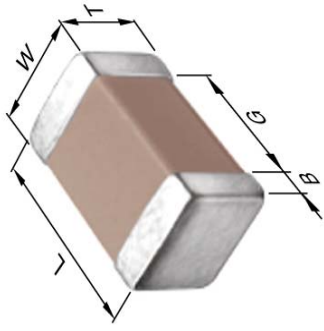


## Application & Main Feature

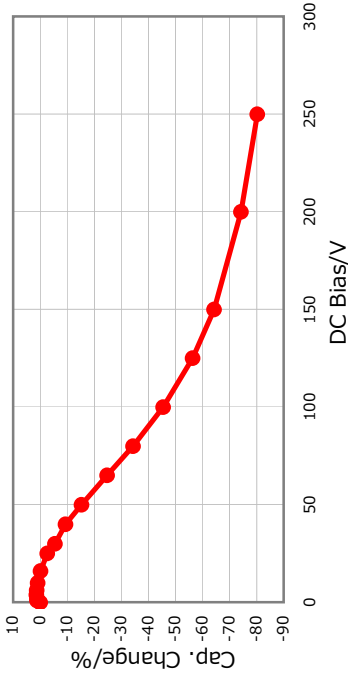
Commercial Grade ( Mid Voltage (100 to 630V) )

## Series

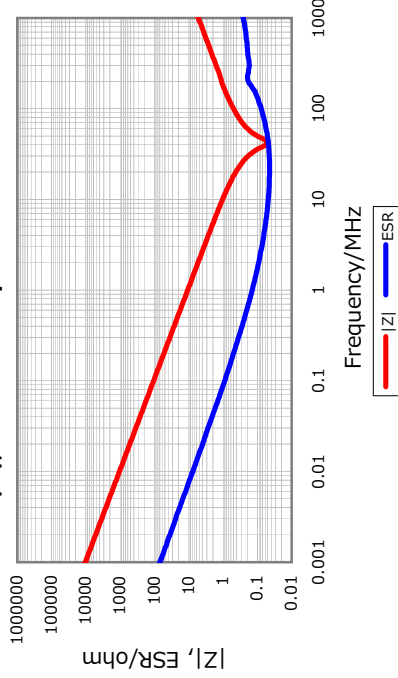
C2012 [EIA CC0805]



## DC Bias Characteristic



## |Z|, ESR vs. Freq. Characteristics



## Temperature Characteristic

X7R (-55 to 125 degC +/-15%)

## Rated Voltage

2E (250Vdc)

## Capacitance

15nF

## Capacitance Tolerance

M (+/-20%)

## Dissipation Factor

3% Max.

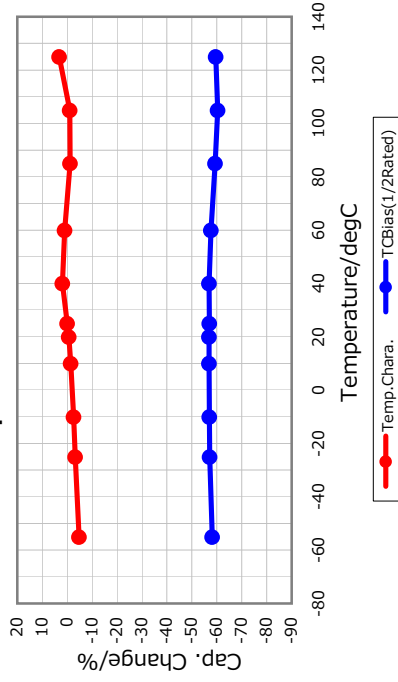
## Insulation Resistance

10Gohm Min.

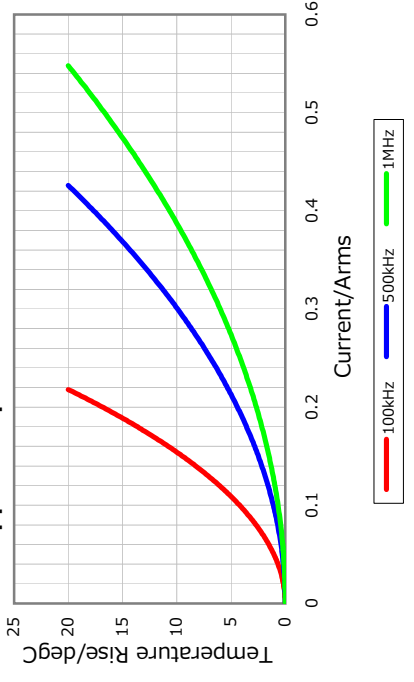
## AEC-Q200

Not Applicable

## Temperature Characteristics



## Ripple Temperature Rise Characteristics



## Cap. vs. Freq. Characteristic

