

CGA2B2C0G1H070D050BD

TDK Item Description : CGA2B2C0G1H070DT**B

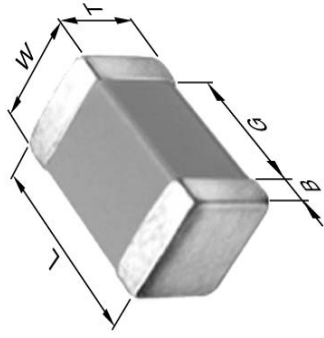
Equivalent C1005C0G1H070D for Automotive

Application & Main Feature

Automotive Grade (Conductive Epoxy Application)

Series

CGA2(1005) [EIA CC0402]



Dimensions

L	1.00mm	+/-0.15mm
W	0.50mm	+/-0.1mm
T	0.50mm	+/-0.1mm
B	0.10mm	Min.
G	0.30mm	Min.

Temperature Characteristic

C0G (-55 to 125 degC 0+/-30ppm/degC)

Rated Voltage

1H (50Vdc)

Capacitance

7pF

Capacitance Tolerance

D (+/-0.5pF)

Q Factor

540 Min.

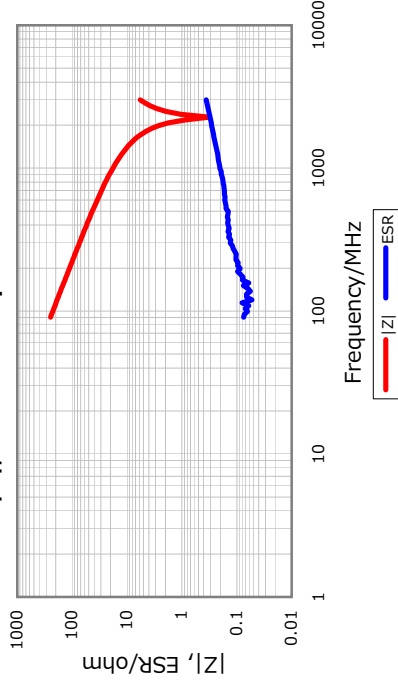
Insulation Resistance

10Gohm Min.

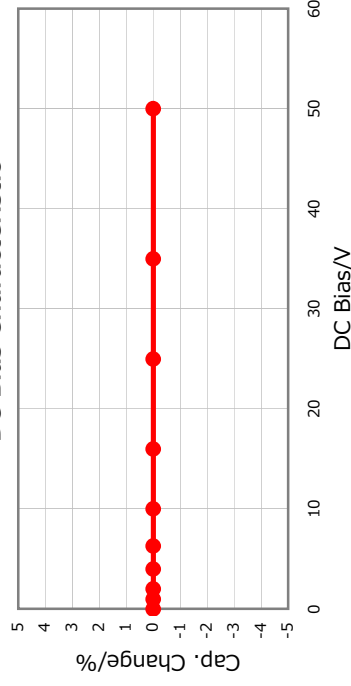
AEC-Q200

Yes

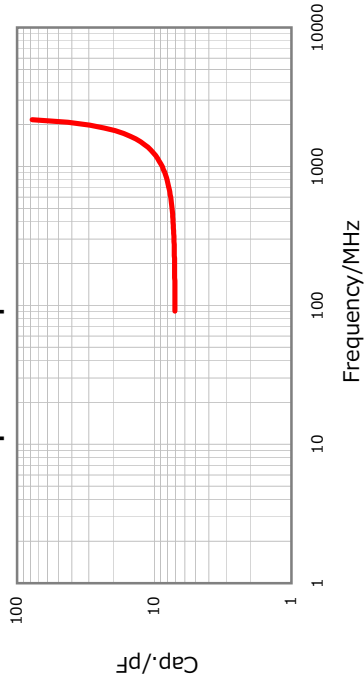
|Z|, ESR vs. Freq. Characteristics



DC Bias Characteristic



Cap. vs. Freq. Characteristic



Temperature Characteristics

