

C4532X7R2A155M230KA

TDK Item Description : C4532X7R2A155MT****

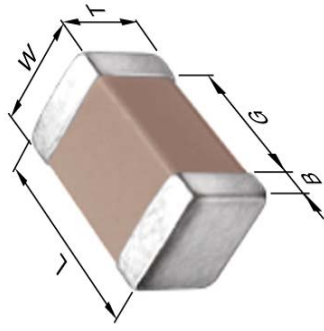


Application & Main Feature

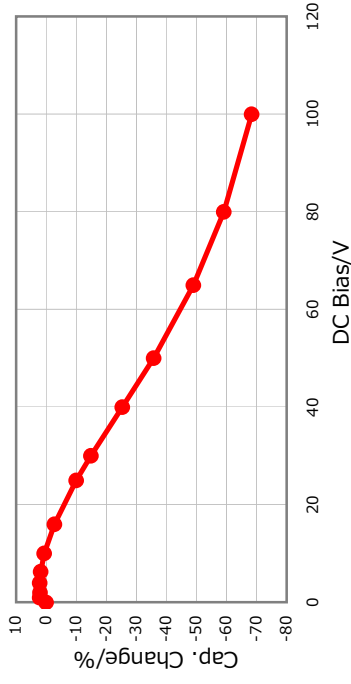
Commercial Grade (Mid Voltage (100 to 630V))

Series

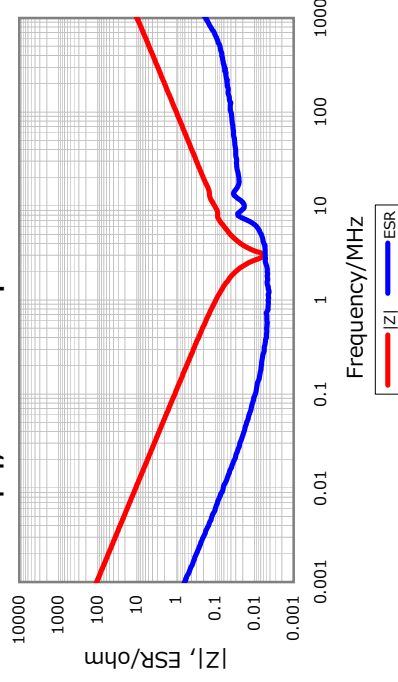
C4532 [EIA CC1812]



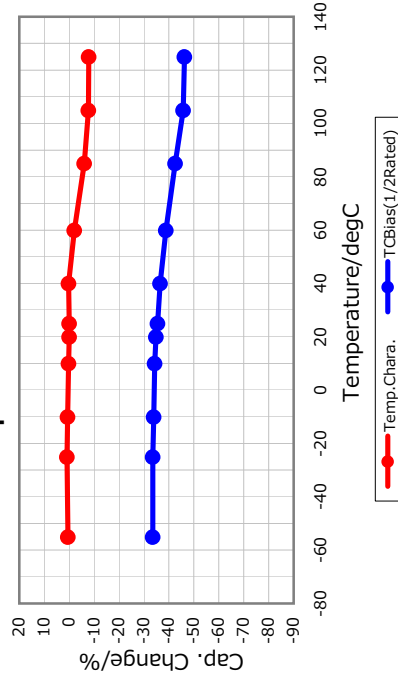
DC Bias Characteristic



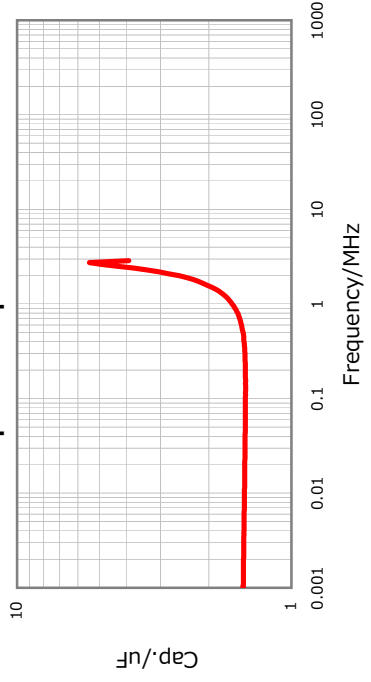
|Z|, ESR vs. Freq. Characteristics



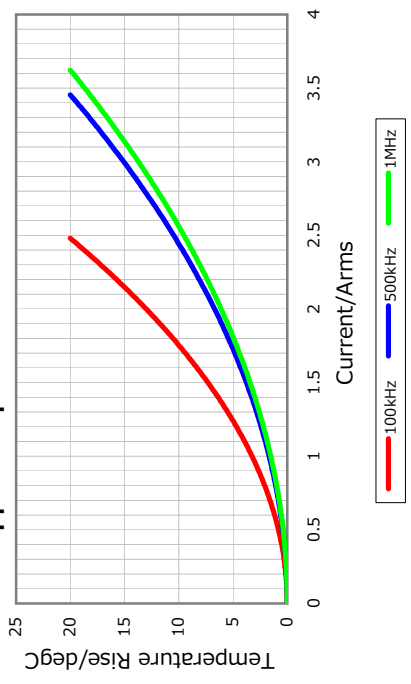
Temperature Characteristics



Cap. vs. Freq. Characteristic



Ripple Temperature Rise Characteristics



Temperature Characteristic

X7R (-55 to 125 degC +/-15%)

Rated Voltage

2A (100Vdc)

Capacitance

1.5uF

Capacitance Tolerance

M (+/-20%)

Dissipation Factor

3% Max.

Insulation Resistance

333Mohm Min.

AEC-Q200

Not Applicable



All specifications are subject to change without notice.

January 4, 2016