

NFL15ST157X0J3#

“#” indicates a package specification code.

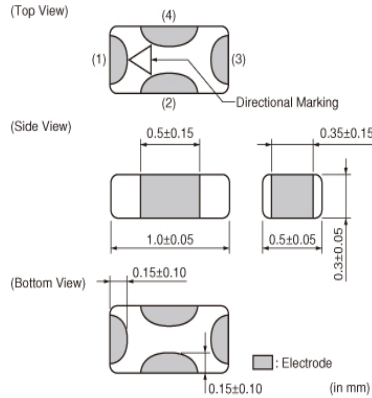


< List of part numbers with package codes >

NFL15ST157X0J3B

NFL15ST157X0J3D

Appearance & Shape



Features

Features (NFL15STseries)

1. This product is compact size EMI suppression filter of 1.0x0.5x0.3mm. It has steep and deep insertion loss characteristics with T-type circuit.
2. This product has large insertion loss in wide frequency range, results to good noise suppression effect.
3. Sharp insertion loss curve enables both high noise suppression effect and low damage to signal waveform.
4. There are 4 line up of cutoff frequency between 150MHz to 500MHz.

Application

EMI suppression of clock lines, video lines.

Applications

Other Usage	For general
-------------	-------------

Packaging Information

Packaging	Specifications	Standard Packing Quantity
B	Bulk(Bag)	500
D	180mm Paper Tape	10000

Attention

1.This datasheet is downloaded from the website of Murata Manufacturing Co., Ltd. Therefore, it's specifications are subject to change or our products in it may be discontinued without advance notice. Please check with our sales representatives or product engineers before ordering.

2.This datasheet has only typical specifications because there is no space for detailed specifications.

Therefore, please review our product specifications or consult the approval sheet for product specifications before ordering.

NFL15ST157X0J3#

“#” indicates a package specification code.



Specifications

Shape	SMD
Size Code (in inch)	0402
Length	1.0mm
Length Tolerance	±0.05mm
Width	0.5mm
Width Tolerance	±0.05mm
Thickness	0.3mm
Thickness Tolerance	±0.05mm
Operating Temperature Range	-40°C to 85°C
Mass(typ.)	0.0005g
Number of Circuit	1
Rated Current	50mA
Rated Voltage	6.3Vdc
Withstanding Voltage	18.9Vdc
Insulation Resistance(min.)	1000MΩ
Insertion Loss	6dB max.(0 to 150MHz),25dB min.(400 to 1000MHz)
Nominal Cut-off Frequency	150MHz
Capacitance	22pF
Inductance	115nH
Size Code (in mm)	1005

Attention

1.This datasheet is downloaded from the website of Murata Manufacturing Co., Ltd. Therefore, it's specifications are subject to change or our products in it may be discontinued without advance notice. Please check with our sales representatives or product engineers before ordering.

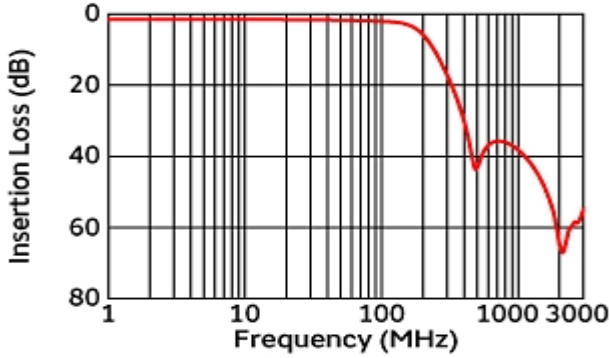
2.This datasheet has only typical specifications because there is no space for detailed specifications.

Therefore, please review our product specifications or consult the approval sheet for product specifications before ordering.

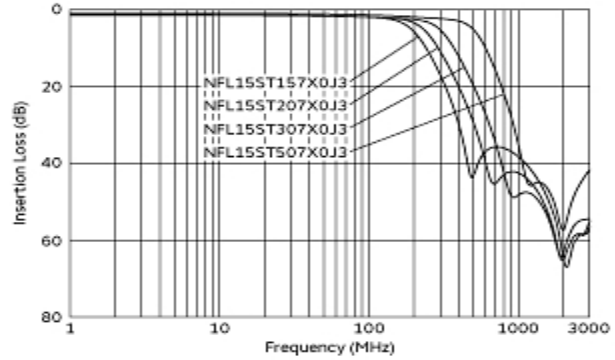
NFL15ST157X0J3#

"#" indicates a package specification code.

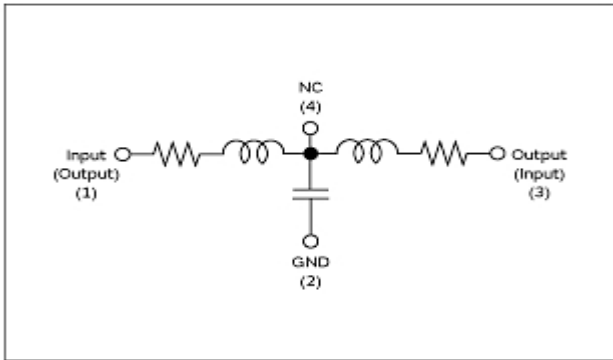
Product Data



Insertion Loss Characteristics



Insertion Loss Characteristics (Main Items)



Equivalent Circuit

Attention

- 1.This datasheet is downloaded from the website of Murata Manufacturing Co., Ltd. Therefore, it's specifications are subject to change or our products in it may be discontinued without advance notice. Please check with our sales representatives or product engineers before ordering.
- 2.This datasheet has only typical specifications because there is no space for detailed specifications. Therefore, please review our product specifications or consult the approval sheet for product specifications before ordering.