

CGA6L1X7S3A472K160AA

TDK Item Description : CGA6L1X7S3A472KT*****

Equivalent C3225X7S3A472K for Automotive

Application & Main Feature

Automotive Grade (High Voltage (1000V and over))

Series

CGA6(3225) [EIA CC1210]

Dimensions

L	3.20mm	+/-0.4mm
W	2.50mm	+/-0.3mm
T	1.60mm	+/-0.2mm
B	0.20mm Min.	
G		

Temperature Characteristic

X7S (-55 to 125 degC +/-22%)

Rated Voltage

3A (1000Vdc)

Capacitance

4.7nF

Capacitance Tolerance

K (+/-10%)

Dissipation Factor

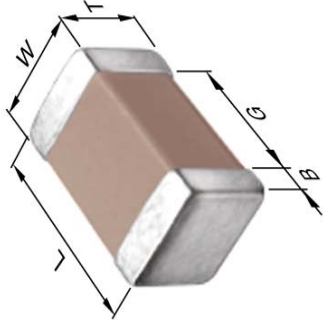
3% Max.

Insulation Resistance

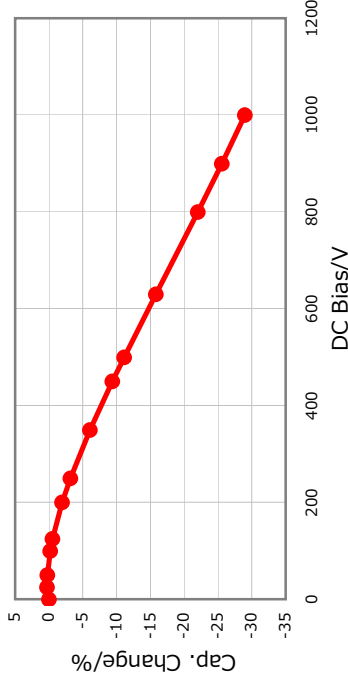
10Gohm Min.

AEC-Q200

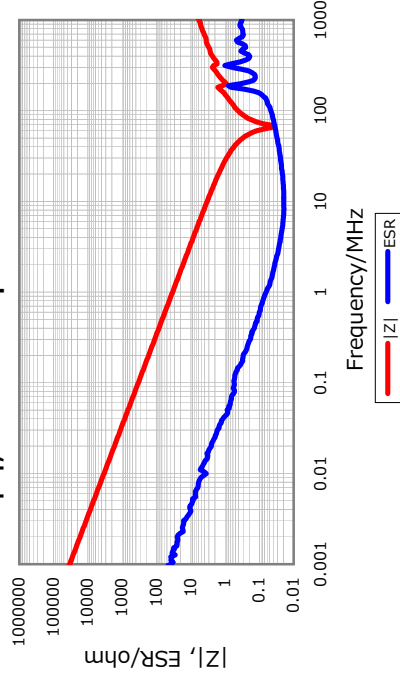
Not Applicable



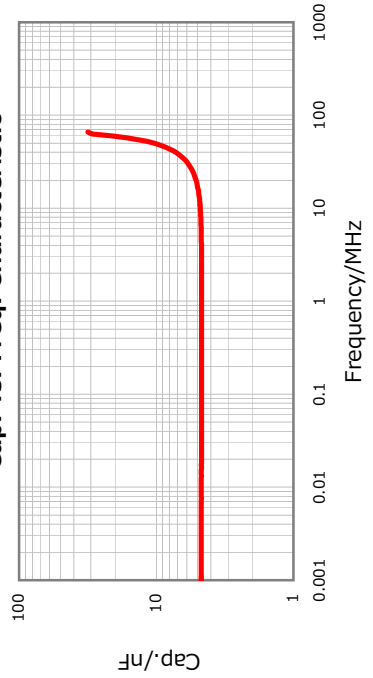
DC Bias Characteristic



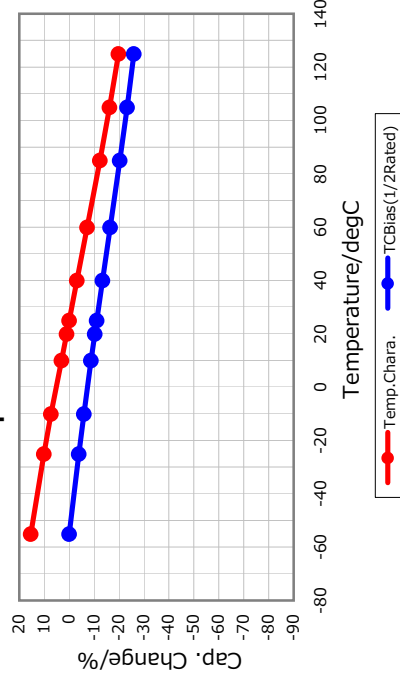
|Z|, ESR vs. Freq. Characteristics



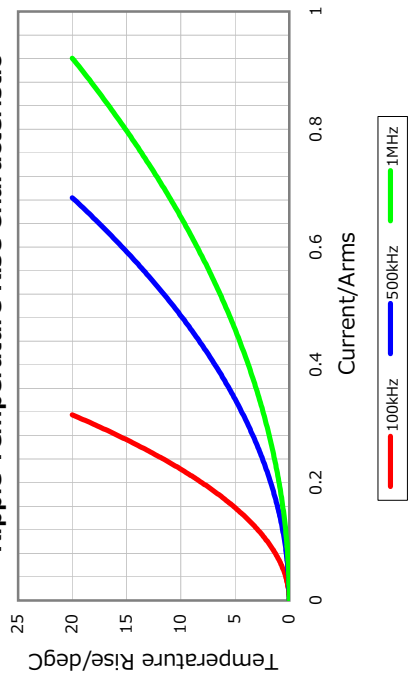
Cap. vs. Freq. Characteristic



Temperature Characteristic



Ripple Temperature Rise Characteristic



All specifications are subject to change without notice.

September 28, 2013