

DST9NB32A222Q93#

“#” indicates a package specification code.

Specifications

Shape	Lead
Length	9.5mm
Length Tolerance	max.
Width	4.0mm
Width Tolerance	max.
Thickness	15.5mm
Thickness Tolerance	max.
Rated Current	6A
Operating Temperature Range	-25°C to 85°C
Mass(typ.)	1.0g
Number of Circuit	1
Insulation Resistance(min.)	10000MΩ
Rated Voltage	100Vdc
Withstanding Voltage	250Vdc
Capacitance	2200pF
Capacitance Tolerance	±20%
Structure/Shape	Beads outside

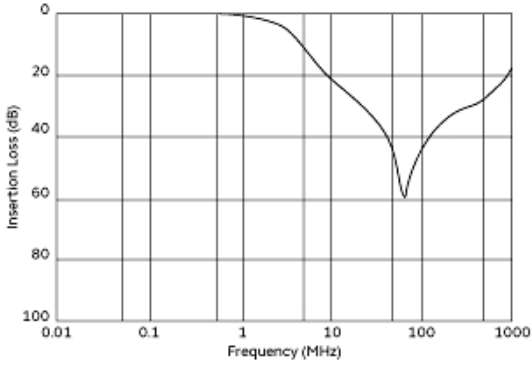
Attention

- 1.This datasheet is downloaded from the website of Murata Manufacturing Co., Ltd. Therefore, it's specifications are subject to change or our products in it may be discontinued without advance notice. Please check with our sales representatives or product engineers before ordering.
- 2.This datasheet has only typical specifications because there is no space for detailed specifications. Therefore, please review our product specifications or consult the approval sheet for product specifications before ordering.

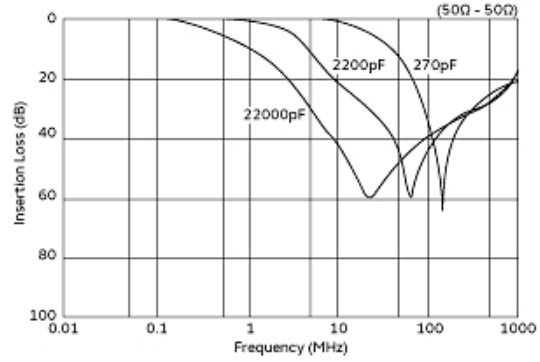
DST9NB32A222Q93#

“#” indicates a package specification code.

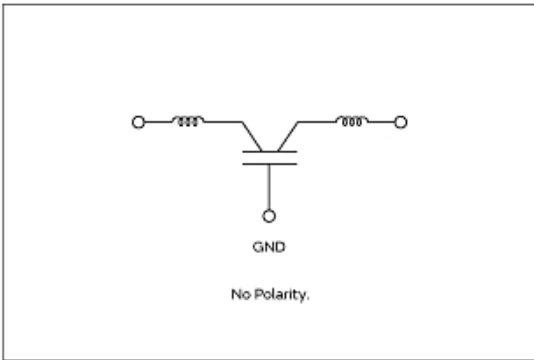
Product Data



Insertion Loss Characteristics



Insertion Loss Characteristics (Main Items)



Equivalent Circuit

Attention

- 1.This datasheet is downloaded from the website of Murata Manufacturing Co., Ltd. Therefore, it's specifications are subject to change or our products in it may be discontinued without advance notice. Please check with our sales representatives or product engineers before ordering.
- 2.This datasheet has only typical specifications because there is no space for detailed specifications.
Therefore, please review our product specifications or consult the approval sheet for product specifications before ordering.