

# DXP18CN7515T#

“#” indicates a package specification code.

To be discontinued

RoHS

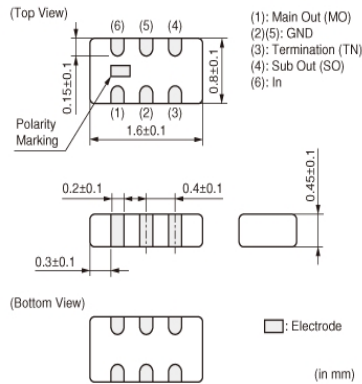
REACH

< List of part numbers with package codes >

DXP18CN7515TB

DXP18CN7515TL

## Appearance & Shape



## Features

1. Ultra Miniature coupler of film type (1.6x0.8x0.45mm)
2. Low Insertion Loss and high Isolation characteristics in wide band frequency range
3. High density mount is possible by SMD type

### Applications

1. Set Top Box for CATV
2. FM-VICS

## Applications

Other Usage	For general
-------------	-------------

## Packaging Information

Packaging	Specifications	Standard Packing Quantity
B	Bulk(Bag)	500
L	180mm Embossed Tape	5000

### Attention

1. This datasheet is downloaded from the website of Murata Manufacturing Co., Ltd. Therefore, its specifications are subject to change or our products in it may be discontinued without advance notice. Please check with our sales representatives or product engineers before ordering.
2. This datasheet has only typical specifications because there is no space for detailed specifications. Therefore, please review our product specifications or consult the approval sheet for product specifications before ordering.

# DXP18CN7515T#

“#” indicates a package specification code.

## Specifications

Operating Temperature Range	-40°C to 85°C
Frequency Range	50MHz to 870MHz
Insertion Loss	1.5dB max.(at Freq. Range)
Isolation(min.)	20dB(at Freq. Range)
Size Code (in mm)	1608
Size Code (in inch)	0603
Length	1.6mm
Length Tolerance	±0.1mm
Width	0.8mm
Width Tolerance	±0.1mm
Thickness	0.45mm
Thickness Tolerance	±0.1mm
Power Rating	20dBm
Port Impedance	75Ω ALL
Coupling Loss(typ.)	15dB
Mass(typ.)	0.003g

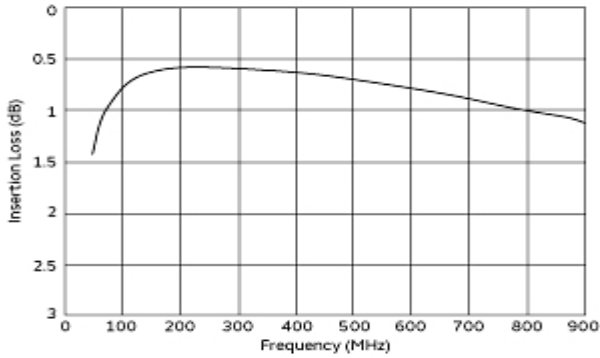
### Attention

- 1.This datasheet is downloaded from the website of Murata Manufacturing Co., Ltd. Therefore, it's specifications are subject to change or our products in it may be discontinued without advance notice. Please check with our sales representatives or product engineers before ordering.
- 2.This datasheet has only typical specifications because there is no space for detailed specifications. Therefore, please review our product specifications or consult the approval sheet for product specifications before ordering.

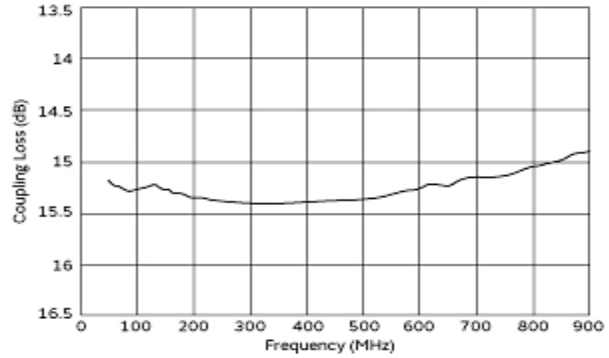
# DXP18CN7515T#

"#" indicates a package specification code.

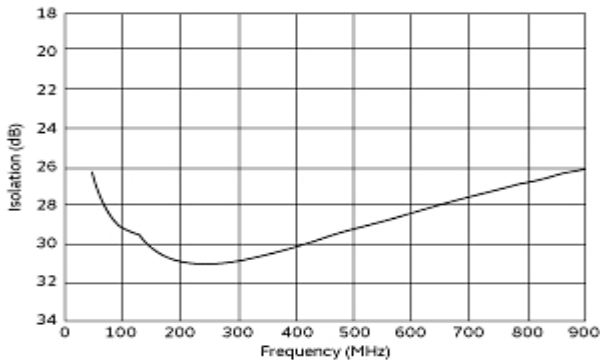
## Product Data



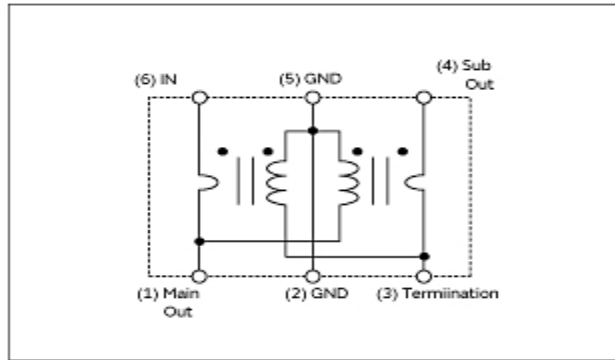
Insertion Loss Characteristics



Coupling Loss Characteristics



Isolation Characteristics



Equivalent Circuit

**Attention**

1. This datasheet is downloaded from the website of Murata Manufacturing Co., Ltd. Therefore, its specifications are subject to change or our products in it may be discontinued without advance notice. Please check with our sales representatives or product engineers before ordering.
2. This datasheet has only typical specifications because there is no space for detailed specifications. Therefore, please review our product specifications or consult the approval sheet for product specifications before ordering.