

LQW2BANR12G00#

“#” indicates a package specification code.

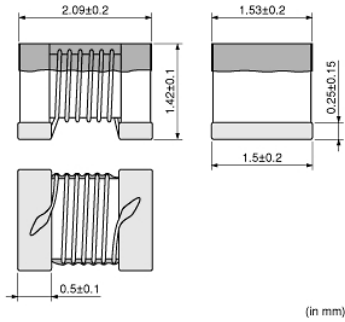
0805(inch)/2015(mm) size, horizontal wound inductor.



< List of part numbers with package codes >

LQW2BANR12G00B LQW2BANR12G00K LQW2BANR12G00L

Appearance & Shape



References

Packaging	Specifications	Standard Packing Quantity
B	Bulk(Bag)	500
K	330Embossed Tape	8000
L	180Embossed Tape	2000

Mass (typ.)	
1 piece	0.014g

Notices

Please consider 'Notice (Rating).' When rated current is applied to the products, self-temperature rise shall be limited to 40°C max.

Attention
 1.This datasheet is downloaded from the website of Murata Manufacturing Co., Ltd. Therefore, it's specifications are subject to change or our products in it may be discontinued without advance notice. Please check with our sales representatives or product engineers before ordering.
 2.This datasheet has only typical specifications because there is no space for detailed specifications.
 Therefore, please review our product specifications or consult the approval sheet for product specifications before ordering.

LQW2BANR12G00#

“#” indicates a package specification code.



Specifications

L size	2.09±0.2mm
W size	1.53±0.2mm
T size	1.42±0.1mm
Size code inch (mm)	0805 (2015)
Inductance	120nH±2%
Inductance Test Frequency	150MHz
Rated current (Itemp) (Based on Temperature rise)	970mA
Max. of DC resistance	0.38Ω
Operating Temperature Range (Self-temperature rise is included)	-55°C to 125°C
Q(min.)	57
Q Test Frequency	250MHz
Self resonance frequency (min.)	1200MHz
Brand	Murata
Series	LQW2BAN_00

Attention

- 1.This datasheet is downloaded from the website of Murata Manufacturing Co., Ltd. Therefore, it's specifications are subject to change or our products in it may be discontinued without advance notice. Please check with our sales representatives or product engineers before ordering.
- 2.This datasheet has only typical specifications because there is no space for detailed specifications.
Therefore, please review our product specifications or consult the approval sheet for product specifications before ordering.

LQW2BANR12G00#

“#” indicates a package specification code.

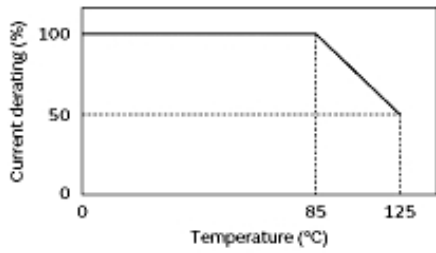


Notice For General

In operating temperatures exceeding +85°C, derating of current is necessary for this series.

Please apply the derating curve shown in the chart according to the operating temperature.

Derating of Rated Current



Attention

- 1.This datasheet is downloaded from the website of Murata Manufacturing Co., Ltd. Therefore, it's specifications are subject to change or our products in it may be discontinued without advance notice. Please check with our sales representatives or product engineers before ordering.
- 2.This datasheet has only typical specifications because there is no space for detailed specifications. Therefore, please review our product specifications or consult the approval sheet for product specifications before ordering.

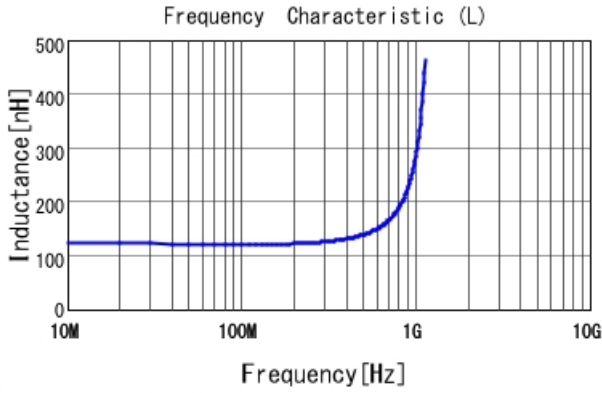
LQW2BANR12G00#

"#" indicates a package specification code.

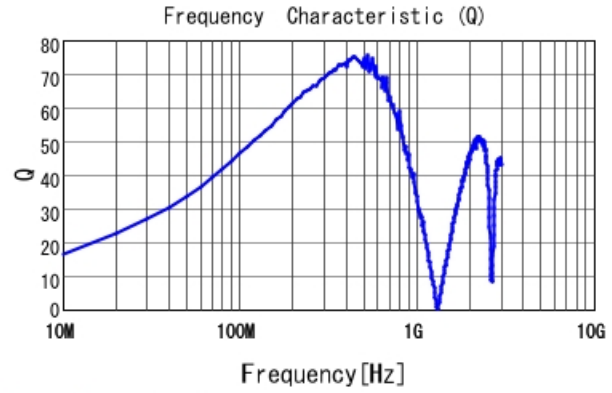


Characteristic Data

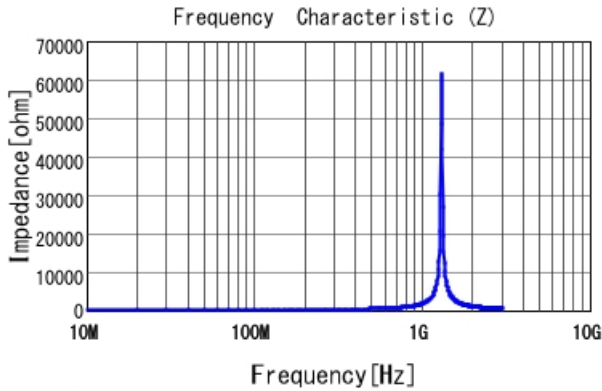
The charts below may show another part number which shares its characteristics.



LQW2BANR12G00 L



LQW2BANR12G00 Q



LQW2BANR12G00 |Z|

Attention

- 1.This datasheet is downloaded from the website of Murata Manufacturing Co., Ltd. Therefore, it's specifications are subject to change or our products in it may be discontinued without advance notice. Please check with our sales representatives or product engineers before ordering.
- 2.This datasheet has only typical specifications because there is no space for detailed specifications. Therefore, please review our product specifications or consult the approval sheet for product specifications before ordering.