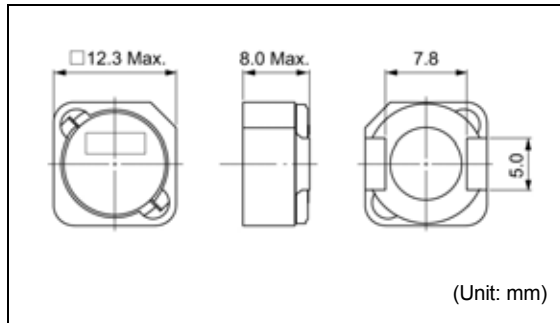
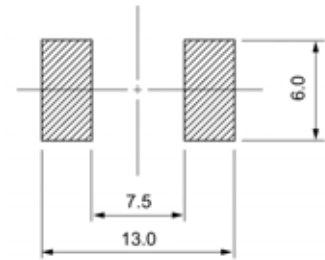


# D128C

Inductance Range: 1.4~47μH


**Recommended patterns**  
 推荐焊盘尺寸

**FEATURES 特点**

- 12.3mm Max. square and 8.0mm Max. height.
- Magnetically shielded construction low DC resistance.
- Suitable for large current.
- Ideal for DC-DC converter inductor applications.
- RoHS compliant.
- 最大12.3毫米的平面，最大高度8.0毫米
- 磁性屏蔽结构和低直流电阻
- 适合于大电流
- DC-DC转换器电感器的理想选择
- 符合RoHS指令

**STANDARD PART NUMBERS 标准零件号码**
**TYPE D128C (Quantity/reel; 400 PCS)**

零件号码	电感值 <sup>(1)</sup>	公差	最大直流电阻 <sup>(2)</sup> (典型)	最大电感值减小电流 <sup>(3)</sup> (典型)	最大温度上升电流 <sup>(3)</sup> (典型)
Part Number	Inductance <sup>(1)</sup> (μH)	Tolerance (%)	DC Resistance <sup>(2)</sup> (mΩ) Max. (Typ.)	Inductance Decrease Current <sup>(3)</sup> (A) Max. (Typ.) $\frac{\Delta L}{L} = 10\%$	Temperature Rise Current <sup>(3)</sup> ΔT=40°C (A) Max. (Typ.)
#931AS-1R4N=P3	1.4	± 30	4.1 (3.0)	15.0 (20.0)	12.8 (15.1)
#931AS-2R3N=P3	2.3	± 30	5.0 (4.2)	12.6 (16.8)	11.9 (14.0)
#931AS-3R4M=P3	3.4	± 20	6.7 (5.6)	10.6 (14.2)	10.9 (12.8)
#931AS-4R7M=P3	4.7	± 20	9.6 (8.0)	8.7 (11.7)	8.5 (10.0)
#931AS-6R3M=P3	6.3	± 20	11.0 (9.2)	7.9 (10.5)	8.0 (9.4)
#931AS-8R0M=P3	8.0	± 20	12.0 (10.0)	6.4 (8.6)	7.7 (9.0)
#931BS-100M=P3	10	± 20	12.7 (11.0)	5.8 (7.8)	7.4 (8.7)
#931BS-120M=P3	12	± 20	14.0 (12.2)	5.3 (7.1)	6.8 (8.0)
#931BS-150M=P3	15	± 20	15.8 (13.7)	4.6 (6.2)	6.4 (7.5)
#931BS-180M=P3	18	± 20	24.0 (20.9)	4.4 (5.9)	5.1 (6.1)
#931BS-220M=P3	22	± 20	28.3 (24.6)	3.9 (5.1)	4.5 (5.3)
#931BS-270M=P3	27	± 20	32.7 (28.4)	3.5 (4.7)	4.3 (5.1)
#931BS-330M=P3	33	± 20	44.0 (38.3)	3.1 (4.1)	3.7 (4.4)
#931BS-420M=P3	42	± 20	52.6 (45.8)	3.0 (4.0)	3.3 (3.9)
#931BS-470M=P3	47	± 20	55.6 (48.3)	2.8 (3.7)	3.1 (3.6)

(1) Inductance is measured with a LCR meter 4284A (Agilent Technologies) or equivalent.  
Test frequency at 100kHz

(2) DC resistance is measured with 34420A (Agilent Technologies) or 3541(HIOKI). (Reference ambient temperature 25°C)

(3) Maximum allowable DC current is that which causes a 10% inductance reduction from the initial value, or coil temperature to rise by 40°C, whichever is smaller. (Reference ambient temperature: 20°C)

(1) LCR仪表4284A (Agilent技术)或者功能相同的仪器在100kHz下测试电感值。

(2) 通过数码万用表34420A (Agilent技术) 或者3541(HIOKI)测试直流电阻。(环境温度为25°C)

(3) 允许最大直流电的范围是以下两者中比较小的一个: 引起电感值从最初值降低10%, 或者线圈温度升高40°C。(参考周围环境温度20°C)。