

# CGA3E2C0G2A3R3C080AD

TDK Item Description : CGA3E2C0G2A3R3CT\*\*\*B

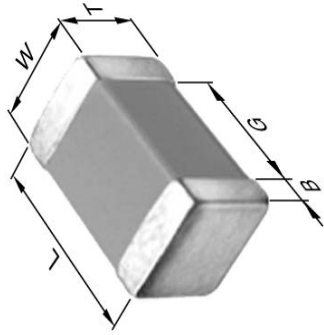
Equivalent C1608C0G2A3R3C for Automotive

## Application & Main Feature

Automotive Grade ( Conductive Epoxy Application )

## Series

CGA3(1608) [EIA CC0603]



## Dimensions

L	1.60mm	+/-0.15mm
W	0.80mm	+/-0.15mm
T	0.80mm	+/-0.15mm
B	0.20mm	Min.
G	0.30mm	Min.

## Temperature Characteristic

C0G (-55 to 125 degC 0+/-30ppm/degC)

## Rated Voltage

2A (100Vdc)

## Capacitance

3.3pF

## Capacitance Tolerance

C (+/-0.25pF)

## Q Factor

466 Min.

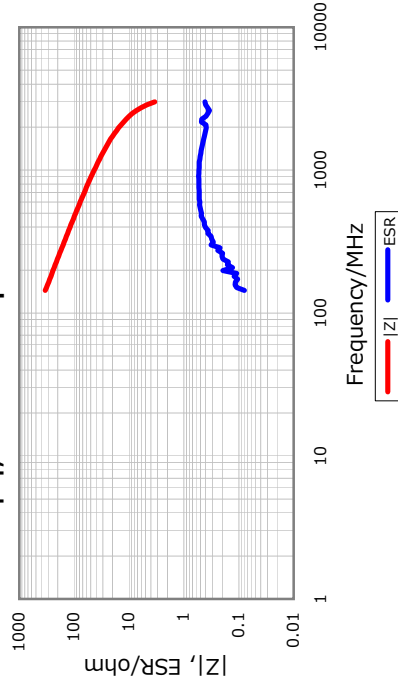
## Insulation Resistance

10Gohm Min.

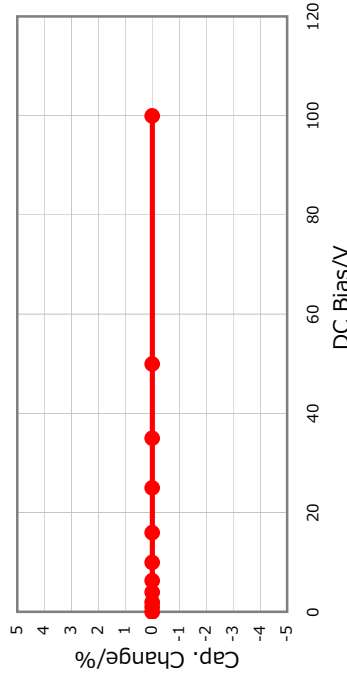
## AEC-Q200

Yes

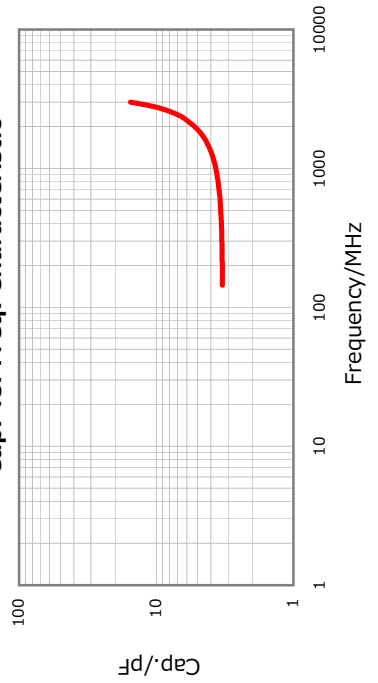
## |Z|, ESR vs. Freq. Characteristics



## DC Bias Characteristic



## Cap. vs. Freq. Characteristic



## Temperature Characteristics

