

# CGA2B3X7R1H153K050BD

TDK Item Description : CGA2B3X7R1H153KT\*\*\*B

Equivalent C1005X7R1H153K for Automotive

## Application & Main Feature

Automotive Grade ( Conductive Epoxy Application )

## Series

CGA2(1005) [EIA CC0402]

### Dimensions

L	1.00mm	+/-0.15mm
W	0.50mm	+/-0.1mm
T	0.50mm	+/-0.1mm
B	0.10mm	Min.
G	0.30mm	Min.

### Temperature Characteristic

X7R (-55 to 125 degC +/-15%)

### Rated Voltage

1H (50Vdc)

### Capacitance

15nF

### Capacitance Tolerance

K (+/-10%)

### Dissipation Factor

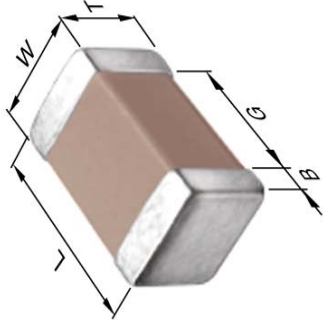
5% Max.

### Insulation Resistance

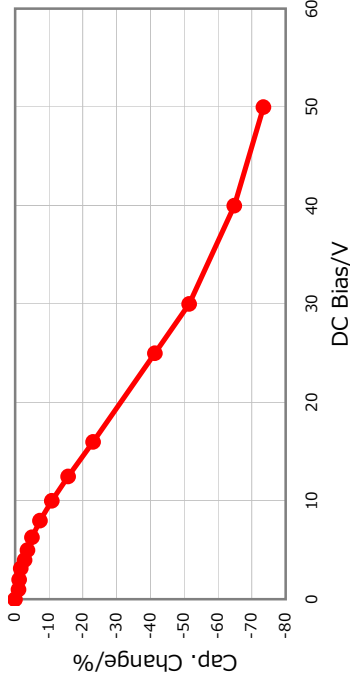
10Gohm Min.

### AEC-Q200

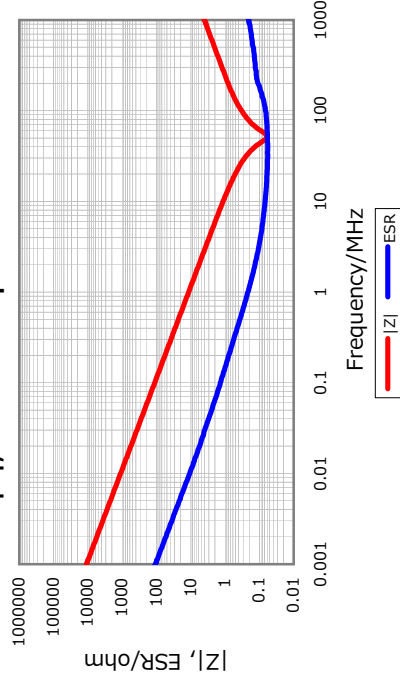
Yes



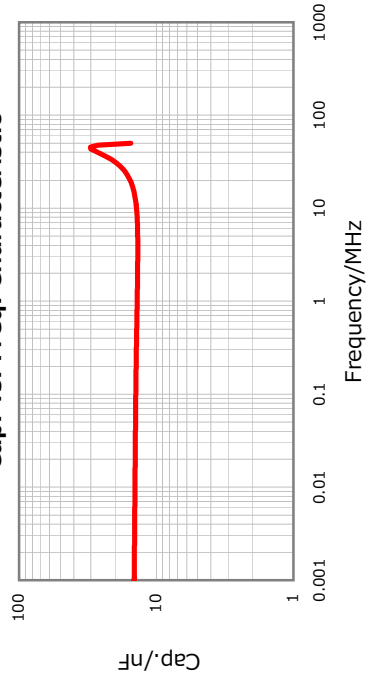
### DC Bias Characteristic



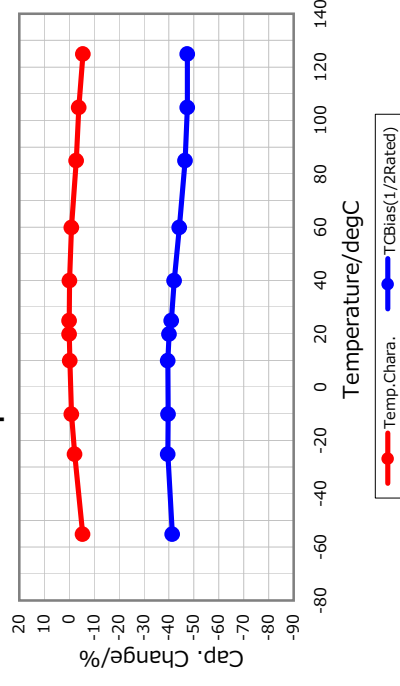
### |Z|, ESR vs. Freq. Characteristics



### Cap. vs. Freq. Characteristic



### Temperature Characteristics



### Ripple Temperature Rise Characteristics

