

C3225JB2E104M200AA

TDK Item Description : C3225JB2E104MT*****



Application & Main Feature

Commercial Grade (Mid Voltage (100 to 630V))

Series

C3225 [EIA CC1210]

Dimensions

L	3.20mm	+/-0.4mm
W	2.50mm	+/-0.3mm
T	2.00mm	+/-0.2mm
B	0.20mm	Min.
G		

Temperature Characteristic

JB (-25 to 85 degC +/-10%)

Rated Voltage

2E (250Vdc)

Capacitance

100nF

Capacitance Tolerance

M (+/-20%)

Dissipation Factor

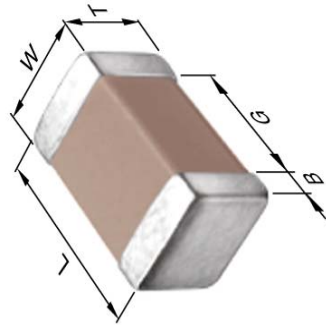
3% Max.

Insulation Resistance

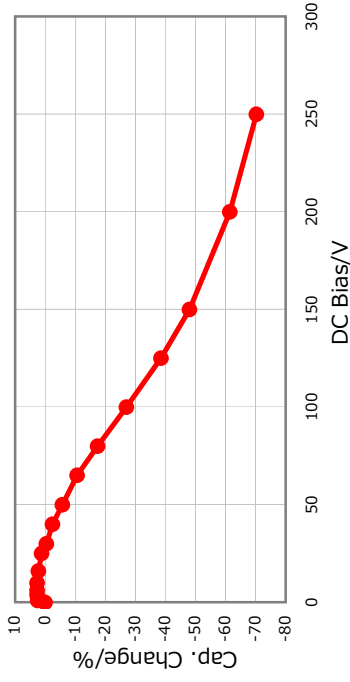
5Gohm Min.

AEC-Q200

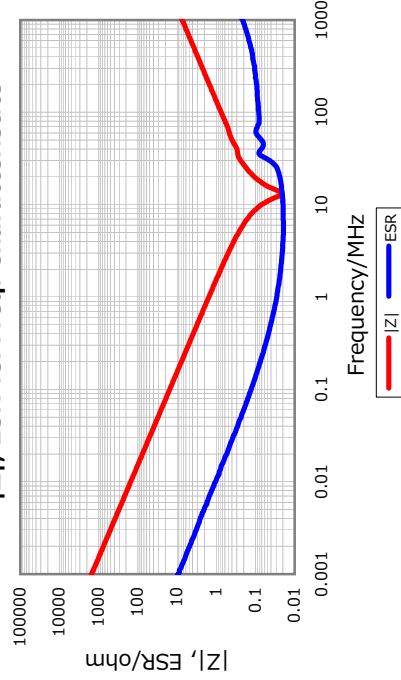
Not Applicable



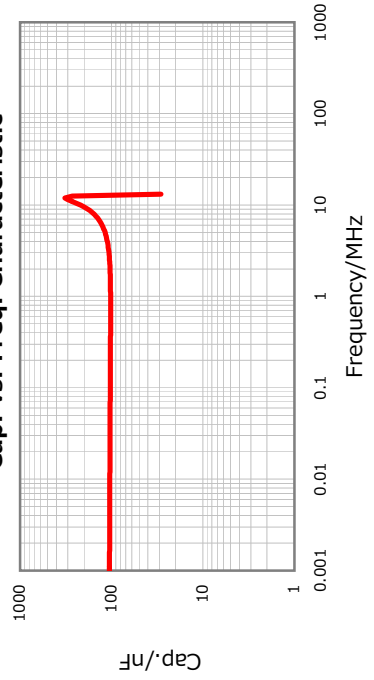
DC Bias Characteristic



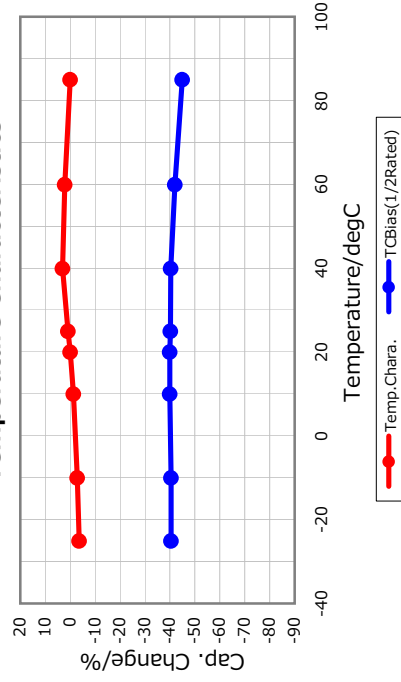
|Z|, ESR vs. Freq. Characteristics



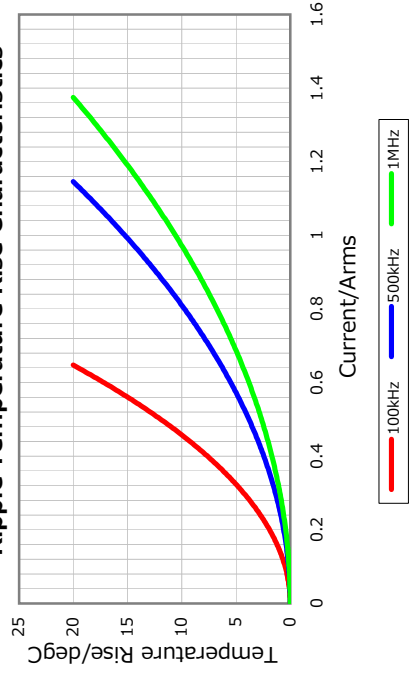
Cap. vs. Freq. Characteristic



Temperature Characteristics



Ripple Temperature Rise Characteristics



All specifications are subject to change without notice.

January 4, 2016