

# CGA9M3X7S2A685M200KB

TDK Item Description : CGA9M3X7S2A685MT\*\*\*\*\*



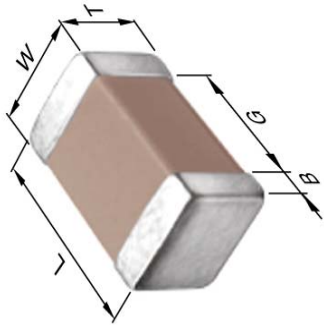
Equivalent C5750X7S2A685M for Automotive

## Application & Main Feature

Automotive Grade ( Mid Voltage (100 to 630V) )

## Series

CGA9(5750) [EIA CC2220]



## Dimensions

L	5.70mm	+/-0.4mm
W	5.00mm	+/-0.4mm
T	2.00mm	+/-0.2mm
B	0.20mm Min.	
G		

## Temperature Characteristic

X7S (-55 to 125 degC +/-22%)

## Rated Voltage

2A (100Vdc)

## Capacitance

6.8uF

## Capacitance Tolerance

M (+/-20%)

## Dissipation Factor

5% Max.

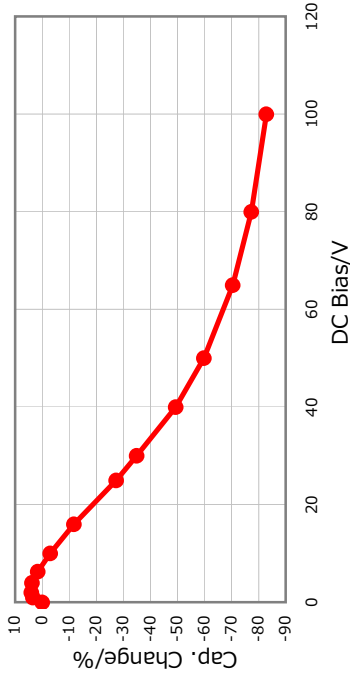
## Insulation Resistance

73Mohm Min.

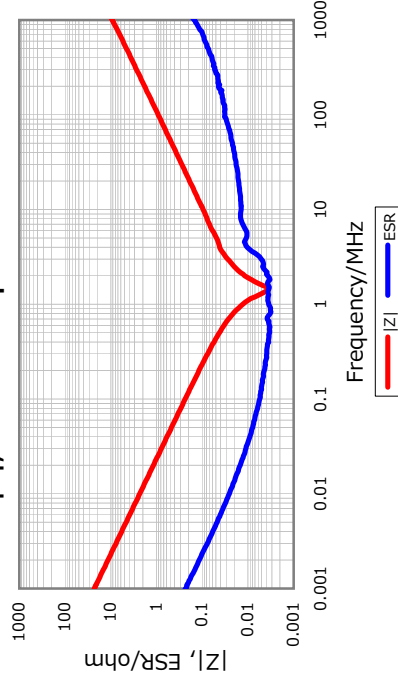
## AEC-Q200

Yes

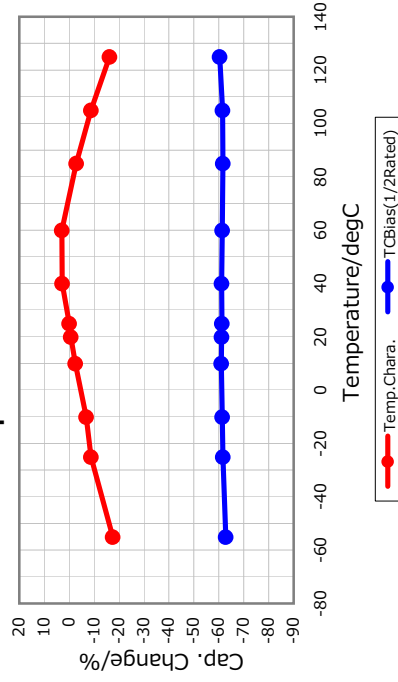
## DC Bias Characteristic



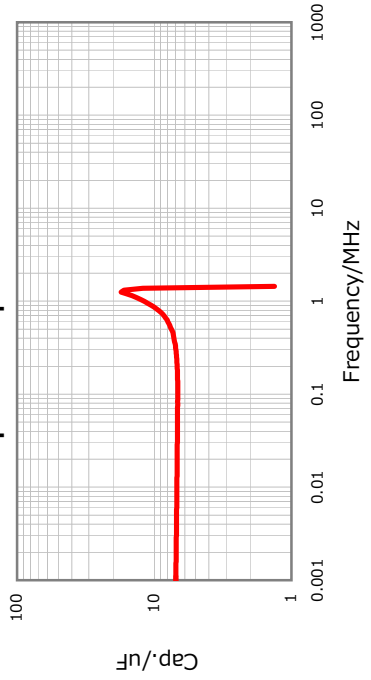
## |Z|, ESR vs. Freq. Characteristics



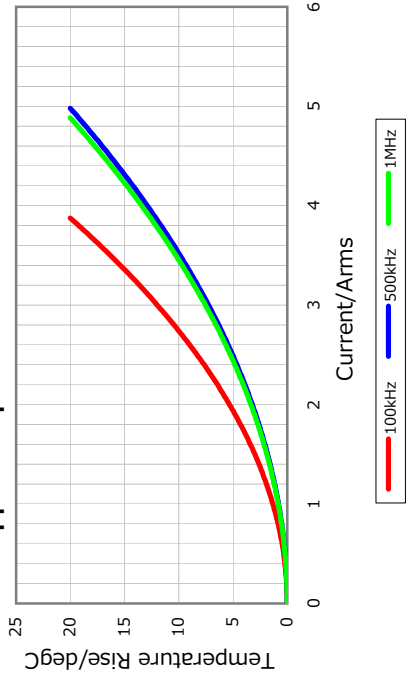
## Temperature Characteristics



## Cap. vs. Freq. Characteristic



## Ripple Temperature Rise Characteristics



All specifications are subject to change without notice.

January 4, 2016