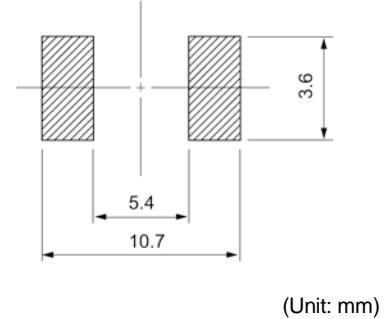
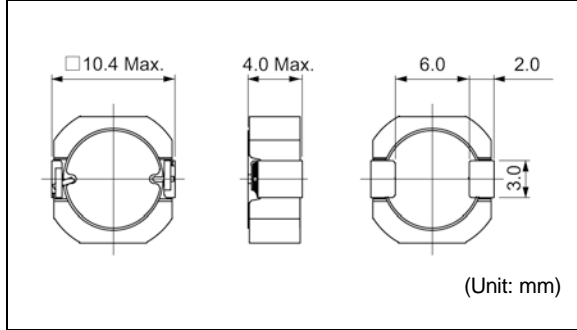
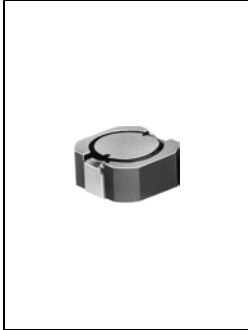


**DS104LC**



Inductance Range: 1.0~100μH

**Recommended patterns**  
推荐焊盘尺寸



**FEATURES 特点**

- 10.4mm Max. square and 4.0mm Max. height.
- Magnetically shielded construction and low DC resistance.
- Suitable for large current.
- Ideal for DC-DC converter inductor applications.
- Operating temperature : -40~+85°C
- 最大10.4毫米的平面，最大高度4.0毫米
- 磁性屏蔽结构和低直流电阻
- 适合大电流
- DC-DC转换器电感器的理想选择
- 使用温度范围：-40~+85°C

**STANDARD PART NUMBERS 标准零件号码**

**TYPE DS104LC (Quantity/reel; 500 PCS)**

| 零件号码            | 电感值 <sup>(1)</sup>             | 公差            | 最大直流电阻 <sup>(2)</sup> (典型)                    | 最大电感值减小电流 <sup>(3)</sup> (典型)   | 最大温度上升电流 <sup>(3)</sup> (典型)                                    |
|-----------------|--------------------------------|---------------|---|---|---|
| Part Number     | Inductance <sup>(1)</sup> (μH) | Tolerance (%) | DC Resistance <sup>(2)</sup> (mΩ) Max. (Typ.) | Inductance Decrease Current <sup>(3)</sup> (A) Max. (Typ.)<br>$\frac{\Delta L}{L} = 35\%$ | Temperature Rise Current <sup>(3)</sup> ΔT=40°C (A) Max. (Typ.) |
| B1179BS-1R0N=P3 | 1.0                            | ± 30          | 5.7 (4.8)                                     | 13 (17)   | 9.5 (11)  |
| B1179BS-1R5N=P3 | 1.5                            | ± 30          | 8.1 (6.7)                                     | 11 (14)   | 8.2 (9.6)   |
| B1179BS-2R2N=P3 | 2.2                            | ± 30          | 9.4 (7.8)                                     | 8.4 (11)  | 6.9 (8.1)   |
| B1179BS-3R3N=P3 | 3.3                            | ± 30          | 13 (10)                                       | 7.3 (9.7)   | 6.0 (7.1)   |
| B1179BS-3R8N=P3 | 3.8                            | ± 30          | 16 (12)                                       | 6.4 (8.6)   | 5.4 (6.4)   |
| B1179BS-5R6N=P3 | 5.6                            | ± 30          | 21 (17)                                       | 5.5 (7.3)   | 4.7 (5.5)   |
| B1179BS-6R8N=P3 | 6.8                            | ± 30          | 24 (20)                                       | 5.0 (6.7)   | 4.1 (4.8)   |
| B1179BS-100M=P3 | 10                             | ± 20          | 31 (26)                                       | 4.2 (5.6)   | 3.6 (4.3)   |
| B1179BS-150M=P3 | 15                             | ± 20          | 56 (46)                                       | 3.3 (4.4)   | 2.8 (3.3)   |
| B1179BS-220M=P3 | 22                             | ± 20          | 74 (62)                                       | 2.7 (3.6)   | 2.3 (2.7)   |
| B1179BS-330M=P3 | 33                             | ± 20          | 100 (87)                                      | 2.2 (3.0)   | 1.8 (2.1)   |
| B1179BS-470M=P3 | 47                             | ± 20          | 140 (120)                                     | 1.9 (2.5)   | 1.6 (1.9)   |
| B1179BS-680M=P3 | 68                             | ± 20          | 190 (160)                                     | 1.6 (2.1)   | 1.3 (1.6)   |
| B1179BS-101M=P3 | 100                            | ± 20          | 290 (240)                                     | 1.3 (1.7)   | 1.1 (1.3)   |

(1) Inductance is measured with a LCR meter 4284A (Agilent Technologies) or equivalent.  
Test frequency at 100kHz  
(2) DC resistance is measured with 34420A (Agilent Technologies) or 3541 (HIOKI). (Reference ambient temperature 25°C)  
(3) Maximum allowable DC current is that which causes a 35% inductance reduction from the initial value, or coil temperature to rise by 40°C, whichever is smaller. (Reference ambient temperature: 20°C)

(1) LCR仪表4284A (Agilent技术)或者功能相同的仪器在100kHz下测试电感值。  
(2) 通过数码万用表34420A (Agilent技术) 或者3541 (HIOKI)测试直流电阻。(环境温度为25°C)  
(3) 允许最大直流电的范围是以下两者中比较小的一个：引起电感值从最初值降低35%，或者线圈温度升高40°C。(参考周围环境温度20°C)。