

CGA2B2X7R1E223M050BD

TDK Item Description : CGA2B2X7R1E223MT***B

Equivalent C1005X7R1E223M for Automotive

Application & Main Feature

Automotive Grade (Conductive Epoxy Application)

Series

CGA2(1005) [EIA CC0402]

Dimensions

L	1.00mm	+/-0.15mm
W	0.50mm	+/-0.1mm
T	0.50mm	+/-0.1mm
B	0.10mm	Min.
G	0.30mm	Min.

Temperature Characteristic

X7R (-55 to 125 degC +/-15%)

Rated Voltage

1E (25Vdc)

Capacitance

22nF

Capacitance Tolerance

M (+/-20%)

Dissipation Factor

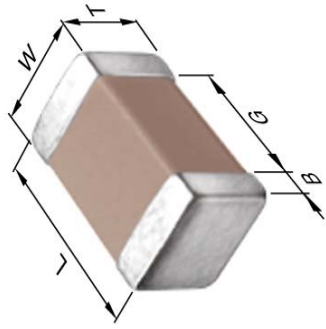
3% Max.

Insulation Resistance

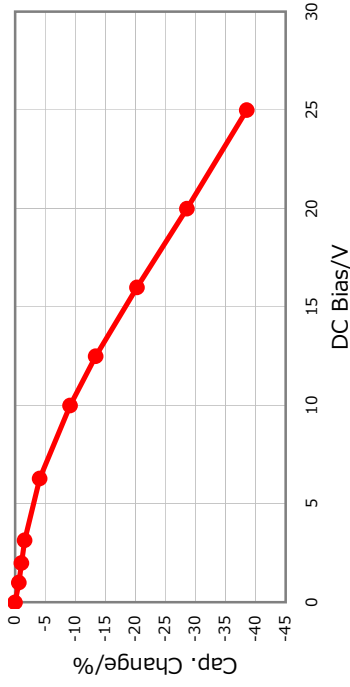
10Gohm Min.

AEC-Q200

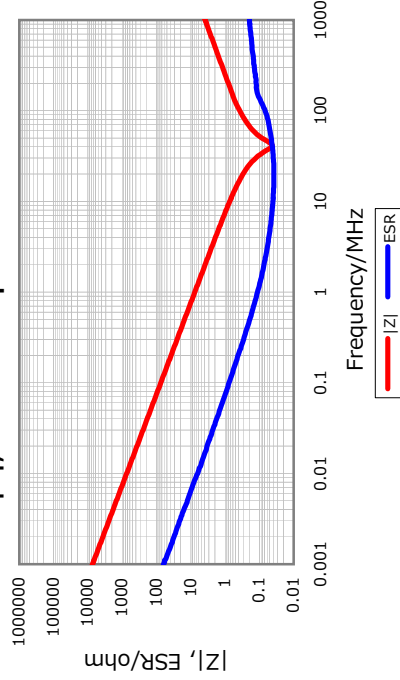
Yes



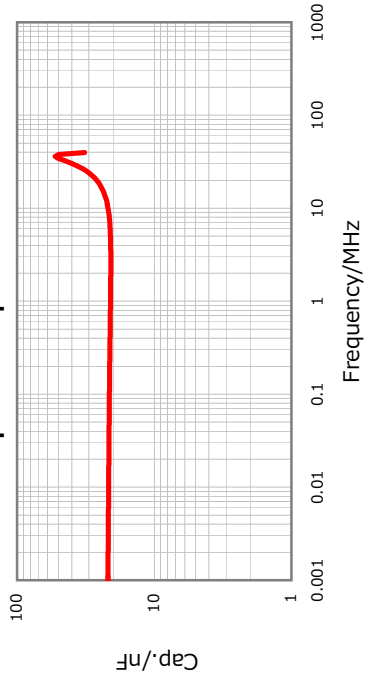
DC Bias Characteristic



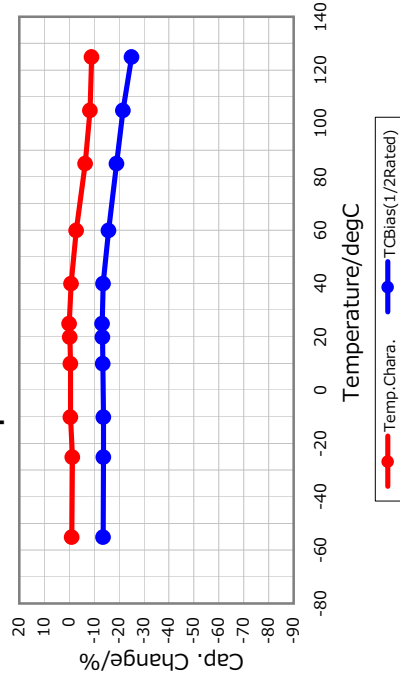
|Z|, ESR vs. Freq. Characteristics



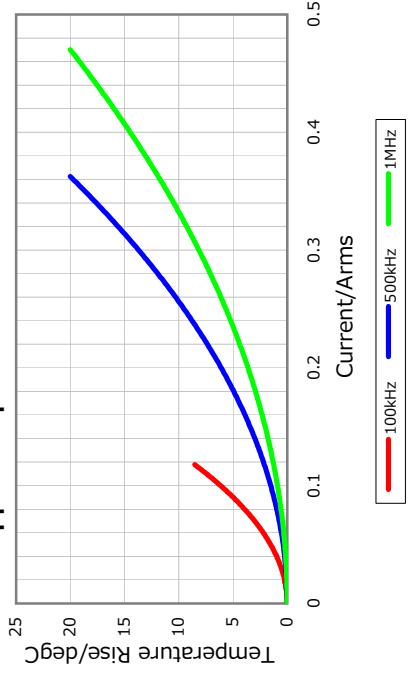
Cap. vs. Freq. Characteristic



Temperature Characteristics



Ripple Temperature Rise Characteristics



All specifications are subject to change without notice.

January 4, 2016