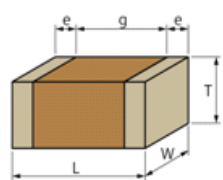





< List of part numbers with package codes >
GRM31A5C3A430GW01D , GRM31A5C3A430GW01J

Shape

| | |
|---------------------------------------|---------------|
| L size | 3.2 ±0.2mm |
| W size | 1.6 ±0.2mm |
| T size | 1.0 +0/-0.3mm |
| External terminal width e | 0.3mm min. |
| Distance between external terminals g | 1.5mm min. |
| Size code in inch(mm) | 1206 (3216M) |

References

| Packaging | Specifications | Minimum quantity |
|-------------|---------------------|------------------|
| D | φ180mm Paper taping | 4000 |
| J | φ330mm Paper taping | 10000 |
| Mass (typ.) | | |
| 1 piece | | 27mg |

Specifications

| | |
|--|--------------|
| Capacitance | 43pF ±2% |
| Rated voltage | 1000Vdc |
| Temperature characteristics (complied standard) | C0G(EIA) |
| Temperature coefficient | 0±30ppm/°C |
| Temperature range of temperature characteristics | 25 to 125°C |
| Operating temperature range | -55 to 125°C |

Attention

- 1.This datasheet is downloaded from the website of Murata Manufacturing Co., Ltd. Therefore, it's specifications are subject to change or our products in it may be discontinued without advance notice. Please check with our sales representatives or product engineers before ordering.
- 2.This datasheet has only typical specifications because there is no space for detailed specifications. Therefore, please review our product specifications or consult the approval sheet for product specifications before ordering.