

## 2-Mbit (128 K × 16) F-RAM Memory

### Features

- 2-Mbit ferroelectric random access memory (F-RAM) logically organized as 128 K × 16
  - Configurable as 256 K × 8 using  $\overline{UB}$  and  $\overline{LB}$
  - High-endurance 100 trillion ( $10^{14}$ ) read/writes
  - 151-year data retention (see the [Data Retention and Endurance](#) table)
  - NoDelay™ writes
  - Page mode operation to 30-ns cycle time
  - Advanced high-reliability ferroelectric process
- SRAM compatible
  - Industry-standard 128 K × 16 SRAM pinout
  - 60-ns access time, 110-ns cycle time
- Advanced features
  - Software-programmable block write-protect
- Superior to battery-backed SRAM modules
  - No battery concerns
  - Monolithic reliability
  - True surface mount solution, no rework steps
  - Superior for moisture, shock, and vibration
- Low power consumption
  - Active current 8 mA (typ)
  - Standby current 90 μA (typ)
- Low-voltage operation:  $V_{DD} = 2.7\text{ V to }3.6\text{ V}$
- Industrial temperature:  $-40\text{ °C to }+85\text{ °C}$
- 48-ball fine-pitch ball grid array (FBGA) package

- Pin compatible with FM22LD16 (4-Mbit) and FM23MLD16 (8-Mbit)
- Restriction of hazardous substances (RoHS) compliant

### Functional Overview

The FM21LD16 is a 128 K × 16 nonvolatile memory that reads and writes similar to a standard SRAM. A ferroelectric random access memory or F-RAM is nonvolatile, which means that data is retained after power is removed. It provides data retention for over 151 years while eliminating the reliability concerns, functional disadvantages, and system design complexities of battery-backed SRAM (BBSRAM). Fast write timing and high write endurance make the F-RAM superior to other types of memory.

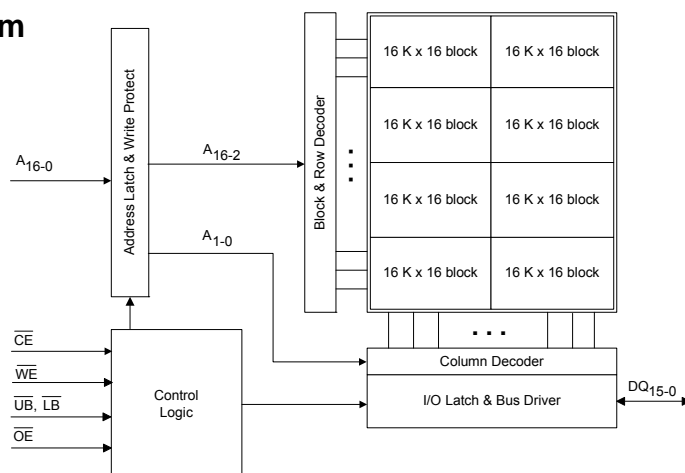
The FM21LD16 operation is similar to that of other RAM devices and therefore, it can be used as a drop-in replacement for a standard SRAM in a system. Read and write cycles may be triggered by  $\overline{CE}$  or simply by changing the address. The F-RAM memory is nonvolatile due to its unique ferroelectric memory process. These features make the FM21LD16 ideal for nonvolatile memory applications requiring frequent or rapid writes.

The FM21LD16 includes a low voltage monitor that blocks access to the memory array when  $V_{DD}$  drops below  $V_{DD\text{ min}}$ . The memory is protected against an inadvertent access and data corruption under this condition. The device also features software-controlled write protection. The memory array is divided into 8 uniform blocks, each of which can be individually write protected.

The device is available in a 48-ball FBGA package. Device specifications are guaranteed over the industrial temperature range  $-40\text{ °C to }+85\text{ °C}$ .

For a complete list of related documentation, click [here](#).

### Logic Block Diagram

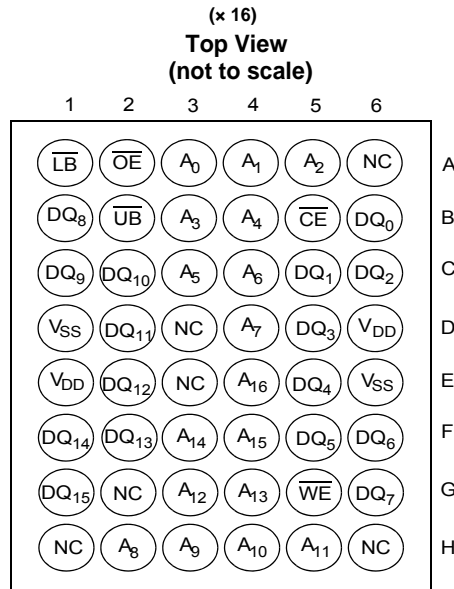


**Contents**

|  |           |  |           |
|--|-----------|--|-----------|
| <b>Pinout</b> .....                        | <b>3</b>  | <b>AC Switching Characteristics</b> .....            | <b>11</b> |
| <b>Pin Definitions</b> .....               | <b>3</b>  | SRAM Read Cycle .....                                | 11        |
| <b>Device Operation</b> .....              | <b>4</b>  | SRAM Write Cycle.....                                | 12        |
| Memory Operation.....                      | 4         | <b>Power Cycle and Sleep Mode Timing</b> .....       | <b>16</b> |
| Read Operation .....                       | 4         | <b>Functional Truth Table</b> .....                  | <b>17</b> |
| Write Operation .....                      | 4         | <b>Byte Select Truth Table</b> .....                 | <b>17</b> |
| Page Mode Operation .....                  | 4         | <b>Ordering Information</b> .....                    | <b>18</b> |
| Pre-charge Operation.....                  | 4         | Ordering Code Definitions .....                      | 18        |
| Software Write Protect .....               | 4         | <b>Package Diagram</b> .....                         | <b>19</b> |
| Software Write-Protect Timing .....        | 7         | <b>Acronyms</b> .....                                | <b>20</b> |
| SRAM Drop-In Replacement.....              | 8         | <b>Document Conventions</b> .....                    | <b>20</b> |
| <b>Maximum Ratings</b> .....               | <b>9</b>  | Units of Measure .....                               | 20        |
| <b>Operating Range</b> .....               | <b>9</b>  | <b>Document History Page</b> .....                   | <b>21</b> |
| <b>DC Electrical Characteristics</b> ..... | <b>9</b>  | <b>Sales, Solutions, and Legal Information</b> ..... | <b>22</b> |
| <b>Data Retention and Endurance</b> .....  | <b>9</b>  | Worldwide Sales and Design Support.....              | 22        |
| <b>Capacitance</b> .....                   | <b>10</b> | Products .....                                       | 22        |
| <b>Thermal Resistance</b> .....            | <b>10</b> | PSoC® Solutions .....                                | 22        |
| <b>AC Test Conditions</b> .....            | <b>10</b> | Cypress Developer Community.....                     | 22        |
|  |           | Technical Support .....                              | 22        |

Pinout

Figure 1. 48-ball FBGA pinout



Pin Definitions

| Pin Name                          | I/O Type     | Description   |
|-----------------------------------|--------------|---|
| A <sub>16</sub> –A <sub>0</sub>   | Input        | <b>Address inputs:</b> The 17 address lines select one of 128K words in the F-RAM array. The lowest two address lines A <sub>1</sub> –A <sub>0</sub> may be used for page mode read and write operations.   |
| DQ <sub>15</sub> –DQ <sub>0</sub> | Input/Output | <b>Data I/O Lines:</b> 16-bit bidirectional data bus for accessing the F-RAM array.   |
| $\overline{WE}$                   | Input        | <b>Write Enable:</b> A write cycle begins when $\overline{WE}$ is asserted. The rising edge causes the FM21LD16 to write the data on the DQ bus to the F-RAM array. The falling edge of $\overline{WE}$ latches a new column address for page mode write cycles.  |
| $\overline{CE}$                   | Input        | <b>Chip Enable:</b> The device is selected and a new memory access begins on the falling edge of $\overline{CE}$ . The entire address is latched internally at this point. Subsequent changes to the A <sub>1</sub> –A <sub>0</sub> address inputs allow page mode operation.                                   |
| $\overline{OE}$                   | Input        | <b>Output Enable:</b> When $\overline{OE}$ is LOW, the FM21LD16 drives the data bus when the valid read data is available. Deasserting $\overline{OE}$ HIGH tristates the DQ pins.  |
| $\overline{UB}$                   | Input        | <b>Upper Byte Select:</b> Enables DQ <sub>15</sub> –DQ <sub>8</sub> pins during reads and writes. These pins are HI-Z if $\overline{UB}$ is HIGH. If the user does not perform byte writes and the device is not configured as a 256 K × 8, the $\overline{UB}$ and $\overline{LB}$ pins may be tied to ground. |
| $\overline{LB}$                   | Input        | <b>Lower Byte Select:</b> Enables DQ <sub>7</sub> –DQ <sub>0</sub> pins during reads and writes. These pins are HI-Z if $\overline{LB}$ is HIGH. If the user does not perform byte writes and the device is not configured as a 256 K × 8, the $\overline{UB}$ and $\overline{LB}$ pins may be tied to ground.  |
| V <sub>SS</sub>                   | Ground       | Ground for the device. Must be connected to the ground of the system.   |
| V <sub>DD</sub>                   | Power supply | Power supply input to the device.   |
| NC                                | No connect   | No connect. This pin is not connected to the die.   |

## Device Operation

The FM21LD16 is a word wide F-RAM memory logically organized as  $131,072 \times 16$  and accessed using an industry-standard parallel interface. All data written to the part is immediately nonvolatile with no delay. The device offers page mode operation, which provides high-speed access to addresses within a page (row). Access to a different page requires that either  $\overline{CE}$  transitions LOW or the upper address ( $A_{16}-A_2$ ) changes. See the [Functional Truth Table on page 17](#) for a complete description of read and write modes.

## Memory Operation

Users access 131,072 memory locations, each with 16 data bits through a parallel interface. The F-RAM array is organized as eight blocks, each having 4096 rows. Each row has four column locations, which allow fast access in page mode operation. When an initial address is latched by the falling edge of  $\overline{CE}$ , subsequent column locations may be accessed without the need to toggle  $\overline{CE}$ . When  $\overline{CE}$  is deasserted HIGH, a pre-charge operation begins. Writes occur immediately at the end of the access with no delay. The  $\overline{WE}$  pin must be toggled for each write operation. The write data is stored in the nonvolatile memory array immediately, which is a feature unique to F-RAM called NoDelay writes.

## Read Operation

A read operation begins on the falling edge of  $\overline{CE}$ . The falling edge of  $\overline{CE}$  causes the address to be latched and starts a memory read cycle if  $\overline{WE}$  is HIGH. Data becomes available on the bus after the access time is met. When the address is latched and the access completed, a new access to a random location (different row) may begin while  $\overline{CE}$  is still LOW. The minimum cycle time for random addresses is  $t_{RC}$ . Note that unlike SRAMs, the FM21LD16's  $\overline{CE}$ -initiated access time is faster than the address access time.

The FM21LD16 will drive the data bus when  $\overline{OE}$  and at least one of the byte enables ( $\overline{UB}$ ,  $\overline{LB}$ ) is asserted LOW. The upper data byte is driven when  $\overline{UB}$  is LOW, and the lower data byte is driven when  $\overline{LB}$  is LOW. If  $\overline{OE}$  is asserted after the memory access time is met, the data bus will be driven with valid data. If  $\overline{OE}$  is asserted before completing the memory access, the data bus will not be driven until valid data is available. This feature minimizes supply current in the system by eliminating transients caused by invalid data being driven to the bus. When  $\overline{OE}$  is deasserted HIGH, the data bus will remain in a HI-Z state.

## Write Operation

In the FM21LD16, writes occur in the same interval as reads. The FM21LD16 supports both  $\overline{CE}$  and  $\overline{WE}$  controlled write cycles. In both cases, the address  $A_{16}-A_2$  is latched on the falling edge of  $\overline{CE}$ .

In a  $\overline{CE}$ -controlled write, the  $\overline{WE}$  signal is asserted before beginning the memory cycle. That is,  $\overline{WE}$  is LOW when  $\overline{CE}$  falls. In this case, the device begins the memory cycle as a write. The FM21LD16 will not drive the data bus regardless of the state of  $\overline{OE}$  as long as  $\overline{WE}$  is LOW. Input data must be valid when  $\overline{CE}$  is

deasserted HIGH. In a  $\overline{WE}$ -controlled write, the memory cycle begins on the falling edge of  $\overline{CE}$ . The  $\overline{WE}$  signal falls some time later. Therefore, the memory cycle begins as a read. The data bus will be driven if  $\overline{OE}$  is LOW; however, it will be HI-Z when  $\overline{WE}$  is asserted LOW. The  $\overline{CE}$ - and  $\overline{WE}$ -controlled write timing cases are shown in the [page 14](#).

Write access to the array begins on the falling edge of  $\overline{WE}$  after the memory cycle is initiated. The write access terminates on the rising edge of  $\overline{WE}$  or  $\overline{CE}$ , whichever comes first. A valid write operation requires the user to meet the access time specification before deasserting  $\overline{WE}$  or  $\overline{CE}$ . The data setup time indicates the interval during which data cannot change before the end of the write access (rising edge of  $\overline{WE}$  or  $\overline{CE}$ ).

Unlike other nonvolatile memory technologies, there is no write delay with F-RAM. Because the read and write access times of the underlying memory are the same, the user experiences no delay through the bus. The entire memory operation occurs in a single bus cycle. Data polling, a technique used with EEPROMs to determine if a write is complete, is unnecessary.

## Page Mode Operation

The F-RAM array is organized as eight blocks, each having 4096 rows. Each row has four column-address locations. Address inputs  $A_1-A_0$  define the column address to be accessed. An access can start on any column address, and other column locations may be accessed without the need to toggle the  $\overline{CE}$  pin. For fast access reads, after the first data byte is driven to the bus, the column address inputs  $A_1-A_0$  may be changed to a new value. A new data byte is then driven to the DQ pins no later than  $t_{AAP}$ , which is less than half the initial read access time. For fast access writes, the first write pulse defines the first write access. While  $\overline{CE}$  is LOW, a subsequent write pulse along with a new column address provides a page mode write access.

## Pre-charge Operation

The pre-charge operation is an internal condition in which the memory state is prepared for a new access. Pre-charge is user-initiated by driving the  $\overline{CE}$  signal HIGH. It must remain HIGH for at least the minimum pre-charge time,  $t_{PC}$ .

Pre-charge is also activated by changing the upper addresses,  $A_{16}-A_2$ . The current row is first closed before accessing the new row. The device automatically detects an upper order address change, which starts a pre-charge operation. The new address is latched and the new read data is valid within the  $t_{AA}$  address access time; see [Figure 8 on page 13](#). A similar sequence occurs for write cycles; see [Figure 13 on page 14](#). The rate at which random addresses can be issued is  $t_{RC}$  and  $t_{WC}$ , respectively.

## Software Write Protect

The  $128\text{ K} \times 16$  address space is divided into eight sectors (blocks) of  $16\text{ K} \times 16$  each. Each sector can be individually software write-protected and the settings are nonvolatile. A unique address and command sequence invokes the write-protect mode.

To modify write protection, the system host must issue six read commands, three write commands, and a final read command. The specific sequence of read addresses must be provided to

access the write-protect mode. Following the read address sequence, the host must write a data byte that specifies the desired protection state of each sector. For confirmation, the system must then write the complement of the protection byte immediately after the protection byte. Any error that occurs including read addresses in the wrong order, issuing a seventh read address, or failing to complement the protection value will leave the write protection unchanged.

The write-protect state machine monitors all addresses, taking no action until this particular read/write sequence occurs. During the address sequence, each read will occur as a valid operation and data from the corresponding addresses will be driven to the data bus. Any address that occurs out of sequence will cause the software protection state machine to start over. After the address sequence is completed, the next operation must be a write cycle. The lower data byte contains the write-protect settings. This value will not be written to the memory array, so the address is a don't-care. Rather it will be held pending the next cycle, which must be a write of the data complement to the protection settings. If the complement is correct, the write-protect settings will be adjusted. Otherwise, the process is aborted and the address sequence starts over. The data value written after the correct six addresses will not be entered into the memory.

The protection data byte consists of eight bits, each associated with the write-protect state of a sector. The data byte must be driven to the lower eight bits of the data bus, DQ<sub>7</sub> - DQ<sub>0</sub>. Setting a bit to '1' write-protects the corresponding sector; a '0' enables writes for that sector. The following table shows the write-protect sectors with the corresponding bit that controls the write-protect setting.

**Table 1. Write Protect Sectors - 16 K × 16 Blocks**

| Sectors  | Blocks        |
|----------|---------------|
| Sector 7 | 1FFFFh-1C000h |
| Sector 6 | 1BFFFh-18000h |
| Sector 5 | 17FFFh-14000h |
| Sector 4 | 13FFFh-10000h |
| Sector 3 | 0FFFFh-0C000h |
| Sector 2 | 0BFFFh-08000h |
| Sector 1 | 07FFFh-04000h |
| Sector 0 | 03FFFh-00000h |

The write-protect address sequence follows:

1. Read address 12555h
2. Read address 1DAAAh
3. Read address 01333h
4. Read address 0ECCCh
5. Read address 00FFh
6. Read address 1FF00h
7. Write address 1DAAAh
8. Write address 0ECCCh
9. Write address 0FF00h
10. Read address 00000h

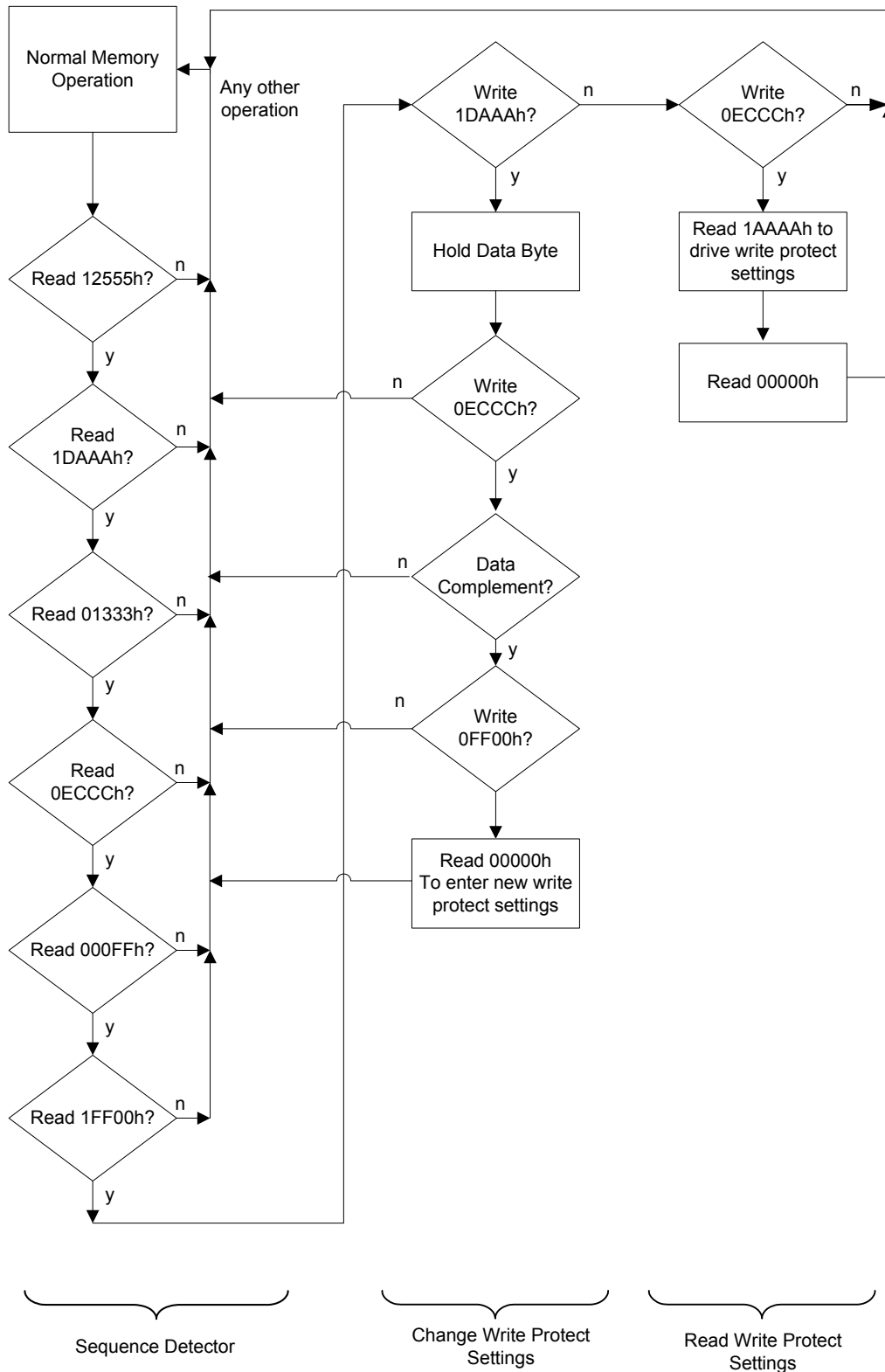
**Note** If  $\overline{CE}$  is LOW entering the sequence, then an address of 00000h must precede 12555h.

The address sequence provides a secure way of modifying the protection. The write-protect sequence has a one in  $3 \times 10^{32}$  chance of randomly accessing exactly the first six addresses. The odds are further reduced by requiring three more write cycles, one that requires an exact inversion of the data byte. [Figure 2 on page 6](#) shows a flow chart of the entire write-protect operation. The write-protect settings are nonvolatile. The factory default: all blocks are unprotected.

For example, the following sequence write-protects addresses from 0C000h to 13FFFh (sectors 3 and 4):

|       | Address | Data                   |
|-------|---------|------------------------|
| Read  | 12555h  | -                      |
| Read  | 1DAAAh  | -                      |
| Read  | 01333h  | -                      |
| Read  | 0ECCCh  | -                      |
| Read  | 00FFh   | -                      |
| Read  | 1FF00h  | -                      |
| Write | 1DAAAh  | 18h; bits 3 and 4 = 1  |
| Write | 0ECCCh  | E7h; complement of 18h |
| Write | 0FF00h  | Don't care             |
| Read  | 00000h  |                        |

Figure 2. Write-Protect State Machine



Software Write-Protect Timing

Figure 3. Sequence to Set Write-Protect Blocks [1]

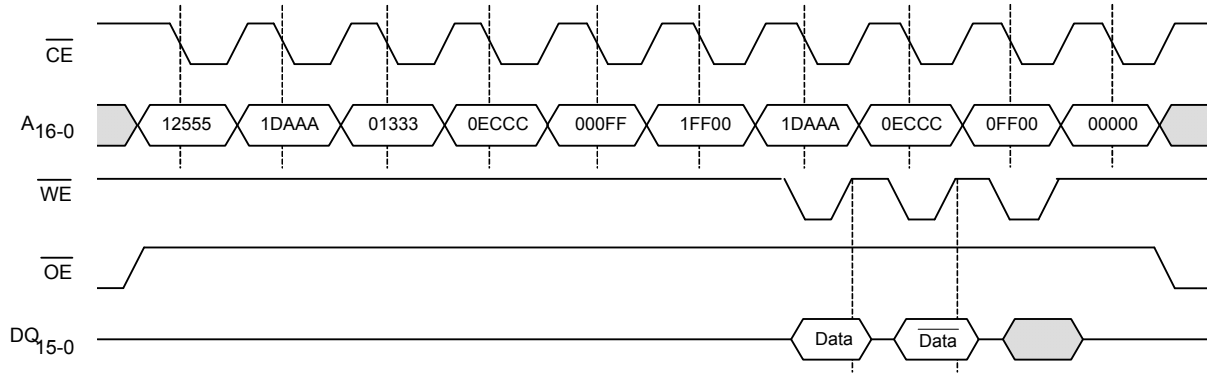
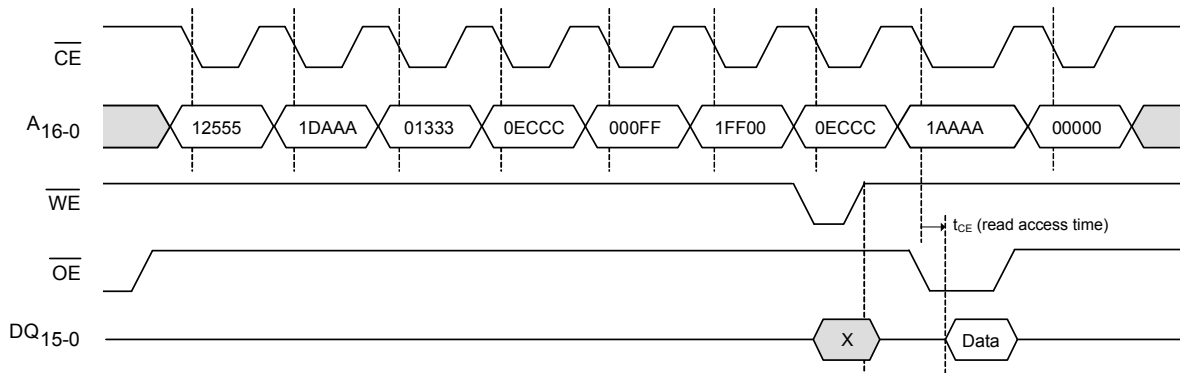


Figure 4. Sequence to Read Write-Protect Settings [1]



Note

1. This sequence requires  $t_{AS} \geq 10$  ns and address must be stable while  $\overline{CE}$  is LOW.

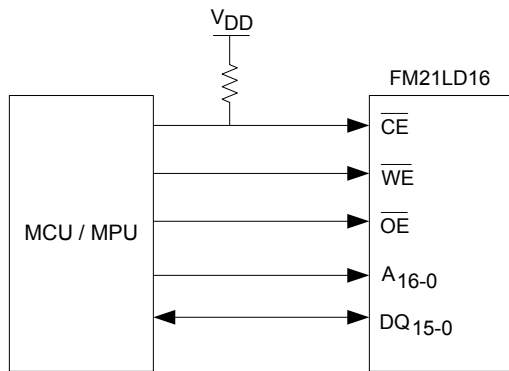


### SRAM Drop-In Replacement

The FM21LD16 is designed to be a drop-in replacement for standard asynchronous SRAMs. The device does not require  $\overline{CE}$  to toggle for each new address.  $\overline{CE}$  may remain LOW for as long as 10  $\mu$ s. While  $\overline{CE}$  is LOW, the device automatically detects address changes and a new access begins. It also allows page mode operation at speeds up to 33 MHz.

Figure 5 shows a pull-up resistor on  $\overline{CE}$ , which will keep the pin HIGH during power cycles, assuming the MCU / MPU pin tristates during the reset condition. The pull-up resistor value should be chosen to ensure the CE pin tracks  $V_{DD}$  to a high enough value, so that the current drawn when  $\overline{CE}$  is LOW is not an issue. A 10-k $\Omega$  resistor draws 330  $\mu$ A when  $\overline{CE}$  is LOW and  $V_{DD} = 3.3$  V

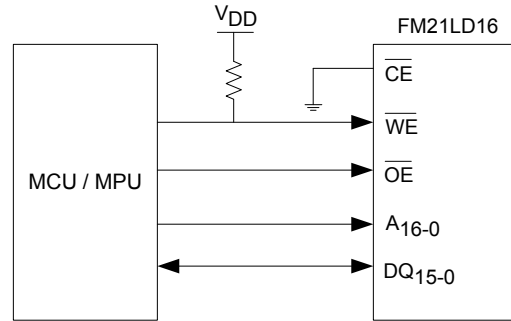
**Figure 5. Use of Pull-up Resistor on  $\overline{CE}$**



Note that if  $\overline{CE}$  is tied to ground, the user must be sure  $\overline{WE}$  is not LOW at power-up or power-down events. If CE and WE are both LOW during power cycles, data will be corrupted. Figure 6 shows a pull-up resistor on  $\overline{WE}$ , which will keep the pin HIGH during power cycles, assuming the MCU / MPU pin tristates during the reset condition. The pull-up resistor value should be chosen to ensure the WE pin tracks  $V_{DD}$  to a high enough value, so that

the current drawn when  $\overline{WE}$  is LOW is not an issue. A 10-k $\Omega$  resistor draws 330  $\mu$ A when  $\overline{WE}$  is LOW and  $V_{DD} = 3.3$  V.

**Figure 6. Use of Pull-up Resistor on  $\overline{WE}$**

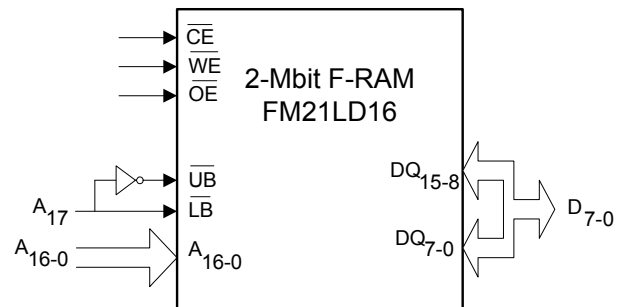


**Note** If  $\overline{CE}$  is tied to ground, the user gives up the ability to perform the software write-protect sequence.

For applications that require the lowest power consumption, the  $\overline{CE}$  signal should be active (LOW) only during memory accesses. The FM21LD16 draws supply current while  $\overline{CE}$  is LOW, even if addresses and control signals are static. While  $\overline{CE}$  is HIGH, the device draws no more than the maximum standby current,  $I_{SB}$ .  $\overline{CE}$  toggling LOW on every address access is perfectly acceptable in FM21LD16.

The  $\overline{UB}$  and  $\overline{LB}$  byte select pins are active for both read and write cycles. They may be used to allow the device to be wired as a 256 K  $\times$  8 memory. The upper and lower data bytes can be tied together and controlled with the byte selects. Individual byte enables or the next higher address line  $A_{17}$  may be available from the system processor.

**Figure 7. FM21LD16 Wired as 256 K  $\times$  8**





## Maximum Ratings

Exceeding maximum ratings may shorten the useful life of the device. These user guidelines are not tested.

Storage temperature ..... -55 °C to +125 °C  
 Maximum junction temperature ..... 95 °C  
 Supply voltage on V<sub>DD</sub> relative to V<sub>SS</sub> ..... -1.0 V to + 4.5 V  
 Voltage applied to outputs in High Z state ..... -0.5 V to V<sub>DD</sub> + 0.5 V  
 Input voltage ..... -1.0 V to + 4.5 V and V<sub>IN</sub> < V<sub>DD</sub> + 1.0 V  
 Transient voltage (< 20 ns) on any pin to ground potential ..... -2.0 V to V<sub>CC</sub> + 2.0 V  
 Package power dissipation capability (T<sub>A</sub> = 25 °C) ..... 1.0 W

Surface mount Pb soldering temperature (3 seconds) ..... +260 °C  
 DC output current (1 output at a time, 1s duration) .... 15 mA  
 Static discharge voltage  
 Human Body Model (JEDEC Std JESD22-A114-D) ..... 2.5 kV  
 Charged Device Model (JEDEC Std JESD22-C101-C) .... 800 V  
 Machine Model (JEDEC Std JESD22-A115-A) ..... 200 V  
 Latch-up current ..... > 140 mA

## Operating Range

| Range      | Ambient Temperature (T <sub>A</sub> ) | V <sub>DD</sub> |
|------------|---------------------------------------|-----------------|
| Industrial | -40 °C to +85 °C                      | 2.7 V to 3.6 V  |

## DC Electrical Characteristics

Over the [Operating Range](#)

| Parameter        | Description                    | Test Conditions   | Min                    | Typ <sup>[2]</sup> | Max                   | Unit |    |
|------------------|--------------------------------|---|------------------------|--------------------|-----------------------|------|----|
| V <sub>DD</sub>  | Power supply voltage           |   | 2.7                    | 3.3                | 3.6                   | V    |    |
| I <sub>DD</sub>  | V <sub>DD</sub> supply current | V <sub>DD</sub> = 3.6 V, $\overline{CE}$ cycling at min. cycle time. All inputs toggling at CMOS levels (0.2 V or V <sub>DD</sub> - 0.2 V), all DQ pins unloaded. | -                      | 8                  | 12                    | mA   |    |
| I <sub>SB</sub>  | Standby current                | V <sub>DD</sub> = 3.6 V, $\overline{CE}$ at V <sub>DD</sub> . All other pins are static and at CMOS levels (0.2 V or V <sub>DD</sub> - 0.2 V)                     | T <sub>A</sub> = 25 °C | -                  | 90                    | 150  | μA |
|                  |                                |   | T <sub>A</sub> = 85 °C | -                  | -                     | 270  | μA |
| I <sub>LI</sub>  | Input leakage current          | V <sub>IN</sub> between V <sub>DD</sub> and V <sub>SS</sub>   | -                      | -                  | ±1                    | μA   |    |
| I <sub>LO</sub>  | Output leakage current         | V <sub>OUT</sub> between V <sub>DD</sub> and V <sub>SS</sub>  | -                      | -                  | ±1                    | μA   |    |
| V <sub>IH</sub>  | Input HIGH voltage             |   | 2.2                    | -                  | V <sub>DD</sub> + 0.3 | V    |    |
| V <sub>IL</sub>  | Input LOW voltage              |   | -0.3                   | -                  | 0.6                   | V    |    |
| V <sub>OH1</sub> | Output HIGH voltage            | I <sub>OH</sub> = -1.0 mA   | 2.4                    | -                  | -                     | V    |    |
| V <sub>OH2</sub> | Output HIGH voltage            | I <sub>OH</sub> = -100 μA   | V <sub>DD</sub> - 0.2  | -                  | -                     | V    |    |
| V <sub>OL1</sub> | Output LOW voltage             | I <sub>OL</sub> = 2.1 mA  | -                      | -                  | 0.4                   | V    |    |
| V <sub>OL2</sub> | Output LOW voltage             | I <sub>OL</sub> = 100 μA  | -                      | -                  | 0.2                   | V    |    |

## Data Retention and Endurance

| Parameter       | Description    | Test condition             | Min              | Max | Unit   |
|-----------------|----------------|----------------------------|------------------|-----|--------|
| T <sub>DR</sub> | Data retention | T <sub>A</sub> = 85 °C     | 10               | -   | Years  |
|                 |                | T <sub>A</sub> = 75 °C     | 38               | -   |        |
|                 |                | T <sub>A</sub> = 65 °C     | 151              | -   |        |
| NV <sub>C</sub> | Endurance      | Over operating temperature | 10 <sup>14</sup> | -   | Cycles |

### Note

2. Typical values are at 25 °C, V<sub>DD</sub> = V<sub>DD</sub> (typ). Not 100% tested.

## Capacitance

| Parameter | Description                   | Test Conditions   | Max | Unit |
|-----------|-------------------------------|---|-----|------|
| $C_{I/O}$ | Input/Output capacitance (DQ) | $T_A = 25\text{ }^\circ\text{C}$ , $f = 1\text{ MHz}$ , $V_{DD} = V_{DD}(\text{Typ})$ | 8   | pF   |
| $C_{IN}$  | Input capacitance             |   | 6   | pF   |

## Thermal Resistance

| Parameter     | Description                              | Test Conditions   | 48-ball FBGA | Unit               |
|---------------|--|---|--------------|--------------------|
| $\Theta_{JA}$ | Thermal resistance (junction to ambient) | Test conditions follow standard test methods and procedures for measuring thermal impedance, in accordance with EIA/JESD51. | 47           | $^\circ\text{C/W}$ |
| $\Theta_{JC}$ | Thermal resistance (junction to case)    |   | 14           | $^\circ\text{C/W}$ |

## AC Test Conditions

Input pulse levels ..... 0 V to 3 V  
 Input rise and fall times (10%–90%) .....  $\leq 3\text{ ns}$   
 Input and output timing reference levels ..... 1.5 V  
 Output load capacitance ..... 30 pF

## AC Switching Characteristics

 Over the [Operating Range](#)

| Parameters <sup>[3]</sup> |               | Description   | Min | Max    | Unit |
|---------------------------|---------------|---|-----|--------|------|
| Cypress Parameter         | Alt Parameter |   |     |        |      |
| <b>SRAM Read Cycle</b>    |               |   |     |        |      |
| $t_{CE}$                  | $t_{ACE}$     | Chip enable access time                                   | –   | 60     | ns   |
| $t_{RC}$                  | –             | Read cycle time   | 110 | –      | ns   |
| $t_{AA}$                  | –             | Address access time                                       | –   | 110    | ns   |
| $t_{OH}$                  | $t_{OHA}$     | Output hold time  | 20  | –      | ns   |
| $t_{AAP}$                 | –             | Page mode address access time                             | –   | 25     | ns   |
| $t_{OHP}$                 | –             | Page mode output hold time                                | 5   | –      | ns   |
| $t_{CA}$                  | –             | Chip enable active time                                   | 60  | 10,000 | ns   |
| $t_{PC}$                  | –             | Pre-charge time   | 50  | –      | ns   |
| $t_{BA}$                  | $t_{BW}$      | $\overline{UB}$ , $\overline{LB}$ access time             | –   | 20     | ns   |
| $t_{AS}$                  | $t_{SA}$      | Address setup time (to $\overline{CE}$ LOW)               | 0   | –      | ns   |
| $t_{AH}$                  | $t_{HA}$      | Address hold time ( $\overline{CE}$ Controlled)           | 60  | –      | ns   |
| $t_{OE}$                  | $t_{DOE}$     | Output enable access time                                 | –   | 15     | ns   |
| $t_{HZ}^{[4, 5]}$         | $t_{HZCE}$    | Chip Enable to output HI-Z                                | –   | 10     | ns   |
| $t_{OHZ}^{[4, 5]}$        | $t_{HZOE}$    | Output enable HIGH to output HI-Z                         | –   | 10     | ns   |
| $t_{BHZ}^{[4, 5]}$        | $t_{HZBE}$    | $\overline{UB}$ , $\overline{LB}$ HIGHHIGH to output HI-Z | –   | 10     | ns   |

### Notes

- Test conditions assume a signal transition time of 3 ns or less, timing reference levels of  $0.5 \times V_{DD}$ , input pulse levels of 0 to 3 V, output loading of the specified  $I_{OL}/I_{OH}$  and load capacitance shown in [AC Test Conditions on page 10](#).
- $t_{HZ}$ ,  $t_{OHZ}$  and  $t_{BHZ}$  are specified with a load capacitance of 5 pF. Transition is measured when the outputs enter a high impedance state.
- This parameter is characterized but not 100% tested.

**AC Switching Characteristics** (continued)

 Over the [Operating Range](#)

| Parameters <sup>[3]</sup>  |               | Description  | Min | Max    | Unit |
|----------------------------|---------------|--|-----|--------|------|
| Cypress Parameter          | Alt Parameter |  |     |        |      |
| <b>SRAM Write Cycle</b>    |               |  |     |        |      |
| $t_{WC}$                   | $t_{WC}$      | Write cycle time                                       | 110 | –      | ns   |
| $t_{CA}$                   | –             | Chip enable active time                                | 60  | 10,000 | ns   |
| $t_{CW}$                   | $t_{SCE}$     | Chip enable to write enable HIGH                       | 60  | –      | ns   |
| $t_{PC}$                   | –             | Pre-charge time  | 50  | –      | ns   |
| $t_{PWC}$                  | –             | Page mode write enable cycle time                      | 25  | –      | ns   |
| $t_{WP}$                   | $t_{PWE}$     | Write enable pulse width                               | 16  | –      | ns   |
| $t_{AS}$                   | $t_{SA}$      | Address setup time (to $\overline{CE}$ LOW)            | 0   | –      | ns   |
| $t_{ASP}$                  | –             | Page mode address setup time (to $\overline{WE}$ LOW)  | 8   | –      | ns   |
| $t_{AHP}$                  | –             | Page mode address hold time (to $\overline{WE}$ LOW)   | 15  | –      | ns   |
| $t_{WLC}$                  | $t_{PWE}$     | Write enable LOW to chip disabled                      | 25  | –      | ns   |
| $t_{BLC}$                  | $t_{BW}$      | $\overline{UB}$ , $\overline{LB}$ LOW to chip disabled | 25  | –      | ns   |
| $t_{WLA}$                  | –             | Write enable LOW to $A_{16-2}$ change                  | 25  | –      | ns   |
| $t_{AWH}$                  | –             | $A_{16-2}$ change to write enable HIGH                 | 110 | –      | ns   |
| $t_{DS}$                   | $t_{SD}$      | Data input setup time                                  | 14  | –      | ns   |
| $t_{DH}$                   | $t_{HD}$      | Data input hold time                                   | 0   | –      | ns   |
| $t_{WZ}$ <sup>[6, 7]</sup> | $t_{HZWE}$    | Write enable LOW to output HI-Z                        | –   | 10     | ns   |
| $t_{WX}$ <sup>[7]</sup>    | –             | Write enable HIGH to output driven                     | 10  | –      | ns   |
| $t_{WS}$ <sup>[8]</sup>    | –             | Write enable to $\overline{CE}$ LOW setup time         | 0   | –      | ns   |
| $t_{WH}$ <sup>[8]</sup>    | –             | Write enable to $\overline{CE}$ HIGH hold time         | 0   | –      | ns   |

**Notes**

6.  $t_{WZ}$  is specified with a load capacitance of 5 pF. Transition is measured when the outputs enter a high impedance state.
7. This parameter is characterized but not 100% tested.
8. The relationship between  $\overline{CE}$  and  $\overline{WE}$  determines if a  $\overline{CE}$ - or  $\overline{WE}$ -controlled write occurs. The parameters  $t_{WS}$  and  $t_{WH}$  are not tested.

Figure 8. Read Cycle Timing 1 ( $\overline{CE}$  LOW,  $\overline{OE}$  LOW)

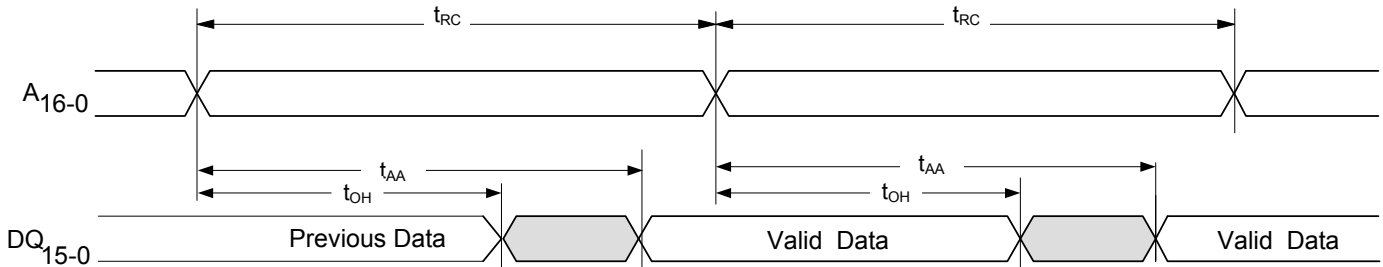


Figure 9. Read Cycle Timing 2 ( $\overline{CE}$  Controlled)

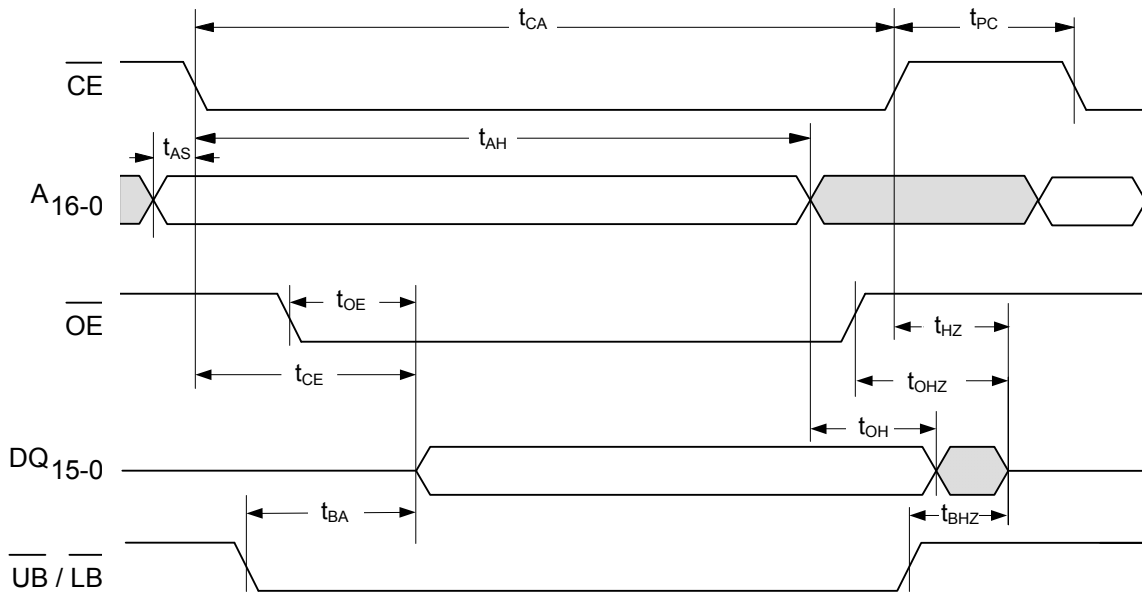
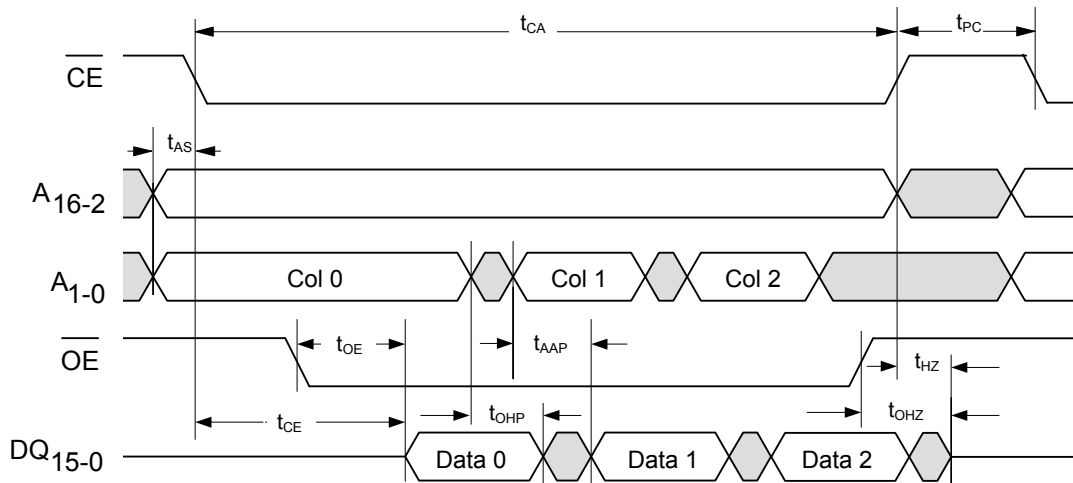


Figure 10. Page Mode Read Cycle Timing<sup>[9]</sup>



Note

9. Although sequential column addressing is shown, it is not required

Figure 11. Write Cycle Timing 1 ( $\overline{WE}$  Controlled) <sup>[10]</sup>

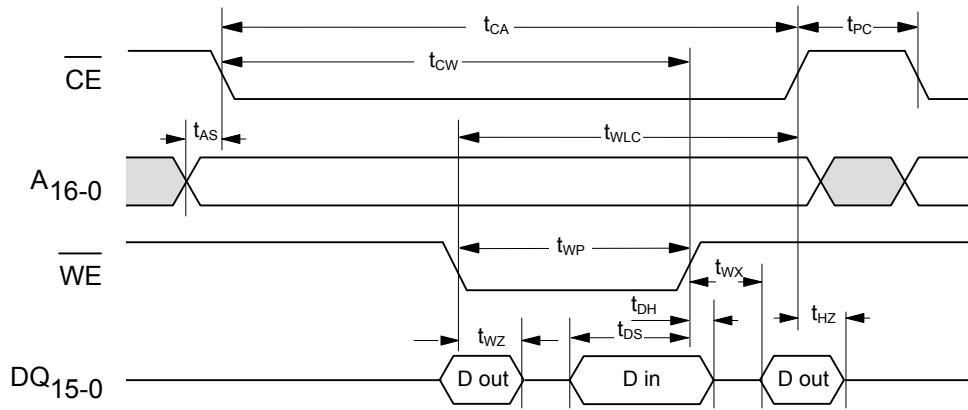


Figure 12. Write Cycle Timing 2 ( $\overline{CE}$  Controlled)

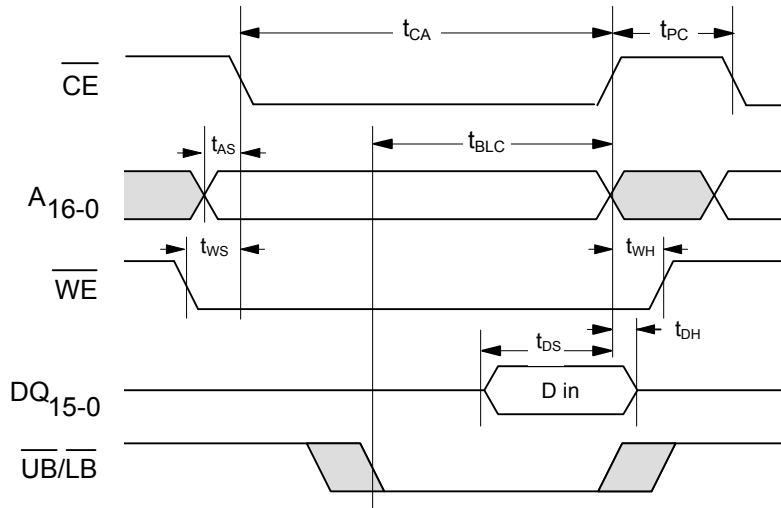
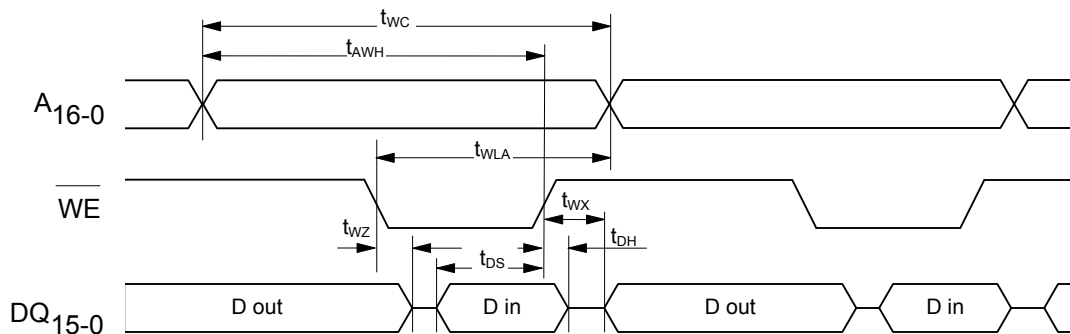
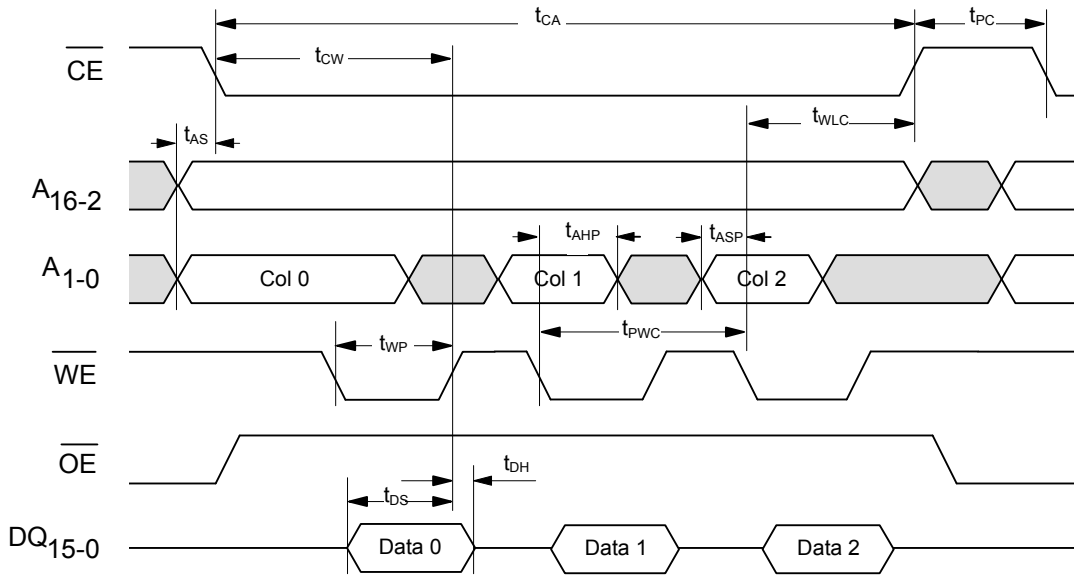


Figure 13. Write Cycle Timing 3 ( $\overline{CE}$  LOW) <sup>[10]</sup>



Note  
 10.  $\overline{OE}$  (not shown) is LOW only to show the effect of  $\overline{WE}$  on DQ pins.

Figure 14. Page Mode Write Cycle Timing



**Note**  
 11. UB and LB to show byte enable and byte masking cases.

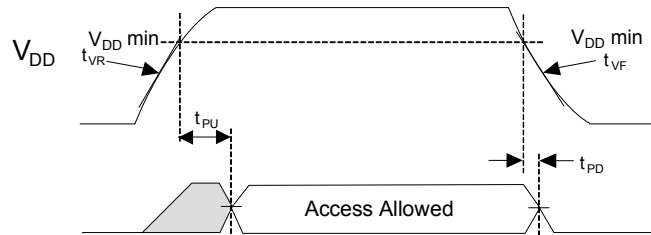


## Power Cycle and Sleep Mode Timing

Over the [Operating Range](#)

| Parameter           | Description  | Min | Max | Unit      |
|---------------------|--|-----|-----|-----------|
| $t_{PU}$            | Power-up (after $V_{DD}$ min. is reached) to first access time | 450 | –   | $\mu s$   |
| $t_{PD}$            | Last write ( $\overline{WE}$ HIGH) to power down time          | 0   | –   | $\mu s$   |
| $t_{VR}^{[12, 13]}$ | $V_{DD}$ power-up ramp rate                                    | 50  | –   | $\mu s/V$ |
| $t_{VF}^{[12, 13]}$ | $V_{DD}$ power-down ramp rate                                  | 100 | –   | $\mu s/V$ |

Figure 15. Power Cycle Timing



**Notes**

- 12. Slope measured at any point on the  $V_{DD}$  waveform.
- 13. Cypress cannot test or characterize all  $V_{DD}$  power ramp profiles. The behavior of the internal circuits is difficult to predict when  $V_{DD}$  is below the level of a transistor threshold voltage. Cypress strongly recommends that  $V_{DD}$  power up faster than 100 ms through the range of 0.4 V to 1.0 V.

**Functional Truth Table**

| $\overline{\text{CE}}$ | $\overline{\text{WE}}$ | A <sub>16-2</sub> | A <sub>1-0</sub> | Operation <sup>[14, 15]</sup>                                |
|------------------------|------------------------|-------------------|------------------|--|
| H                      | X                      | X                 | X                | Standby/Idle   |
| ↓<br>L                 | H<br>H                 | V<br>V            | V<br>V           | Read   |
| L                      | H                      | No Change         | Change           | Page Mode Read   |
| L                      | H                      | Change            | V                | Random Read  |
| ↓<br>L                 | L<br>L                 | V<br>V            | V<br>V           | $\overline{\text{CE}}$ -Controlled Write <sup>[15]</sup>     |
| L                      | ↓                      | V                 | V                | $\overline{\text{WE}}$ -Controlled Write <sup>[15, 16]</sup> |
| L                      | ↓                      | No Change         | V                | Page Mode Write <sup>[17]</sup>                              |
| ↑<br>L                 | X<br>X                 | X<br>X            | X<br>X           | Starts pre-charge  |

**Byte Select Truth Table**

| $\overline{\text{WE}}$ | $\overline{\text{OE}}$ | $\overline{\text{LB}}$ | $\overline{\text{UB}}$ | Operation <sup>[18]</sup>         |
|------------------------|------------------------|------------------------|------------------------|-----------------------------------|
| H                      | H                      | X                      | X                      | Read; Outputs disabled            |
|                        | X                      | H                      | H                      |                                   |
| H                      | L                      | H                      | L                      | Read upper byte; HI-Z lower byte  |
|                        |                        | L                      | H                      | Read lower byte; HI-Z upper byte  |
|                        |                        | L                      | L                      | Read both bytes                   |
| L                      | X                      | H                      | L                      | Write upper byte; Mask lower byte |
|                        |                        | L                      | H                      | Write lower byte; Mask upper byte |
|                        |                        | L                      | L                      | Write both bytes                  |

**Notes**

14. H = Logic HIGH, L = Logic LOW, V = Valid Data, X = Don't Care, ↓ = toggle LOW, ↑ = toggle HIGH.

15. For write cycles, data-in is latched on the rising edge of  $\overline{\text{CE}}$  or  $\overline{\text{WE}}$ , whichever comes first.

16.  $\overline{\text{WE}}$ -controlled write cycle begins as a Read cycle and then A<sub>16-2</sub> is latched.

17. Addresses A<sub>1-0</sub> must remain stable for at least 10 ns during page mode operation.

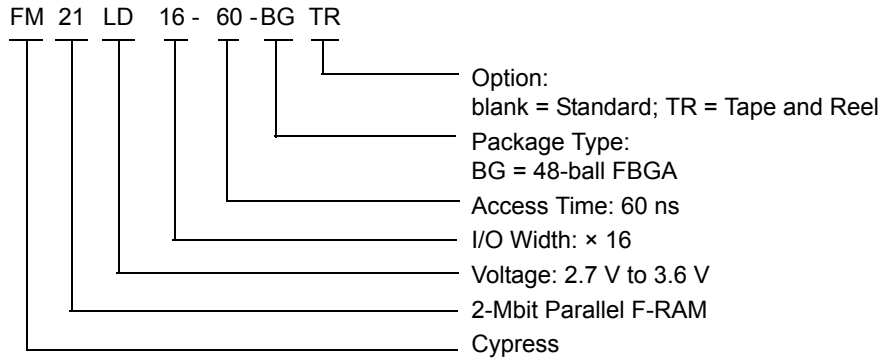
18. The UB and LB pins may be grounded if 1) the system does not perform byte writes and 2) the device is not configured as a 256 K x 8.

**Ordering Information**

| Access time (ns) | Ordering Code    | Package Diagram | Package Type                                  | Operating Range |
|------------------|------------------|-----------------|---|-----------------|
| 60               | FM21LD16-60-BG   | 001-91158       | 48-ball FBGA (Not Recommended for New Design) | Industrial      |
|                  | FM21LD16-60-BGTR |                 |   |                 |

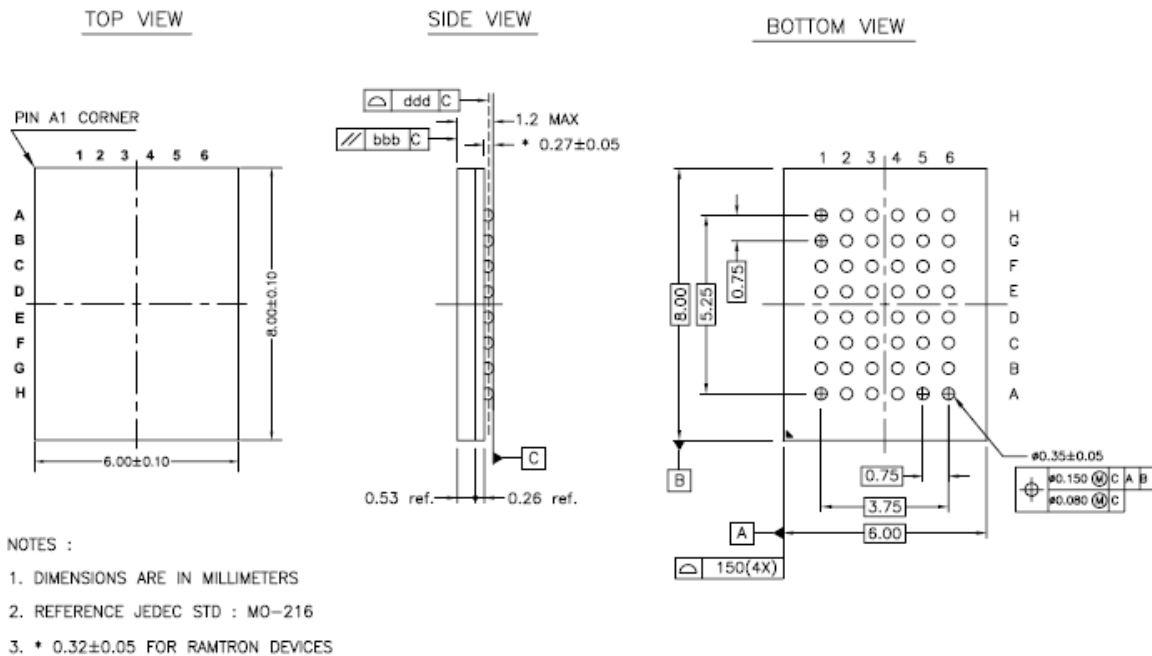
All the above parts are Pb-free.

**Ordering Code Definitions**



Package Diagram

Figure 16. 48-ball FBGA (6 mm x 8mm x 1.2 mm) Package Outline, 001-91158



001-91158 \*\*

## Acronyms

| Acronym | Description                             |
|---------|---|
| CPU     | Central Processing Unit                 |
| CMOS    | Complementary Metal Oxide Semiconductor |
| EIA     | Electronic Industries Alliance          |
| F-RAM   | Ferroelectric Random Access Memory      |
| I/O     | Input/Output                            |
| MCU     | Microcontroller Unit                    |
| MPU     | Microprocessor Unit                     |
| RoHS    | Restriction of Hazardous Substances     |
| R/W     | Read and Write                          |
| SRAM    | Static Random Access Memory             |
| FBGA    | Fine-pitch Ball Grid Array              |

## Document Conventions

### Units of Measure

| Symbol | Unit of Measure |
|--------|-----------------|
| °C     | degree Celsius  |
| Hz     | hertz           |
| kHz    | kilohertz       |
| kΩ     | kilohm          |
| MHz    | megahertz       |
| μA     | microampere     |
| μF     | microfarad      |
| μs     | microsecond     |
| mA     | milliampere     |
| ms     | millisecond     |
| MΩ     | megaohm         |
| ns     | nanosecond      |
| Ω      | ohm             |
| %      | percent         |
| pF     | picofarad       |
| V      | volt            |
| W      | watt            |

**Document History Page**

| Document Title: FM21LD16, 2-Mbit (128 K × 16) F-RAM Memory |         |                 |                 |   |
|--|---------|-----------------|-----------------|---|
| Document Number: 001-86192                                 |         |                 |                 |   |
| Rev.   | ECN No. | Orig. of Change | Submission Date | Description of Change   |
| **   | 3912933 | GVCH            | 02/25/2013      | New spec  |
| *A   | 4191946 | GVCH            | 11/14/2013      | Added watermark as "Not recommended for new designs."   |
| *B   | 4274811 | GVCH            | 03/11/2014      | Converted to Cypress standard format<br>Updated <a href="#">Maximum Ratings</a> table<br>- Removed Moisture Sensitivity Level (MSL)<br>- Added junction temperature and latch up current<br>Updated <a href="#">Data Retention and Endurance</a> table<br>Added <a href="#">Thermal Resistance</a> table<br>Removed Package Marking Scheme (top mark) |
| *C   | 4569028 | GVCH            | 11/13/2014      | Added related documentation hyperlink in page 1.  |

## Sales, Solutions, and Legal Information

### Worldwide Sales and Design Support

Cypress maintains a worldwide network of offices, solution centers, manufacturer's representatives, and distributors. To find the office closest to you, visit us at [Cypress Locations](#).

#### Products

|                          |  |
|--------------------------|--|
| Automotive               | <a href="http://cypress.com/go/automotive">cypress.com/go/automotive</a>   |
| Clocks & Buffers         | <a href="http://cypress.com/go/clocks">cypress.com/go/clocks</a>   |
| Interface                | <a href="http://cypress.com/go/interface">cypress.com/go/interface</a>   |
| Lighting & Power Control | <a href="http://cypress.com/go/powerpsoc">cypress.com/go/powerpsoc</a><br><a href="http://cypress.com/go/plc">cypress.com/go/plc</a> |
| Memory                   | <a href="http://cypress.com/go/memory">cypress.com/go/memory</a>   |
| PSoC                     | <a href="http://cypress.com/go/psoc">cypress.com/go/psoc</a>   |
| Touch Sensing            | <a href="http://cypress.com/go/touch">cypress.com/go/touch</a>   |
| USB Controllers          | <a href="http://cypress.com/go/USB">cypress.com/go/USB</a>   |
| Wireless/RF              | <a href="http://cypress.com/go/wireless">cypress.com/go/wireless</a>   |

#### PSoC<sup>®</sup> Solutions

[psoc.cypress.com/solutions](http://psoc.cypress.com/solutions)  
[PSoC 1](#) | [PSoC 3](#) | [PSoC 4](#) | [PSoC 5LP](#)

#### Cypress Developer Community

[Community](#) | [Forums](#) | [Blogs](#) | [Video](#) | [Training](#)

#### Technical Support

[cypress.com/go/support](http://cypress.com/go/support)

---

© Cypress Semiconductor Corporation, 2013-2014. The information contained herein is subject to change without notice. Cypress Semiconductor Corporation assumes no responsibility for the use of any circuitry other than circuitry embodied in a Cypress product. Nor does it convey or imply any license under patent or other rights. Cypress products are not warranted nor intended to be used for medical, life support, life saving, critical control or safety applications, unless pursuant to an express written agreement with Cypress. Furthermore, Cypress does not authorize its products for use as critical components in life-support systems where a malfunction or failure may reasonably be expected to result in significant injury to the user. The inclusion of Cypress products in life-support systems application implies that the manufacturer assumes all risk of such use and in doing so indemnifies Cypress against all charges.

Any Source Code (software and/or firmware) is owned by Cypress Semiconductor Corporation (Cypress) and is protected by and subject to worldwide patent protection (United States and foreign), United States copyright laws and international treaty provisions. Cypress hereby grants to licensee a personal, non-exclusive, non-transferable license to copy, use, modify, create derivative works of, and compile the Cypress Source Code and derivative works for the sole purpose of creating custom software and or firmware in support of licensee product to be used only in conjunction with a Cypress integrated circuit as specified in the applicable agreement. Any reproduction, modification, translation, compilation, or representation of this Source Code except as specified above is prohibited without the express written permission of Cypress.

Disclaimer: CYPRESS MAKES NO WARRANTY OF ANY KIND, EXPRESS OR IMPLIED, WITH REGARD TO THIS MATERIAL, INCLUDING, BUT NOT LIMITED TO, THE IMPLIED WARRANTIES OF MERCHANTABILITY AND FITNESS FOR A PARTICULAR PURPOSE. Cypress reserves the right to make changes without further notice to the materials described herein. Cypress does not assume any liability arising out of the application or use of any product or circuit described herein. Cypress does not authorize its products for use as critical components in life-support systems where a malfunction or failure may reasonably be expected to result in significant injury to the user. The inclusion of Cypress' product in a life-support systems application implies that the manufacturer assumes all risk of such use and in doing so indemnifies Cypress against all charges.

Use may be limited by and subject to the applicable Cypress software license agreement.