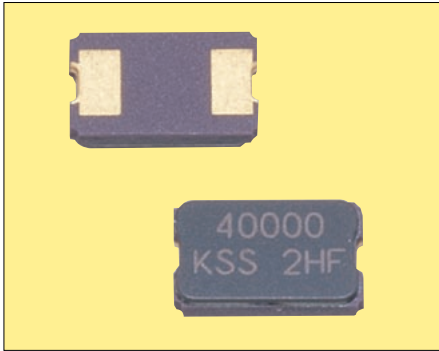




# Crystal Units Surface Mount Type CX5032GB (CX-53F)

5.0x3.2mm for Audio & Visual, Office Equipment



RoHS Compliant

## Features

- Crystal unit for audio-visual, office equipment
- Small and low profile (5.0x3.2x1.0mm)
- Ceramic package
- Product with lead free terminations
- Reflow compatible

## Applications

- Digital Electronics
- Audio-Visual, Office Equipment

## How to Order

CX5032GB 48000 H0 P E S ZZ  
① ② ③ ④ ⑤ ⑥ ⑦

① Code

② Typical Frequencies

Code	Freq.(kHz)	Code	Freq.(kHz)
10000	10000.000	24000	24000.000
12000	12000.000	24545	24545.450
14318	14318.180	24576	24576.000
14745	14745.600	27000	27000.000
16934	16934.400	36000	36000.000
18432	18432.000	48000	48000.000
22579	22579.200	54000	54000.000

\*Please inquire about frequencies other than the above.

③ Load Capacitance

H0	12pF
----	------

④ Frequency Stability

P	$\pm 50 \times 10^{-6}$
---	-------------------------

⑤ Operating Temperature Range

E	-10°C to +70°C
---	----------------

⑥ Frequency Temperature Stability

S	$\pm 50 \times 10^{-6}$
---	-------------------------

⑦ Special

ZZ	Custom Specification
----	----------------------

## Specifications

Items	Symbol	Specification	Units	Remarks
Frequency Range	f <sub>nom</sub>	9843.75 to 54000	kHz	
Overtone Order	OT	Fundamental	—	
Frequency Tolerance	f <sub>tol</sub>	±50	×10 <sup>-6</sup>	@ 25°C
Frequency Temp. Characteristics	f <sub>tem</sub>	±50	×10 <sup>-6</sup>	ref.@ 25°C Over Operating Temp. Range
Motional Series Resistance	R1	Table 1	ohm	
Level of Drive	DL	Table 2	μW	
Load Capacitance	CL	12	pF	
Operating Temp. Range	T <sub>use</sub>	-10 to +70	°C	
Storage Temp. Range	T <sub>stg</sub>	-40 to +85	°C	

\* Please inquire about specifications other than the above.

## Table1 Motional Series Resistances

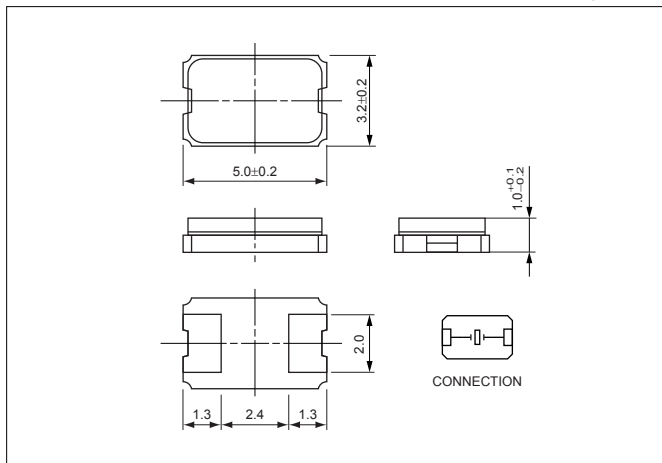
Frequency Range	Motional Series Resistance	Units
9843.75 to 11999kHz	200	ohm
12000 to 13999kHz	150	
14000 to 29999kHz	100	
30000 to 54000kHz	50	

## Table2 Level of Drive

Frequency Range	Level of Drive	Units
9843.75 to 15999kHz	10 (500 max.)	μW
16000 to 24999kHz	10 (300 max.)	
25000 to 54000kHz	10 (100 max.)	

## Dimensions

(Unit : mm)



## Recommended Land Pattern

(Unit : mm)

