

### FEATURES

Complete Single Chip Programmable Digital Baseband Processor divided into three main subsystems:

**Control Processor Subsystem including:**

- 32-bit MCU ARM7TDMI<sup>®</sup> Control Processor
- On-chip Zero-wait-state System SRAM

**DSP Subsystem including**

- 16-bit Fixed Point DSP Processor
- Data and Program SRAM
- Program Instruction Cache
- Full Rate, Enhanced Full Rate and Half Rate Speech Encoding/Decoding

**Peripheral Subsystem including**

- Shared Peripheral Bus and Interface
- Peripherals

**Peripheral Functions**

- Parallel and Serial Display Interface
- Keypad Interface
- FLASH Memory Interface
- 1.8V and 3.0V, 64 kbps SIM Interface
- Universal System Connector Interface
- Baseband Converter Interface
- Data Services Interface

**Control of Radio Subsystem**

- Three independent programmable backlight outputs
- Real Time Clock with Alarm
- Programmable Power Management and Clock Management
- Supports 13 MHz and 26 MHz Input Clocks
- Slow Clocking Scheme for Low Idle Mode Current
- Power Down modes
- On-chip support for GSM Data Services up to 14.4 kbits/sec, Class 12 GPRS, HSCSD
- JTAG Interface for Test and In-Circuit Emulation
- 1.8V Typical Operating Voltage
- Operating Voltage Range 1.7V - 1.9V
- Independent I/O and Memory Voltages
- 160-Ball LFBGA (mini-BGA) package

### APPLICATIONS

**GSM850/900/DCS1800/PCS1900 Wireless Terminals**  
**GSM Phase 2 & GPRS Compliant**

ARM<sup>®</sup> and ARM7TDMI<sup>®</sup> are registered trademarks of ARM Limited  
 SoftFone<sup>®</sup> is a trademark of Analog Devices, Inc.

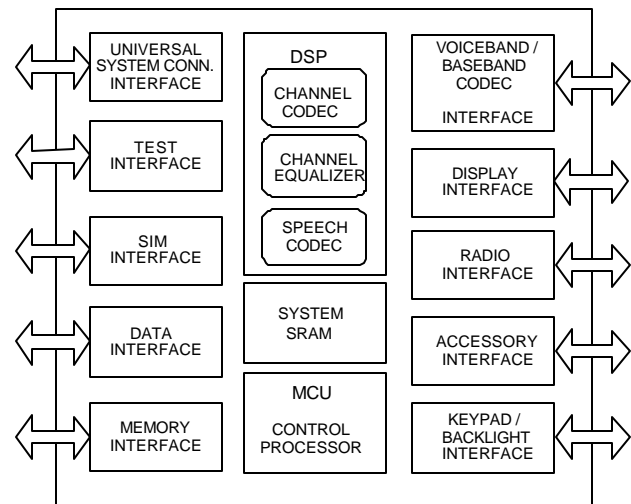


FIGURE 1. AD6526 FUNCTIONAL BLOCK DIAGRAM

### GENERAL DESCRIPTION

The AD6526 is the second device, after the AD6522, of the Analog Devices AD20msp430 series of SoftFone<sup>®</sup> GSM Baseband Processors. The AD6526 provides a competitive solution for GSM/GPRS terminal designs. It is designed to be fully integrated, easy to use, and compatible with GSM900, DCS1800 and PCS1900 handsets as well as direct PC data interface. No external SRAM is needed in most applications.

The AD6526 integrates full rate, enhanced full rate and half rate speech codecs as well as a full range of data services including circuit-switched 14.4 kb/s, GPRS to Class 12, and HSCSD. In addition, it supports both A5/1 and A5/2 encryption algorithms as well as operation in non-encrypted mode.

The highly programmable architecture and sophisticated internal communication channels of the AD6526 offer maximum flexibility to system designers. It can adapt to tighter requirements led by changes in standards and end-market feature set requirements.

A complete data sheet is available under Non-Disclosure Agreement to pre-qualified developers of GSM/GPRS terminal equipment. Contact your local Analog Devices Sales Office.

### Rev. PrA

This Information applies to a product under development. Its characteristics and specifications are subject to change without notice. Analog Devices assumes no obligation regarding future manufacture unless otherwise agreed to in writing. No responsibility is assumed by Analog Devices for its use; nor for any infringements of patents or other rights of third parties that may result from its use. No license is granted by implication or otherwise under any patent or patent rights of Analog Devices.