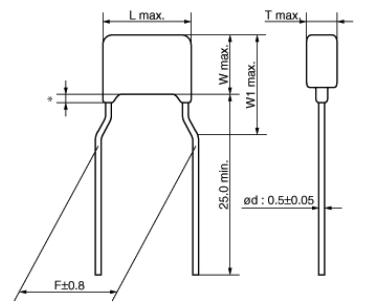


# RDER71E104K0K1C03B



## Appearance & Shape



\* Coating extension does not exceed the end of the lead bend.  
· Lead Wire : Solder Coated Copper Wire or Solder Coated CP Wire (in mm)

## References

| Packaging | Specifications | Standard Packing Quantity |
|-----------|----------------|---------------------------|
| B         | Bulk(Bag)      | 500                       |

| Mass (typ.) |      |
|-------------|------|
| 1 piece     | 0.1g |

**Attention**  
 1.This datasheet is downloaded from the website of Murata Manufacturing Co., Ltd. Therefore, it's specifications are subject to change or our products in it may be discontinued without advance notice. Please check with our sales representatives or product engineers before ordering.  
 2.This datasheet has only typical specifications because there is no space for detailed specifications.  
 Therefore, please review our product specifications or consult the approval sheet for product specifications before ordering.

# RDER71E104K0K1C03B



## Specifications

|  |                |
|--|----------------|
| L size or Outer diameter D                       | 4.0mm max.     |
| Width  | 3.5mm max.     |
| T size   | 2.5mm max.     |
| Lead spacing F                                   | 5.0±0.8mm      |
| Lead diameter d                                  | 0.5±0.05mm     |
| Capacitance                                      | 0.10μF ±10%    |
| Rated voltage                                    | 25Vdc          |
| Temperature characteristics                      | X7R(EIA)       |
| Capacitance change rate                          | ±15%           |
| Temperature range of temperature characteristics | -55°C to 125°C |
| Operating Temperature Range                      | -55°C to 125°C |
| W1 size  | 6.0mm max.     |

### Attention

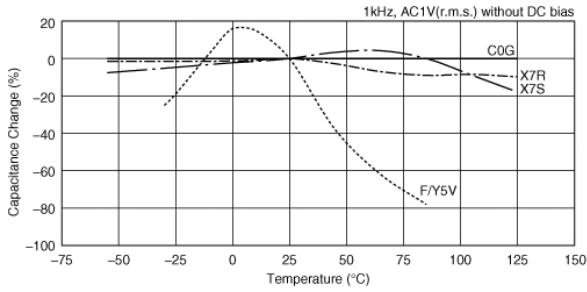
1.This datasheet is downloaded from the website of Murata Manufacturing Co., Ltd. Therefore, it's specifications are subject to change or our products in it may be discontinued without advance notice. Please check with our sales representatives or product engineers before ordering.

2.This datasheet has only typical specifications because there is no space for detailed specifications.

Therefore, please review our product specifications or consult the approval sheet for product specifications before ordering.

# RDER71E104K0K1C03B

## Characteristic Data



### Capacitance - temperature characteristics

#### Attention

- 1.This datasheet is downloaded from the website of Murata Manufacturing Co., Ltd. Therefore, it's specifications are subject to change or our products in it may be discontinued without advance notice. Please check with our sales representatives or product engineers before ordering.
- 2.This datasheet has only typical specifications because there is no space for detailed specifications.  
Therefore, please review our product specifications or consult the approval sheet for product specifications before ordering.