

- Ideal for 916.5 MHz Remote Control and Data Telemetry Transmitters
- Very Low Series Resistance
- Quartz Stability
- Complies with Directive 2002/95/EC (RoHS)



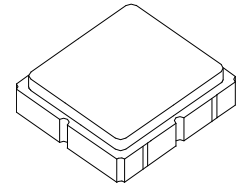
The RO3144D is a true one-port, surface-acoustic-wave (SAW) resonator in a surface-mount ceramic case. It provides reliable, fundamental-mode stabilization of fixed-frequency transmitters operating at 916.5 MHz. This SAW resonator is designed specifically for use in remote control and data telemetry transmitters operating in the USA under FCC Part 15 regulations and in Canada under DoC RSS-210.

### Absolute Maximum Ratings

Rating	Value	Units
Input Power Level	10	dBm
DC Voltage	12	VDC
Storage Temperature	-40 to +85	°C
Soldering Temperature (10 seconds / 5 cycles maximum)	260	°C

## RO3144D

### 916.5 MHz SAW Resonator



**SM3838-6 Case**  
3.8 X 3.8

### Electrical Characteristics

Characteristic		Sym	Notes	Minimum	Typical	Maximum	Units	
Frequency, +25 °C	RO3144D	f <sub>C</sub>	2, 3, 4, 5	916.300		916.700	MHz	
	RO3144D-1			916.350		916.650		
	RO3144D-2			916.400		916.600		
Tolerance from 916.5 MHz	RO3144D	Δf <sub>C</sub>				±200	kHz	
	RO3144D-1					±150		
	RO3144D-2					±100		
Insertion Loss		IL	2, 5, 6		1.20	2.5	dB	
Quality Factor	Unloaded Q	Q <sub>U</sub>	5, 6, 7		6800			
	50Ω Loaded Q	Q <sub>L</sub>			700			
Temperature Stability	Turnover Temperature	T <sub>O</sub>	6, 7, 8	10	25	40	°C	
	Turnover Frequency	f <sub>O</sub>			f <sub>c</sub>			MHz
	Frequency Temperature Coefficient	FTC			0.032			ppm/°C <sup>2</sup>
Frequency Aging	Absolute Value during the First Year	fA	1		10		ppm	
DC Insulation Resistance between Any Two Terminals			5	1.0			MΩ	
RF Equivalent RLC Model	Motional Resistance	R <sub>M</sub>	5, 6, 7, 9		11.8		Ω	
	Motional Inductance	L <sub>M</sub>			14		μH	
	Motional Capacitance	C <sub>M</sub>			2.1		fF	
	Transducer Static Capacitance	C <sub>O</sub>		5, 6, 9	2.1		pF	
Test Fixture Shunt Inductance		L <sub>TEST</sub>	2, 7		14.3		nH	
Lid Symbolization	RO3144D 692, RO3144D-1 767, RO3144D-2 768 / YWWS							
Standard Reel Quantity	Reel Size 7 Inch		10	500 Pieces / Reel				
	Reel Size 13 Inch			3000 Pieces / Reel				

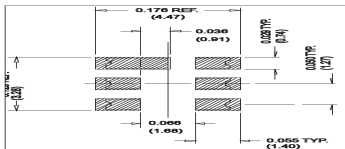
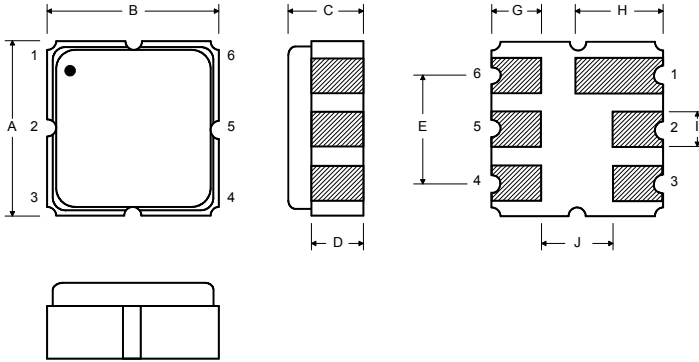
**CAUTION: Electrostatic Sensitive Device. Observe precautions for handling.**

- NOTES:**
1. Frequency aging is the change in f<sub>C</sub> with time and is specified at +65 °C or less. Aging may exceed the specification for prolonged temperatures above +65 °C. Typically, aging is greatest the first year after manufacture, decreasing in subsequent years.
  2. The center frequency, f<sub>C</sub>, is measured at the minimum insertion loss point, IL<sub>MIN</sub>, with the resonator in the 50 Ω test system (VSWR ≤ 1.2:1). The shunt inductance, L<sub>TEST</sub>, is tuned for parallel resonance with C<sub>O</sub> at f<sub>C</sub>. Typically, f<sub>OSCILLATOR</sub> or f<sub>TRANSMITTER</sub> is approximately equal to the resonator f<sub>C</sub>.
  3. One or more of the following United States patents apply: 4,454,488 and 4,616,197.
  4. Typically, equipment utilizing this device requires emissions testing and government approval, which is the responsibility of the equipment manufacturer.
  5. Unless noted otherwise, case temperature T<sub>C</sub> = +25 ± 2 °C.
  6. The design, manufacturing process, and specifications of this device are subject to change without notice.
  7. Derived mathematically from one or more of the following directly measured parameters: f<sub>C</sub>, IL, 3 dB bandwidth, f<sub>C</sub> versus T<sub>C</sub>, and C<sub>O</sub>.
  8. Turnover temperature, T<sub>O</sub>, is the temperature of maximum (or turnover) frequency, f<sub>O</sub>. The nominal frequency at any case temperature, T<sub>C</sub>, may be calculated from: f = f<sub>O</sub> [1 - FTC (T<sub>O</sub> - T<sub>C</sub>)<sup>2</sup>]. Typically oscillator T<sub>O</sub> is approximately equal to the specified resonator T<sub>O</sub>.
  9. This equivalent RLC model approximates resonator performance near the resonant frequency and is provided for reference only. The capacitance C<sub>O</sub> is the static (nonmotional) capacitance between the two terminals measured at low frequency (10 MHz) with a capacitance meter. The measurement includes parasitic capacitance with "NC" pads unconnected. Case parasitic capacitance is approximately 0.05 pF. Transducer parallel capacitance can be calculated as: C<sub>P</sub> ≈ C<sub>O</sub> - 0.05 pF.
  10. Tape and Reel Standard Per ANSI/EIA 481.

## Electrical Connections

The SAW resonator is bidirectional and may be installed with either orientation. The two terminals are interchangeable and unnumbered. The callout NC indicates no internal connection. The NC pads assist with mechanical positioning and stability. External grounding of the NC pads is recommended to help reduce parasitic capacitance in the circuit.

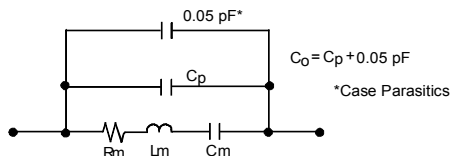
Pin	Connection
1	NC
2	Terminal
3	NC
4	NC
5	NC
6	Terminal
7	NC
8	NC



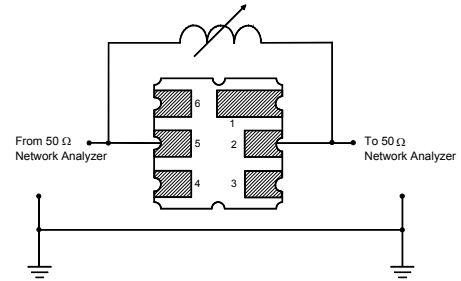
## Case Dimensions

Dimension	mm			Inches		
	Min	Nom	Max	Min	Nom	Max
A	3.60	3.80	4.00	0.142	0.150	0.157
B	3.60	3.80	4.00	0.142	0.150	0.157
C	1.10	1.30	1.50	0.043	0.050	0.060
D	0.95	1.10	1.25	0.037	0.043	0.049
E	2.39	2.54	2.69	0.094	0.100	0.106
G	0.90	1.00	1.10	0.035	0.040	0.043
H	1.90	2.00	2.10	0.748	0.079	0.083
I	0.50	0.60	0.70	0.020	0.024	0.028
J	1.70	1.80	1.90	0.067	0.071	0.075

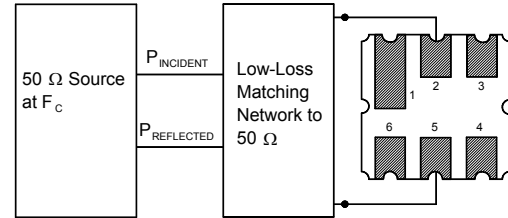
## Equivalent RLC Model



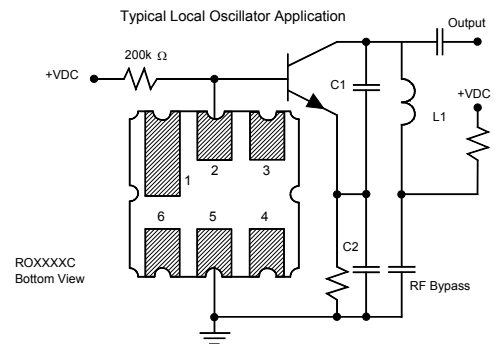
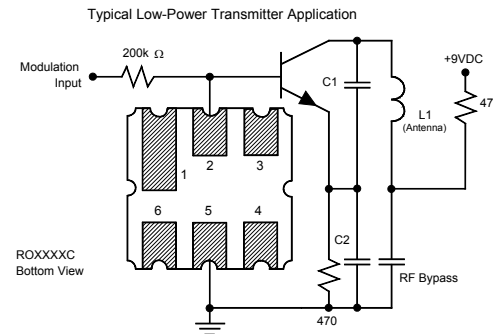
## Parameter Test Circuit



## Power Test Circuit



## Example Application Circuits



## Temperature Characteristics

The curve shown on the right accounts for resonator contribution only and does not include LC component temperature contributions.

