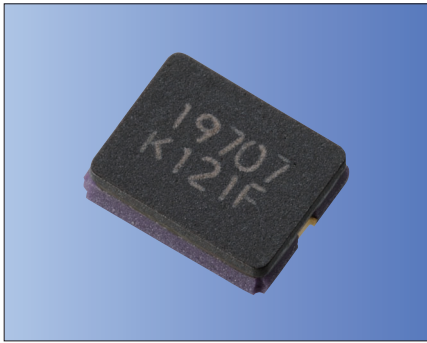




3.2×2.5mm for Automotive



AEC-Q200 RoHS Compliant

Features

- Crystal unit for automotive electronics
- Improved solderability
- Small and low profile (3.2×2.5×0.85mm)
- Ceramic package
- Reflow compatible
- Acceptable heat cycle solder junction for 3000 cycles (-40 to +125°C)

Applications

- ECU
- TPMS
- High-Speed Automotive Network

How to Order

CX3225GA 16000 D0 P T V CC
① ② ③ ④ ⑤ ⑥ ⑦

| | | | |
|------------------------|----------------------------|-----------------------|----------------------|
| ①Series | ②Frequency | ③Load Capacitance | ④Frequency Tolerance |
| D0 | 8 pF | P | ±50×10 ⁻⁶ |
| ⑤Operating Temp. Range | ⑥Frequency Temp. Stability | | |
| TV | -40 to +150°C | ±150×10 ⁻⁶ | |

⑦Individual Specification (STD Specification is "CC".)

Packaging (Tape & Reel 3000 pcs./ reel)

Specifications

| Item | Symbol | Specification | Unit | Remarks |
|---------------------------------|------------------|-----------------------|-------------------|--|
| Frequency Range | f _{nom} | 8, 12, 16, 20, 25, 40 | MHz | Please contact us for other frequency range. |
| Overtone Order | OT | Fundamental | — | |
| Load Capacitance | CL | 8 | pF | Please contact us for other CL requirements. |
| Frequency Tolerance | f _{tol} | ±50 | ×10 ⁻⁶ | 25°C±3°C |
| Motional Series Resistance | R1 | Table 1 | ohm | |
| Drive Level | DL | 10μW(200μW max.) | μW | |
| Operating Temp. Range | T _{use} | -40 to +150 | °C | |
| Storage Temp. Range | T _{stg} | -40 to +150 | °C | |
| Frequency Temp. Characteristics | f _{tem} | ±150 | ×10 ⁻⁶ | Freq. deviation from the value at 25°C |

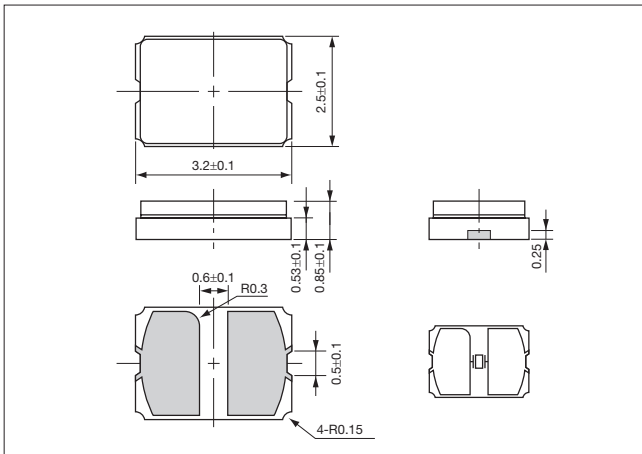
Please contact us for other specifications.

Table 1 Motional Series Resistance Please contact us for other frequency range.

| Frequency | Motional Series Resistance |
|-----------|----------------------------|
| 8MHz | 500 Ω max. |
| 12MHz | 200 Ω max. |
| 20MHz | 100 Ω max. |

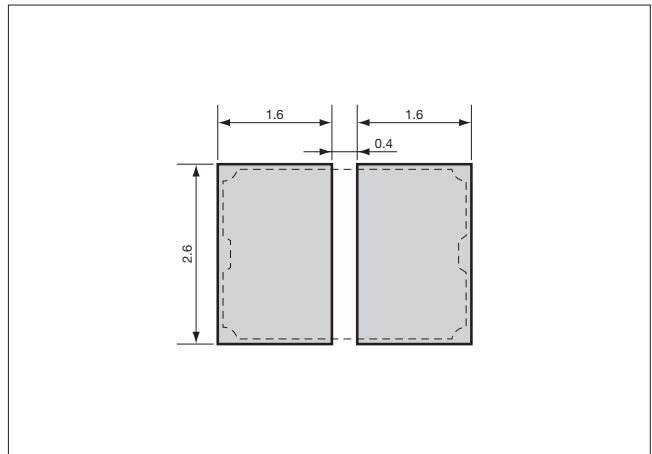
Dimensions

(Unit: mm)



Recommended Land Pattern

(Unit: mm)



Crystal Units

