

# S29AL016J

**16 Megabit (2 M x 8-Bit/1 M x 16-Bit)  
CMOS 3.0 Volt-only Boot Sector Flash Memory**

*Data Sheet*

---



**Notice to Readers:** This document states the current technical specifications regarding the Spansion product(s) described herein. Spansion Inc. deems the products to have been in sufficient production volume such that subsequent versions of this document are not expected to change. However, typographical or specification corrections, or modifications to the valid combinations offered may occur.

## Notice On Data Sheet Designations

Spansion Inc. issues data sheets with Advance Information or Preliminary designations to advise readers of product information or intended specifications throughout the product life cycle, including development, qualification, initial production, and full production. In all cases, however, readers are encouraged to verify that they have the latest information before finalizing their design. The following descriptions of Spansion data sheet designations are presented here to highlight their presence and definitions.

### Advance Information

The Advance Information designation indicates that Spansion Inc. is developing one or more specific products, but has not committed any design to production. Information presented in a document with this designation is likely to change, and in some cases, development on the product may discontinue. Spansion Inc. therefore places the following conditions upon Advance Information content:

“This document contains information on one or more products under development at Spansion Inc. The information is intended to help you evaluate this product. Do not design in this product without contacting the factory. Spansion Inc. reserves the right to change or discontinue work on this proposed product without notice.”

### Preliminary

The Preliminary designation indicates that the product development has progressed such that a commitment to production has taken place. This designation covers several aspects of the product life cycle, including product qualification, initial production, and the subsequent phases in the manufacturing process that occur before full production is achieved. Changes to the technical specifications presented in a Preliminary document should be expected while keeping these aspects of production under consideration. Spansion places the following conditions upon Preliminary content:

“This document states the current technical specifications regarding the Spansion product(s) described herein. The Preliminary status of this document indicates that product qualification has been completed, and that initial production has begun. Due to the phases of the manufacturing process that require maintaining efficiency and quality, this document may be revised by subsequent versions or modifications due to changes in technical specifications.”

### Combination

Some data sheets contain a combination of products with different designations (Advance Information, Preliminary, or Full Production). This type of document distinguishes these products and their designations wherever necessary, typically on the first page, the ordering information page, and pages with the DC Characteristics table and the AC Erase and Program table (in the table notes). The disclaimer on the first page refers the reader to the notice on this page.

### Full Production (No Designation on Document)

When a product has been in production for a period of time such that no changes or only nominal changes are expected, the Preliminary designation is removed from the data sheet. Nominal changes may include those affecting the number of ordering part numbers available, such as the addition or deletion of a speed option, temperature range, package type, or  $V_{IO}$  range. Changes may also include those needed to clarify a description or to correct a typographical error or incorrect specification. Spansion Inc. applies the following conditions to documents in this category:

“This document states the current technical specifications regarding the Spansion product(s) described herein. Spansion Inc. deems the products to have been in sufficient production volume such that subsequent versions of this document are not expected to change. However, typographical or specification corrections, or modifications to the valid combinations offered may occur.”

Questions regarding these document designations may be directed to your local sales office.

# S29AL016J

## 16 Megabit (2 M x 8-Bit/1 M x 16-Bit) CMOS 3.0 Volt-only Boot Sector Flash Memory

### Data Sheet

---



## Distinctive Characteristics

### Architectural Advantages

- **Single Power Supply Operation**
  - Full voltage range: 2.7 to 3.6 volt read and write operations for battery-powered applications
- **Manufactured on 110 nm Process Technology**
  - Fully compatible with 200 nm S29AL016D
- **Secured Silicon Sector region**
  - 128-word/256-byte sector for permanent, secure identification through an 8-word/16-byte random Electronic Serial Number accessible through a command sequence
  - May be programmed and locked at the factory or by the customer
- **Flexible Sector Architecture**
  - One 16 Kbyte, two 8 Kbyte, one 32 Kbyte, and thirty-one 64 Kbyte sectors (byte mode)
  - One 8 Kword, two 4 Kword, one 16 Kword, and thirty-one 32 Kword sectors (word mode)
- **Sector Group Protection Features**
  - A hardware method of locking a sector to prevent any program or erase operations within that sector
  - Sectors can be locked in-system or via programming equipment
  - Temporary Sector Unprotect feature allows code changes in previously locked sectors
- **Unlock Bypass Program Command**
  - Reduces overall programming time when issuing multiple program command sequences
- **Top or Bottom Boot Block Configurations Available**
- **Compatibility with JEDEC standards**
  - Pinout and software compatible with single-power supply Flash
  - Superior inadvertent write protection

### Performance Characteristics

- **High Performance**
  - Access times as fast as 55 ns
  - Extended temperature range (–40°C to +125°C)
- **Ultra Low Power Consumption (typical values at 5 MHz)**
  - 0.2  $\mu$ A Automatic Sleep mode current
  - 0.2  $\mu$ A standby mode current
  - 7 mA read current
  - 20 mA program/erase current
- **Cycling Endurance: 1,000,000 cycles per sector typical**
- **Data Retention: 20 years typical**

### Package Options

- **48-ball Fine-pitch BGA**
- **64-ball Fortified BGA**
- **48-pin TSOP**
- **56-pin SSOP**

### Software Features

- **CFI (Common Flash Interface) Compliant**
  - Provides device-specific information to the system, allowing host software to easily reconfigure for different Flash devices
- **Erase Suspend/Erase Resume**
  - Suspends an erase operation to read data from, or program data to, a sector that is not being erased, then resumes the erase operation
- **Data# Polling and Toggle Bits**
  - Provides a software method of detecting program or erase operation completion

### Hardware Features

- **Ready/Busy# Pin (RY/BY#)**
  - Provides a hardware method of detecting program or erase cycle completion
- **Hardware Reset Pin (RESET#)**
  - Hardware method to reset the device to reading array data
- **WP# input pin**
  - For boot sector devices: at  $V_{IL}$ , protects first or last 16 Kbyte sector depending on boot configuration (top boot or bottom boot)

## General Description

The S29AL016J is a 16 Mbit, 3.0 Volt-only Flash memory organized as 2,097,152 bytes or 1,048,576 words. The device is offered in 48-ball Fine-pitch BGA (0.8 mm pitch), 64-ball Fortified BGA (1.0 mm pitch) and 48-pin TSOP packages. The word-wide data (x16) appears on DQ15–DQ0; the byte-wide (x8) data appears on DQ7–DQ0. This device is designed to be programmed in-system with the standard system 3.0 volt  $V_{CC}$  supply. A 12.0 V  $V_{PP}$  or 5.0  $V_{CC}$  are not required for write or erase operations. The device can also be programmed in standard EPROM programmers.

The device offers access time of 55 ns allowing high speed microprocessors to operate without wait states. To eliminate bus contention the device has separate chip enable (CE#), write enable (WE#) and output enable (OE#) controls.

The device requires only a **single 3.0 volt power supply** for both read and write functions. Internally generated and regulated voltages are provided for the program and erase operations.

The S29AL016J is entirely command set compatible with the **JEDEC single-power-supply Flash standard**. Commands are written to the command register using standard microprocessor write timings. Register contents serve as input to an internal state-machine that controls the erase and programming circuitry. Write cycles also internally latch addresses and data needed for the programming and erase operations. Reading data out of the device is similar to reading from other Flash or EPROM devices.

Device programming occurs by executing the program command sequence. This initiates the **Embedded Program** algorithm—an internal algorithm that automatically times the program pulse widths and verifies proper cell margin. The **Unlock Bypass** mode facilitates faster programming times by requiring only two write cycles to program data instead of four.

Device erasure occurs by executing the erase command sequence. This initiates the **Embedded Erase** algorithm—an internal algorithm that automatically preprograms the array (if it is not already programmed) before executing the erase operation. During erase, the device automatically times the erase pulse widths and verifies proper cell margin.

The host system can detect whether a program or erase operation is complete by observing the RY/BY# pin, or by reading the DQ7 (Data# Polling) and DQ6 (toggle) **status bits**. After a program or erase cycle has been completed, the device is ready to read array data or accept another command.

The **sector erase architecture** allows memory sectors to be erased and reprogrammed without affecting the data contents of other sectors. The device is fully erased when shipped from the factory.

**Hardware data protection** measures include a low  $V_{CC}$  detector that automatically inhibits write operations during power transitions. The **hardware sector protection** feature disables both program and erase operations in any combination of the sectors of memory. This can be achieved in-system or via programming equipment.

The **Erase Suspend/Erase Resume** feature enables the user to put erase on hold for any period of time to read data from, or program data to, any sector that is not selected for erasure. True background erase can thus be achieved.

The **hardware RESET# pin** terminates any operation in progress and resets the internal state machine to reading array data. The RESET# pin may be tied to the system reset circuitry. A system reset would thus also reset the device, enabling the system microprocessor to read the boot-up firmware from the Flash memory.

The device offers two power-saving features. When addresses have been stable for a specified amount of time, the device enters the **automatic sleep mode**. The system can also place the device into the **standby mode**. Power consumption is greatly reduced in both these modes.

Spansion combines years of flash memory manufacturing experience to produce the highest levels of quality, reliability and cost effectiveness. The device electrically erases all bits within a sector simultaneously via Fowler-Nordheim tunneling. The data is programmed using hot electron injection.

## Table of Contents

<b>Distinctive Characteristics</b> .....	3
<b>General Description</b> .....	4
<b>1. Product Selector Guide</b> .....	9
<b>2. Block Diagram</b> .....	9
<b>3. Connection Diagrams</b> .....	10
3.1 Special Handling Instructions .....	12
<b>4. Pin Configuration</b> .....	13
<b>5. Logic Symbol</b> .....	13
<b>6. Ordering Information</b> .....	14
6.1 S29AL016J Standard Products .....	14
<b>7. Device Bus Operations</b> .....	16
7.1 Word/Byte Configuration .....	16
7.2 Requirements for Reading Array Data .....	16
7.3 Writing Commands/Command Sequences .....	17
7.4 Program and Erase Operation Status .....	17
7.5 Standby Mode .....	17
7.6 Automatic Sleep Mode .....	18
7.7 RESET#: Hardware Reset Pin .....	18
7.8 Output Disable Mode .....	18
7.9 Autoselect Mode .....	21
7.10 Sector Group Protection/Unprotection .....	21
7.11 Temporary Sector Group Unprotect .....	22
<b>8. Secured Silicon Sector Flash Memory Region</b> .....	25
8.1 Factory Locked: Secured Silicon Sector Programmed and Protected at the Factory .....	25
8.2 Customer Lockable: Secured Silicon Sector NOT Programmed or Protected at the Factory .....	25
<b>9. Common Flash Memory Interface (CFI)</b> .....	27
9.1 Hardware Data Protection .....	29
<b>10. Command Definitions</b> .....	30
10.1 Reading Array Data .....	30
10.2 Reset Command .....	30
10.3 Autoselect Command Sequence .....	30
10.4 Enter/Exit Secured Silicon Sector Command Sequence .....	31
10.5 Word/Byte Program Command Sequence .....	31
10.6 Unlock Bypass Command Sequence .....	31
10.7 Chip Erase Command Sequence .....	32
10.8 Sector Erase Command Sequence .....	33
10.9 Erase Suspend/Erase Resume Commands .....	33
10.10 Command Definitions Table .....	35
<b>11. Write Operation Status</b> .....	36
11.1 DQ7: Data# Polling .....	36
11.2 RY/BY#: Ready/Busy# .....	37
11.3 DQ6: Toggle Bit I .....	38
11.4 DQ2: Toggle Bit II .....	38
11.5 Reading Toggle Bits DQ6/DQ2 .....	39
11.6 DQ5: Exceeded Timing Limits .....	40
11.7 DQ3: Sector Erase Timer .....	40
<b>12. Absolute Maximum Ratings</b> .....	41
<b>13. Operating Ranges</b> .....	41
<b>14. DC Characteristics</b> .....	42
14.1 CMOS Compatible .....	42

<b>15. Test Conditions</b> .....	43
<b>16. Key to Switching Waveforms</b> .....	43
<b>17. AC Characteristics</b> .....	44
17.1 Read Operations .....	44
17.2 Hardware Reset (RESET#) .....	45
17.3 Word/Byte Configuration (BYTE#) .....	46
17.4 Erase/Program Operations .....	47
17.5 Temporary Sector Group Unprotect. ....	51
17.6 Alternate CE# Controlled Erase/Program Operations .....	52
<b>18. Erase and Programming Performance</b> .....	53
<b>19. TSOP and BGA Pin Capacitance</b> .....	53
<b>20. Physical Dimensions</b> .....	54
20.1 TS 048—48-Pin Standard TSOP .....	54
20.2 VBK048—48-Ball Fine-Pitch Ball Grid Array (BGA) 8.15 mm x 6.15 mm .....	55
20.3 LAE064—64-Ball Fortified Ball Grid Array (BGA) 9 mm x 9 mm .....	56
20.4 SSOP56- 56-Pin Shrink Small Outline Package .....	57
<b>21. Revision History</b> .....	58

## Figures

Figure 3.1	48-pin Standard TSOP (TS048) . . . . .	10
Figure 3.2	48-ball Fine-pitch BGA (VBK048) . . . . .	10
Figure 3.3	64-ball Fortified BGA . . . . .	11
Figure 3.4	56-pin Shrink Small Outline Package (SSOP56) . . . . .	12
Figure 7.1	Temporary Sector Group Unprotect Operation . . . . .	23
Figure 7.2	In-System Sector Group Protect/Unprotect Algorithms . . . . .	24
Figure 8.1	Secured Silicon Sector Protect Verify . . . . .	26
Figure 10.1	Program Operation . . . . .	32
Figure 10.2	Erase Operation . . . . .	34
Figure 11.1	Data# Polling Algorithm . . . . .	37
Figure 11.2	Toggle Bit Algorithm . . . . .	39
Figure 13.1	Maximum Negative Overshoot Waveform . . . . .	41
Figure 13.2	Maximum Positive Overshoot Waveform . . . . .	41
Figure 15.1	Test Setup . . . . .	43
Figure 16.1	Input Waveforms and Measurement Levels . . . . .	43
Figure 17.1	Read Operations Timings . . . . .	44
Figure 17.2	RESET# Timings . . . . .	45
Figure 17.3	BYTE# Timings for Read Operations . . . . .	46
Figure 17.4	BYTE# Timings for Write Operations . . . . .	46
Figure 17.5	Program Operation Timings . . . . .	47
Figure 17.6	Chip/Sector Erase Operation Timings . . . . .	48
Figure 17.7	Back to Back Read/Write Cycle Timing . . . . .	48
Figure 17.8	Data# Polling Timings (During Embedded Algorithms) . . . . .	49
Figure 17.9	Toggle Bit Timings (During Embedded Algorithms) . . . . .	49
Figure 17.10	DQ2 vs. DQ6 for Erase and Erase Suspend Operations . . . . .	50
Figure 17.11	Temporary Sector Group Unprotect/Timing Diagram . . . . .	51
Figure 17.12	Sector Group Protect/Unprotect Timing Diagram . . . . .	51
Figure 17.13	Alternate CE# Controlled Write Operation Timings . . . . .	52

## Tables

Table 7.1	S29AL016J Device Bus Operations. . . . .	16
Table 7.2	Sector Address Tables (Top Boot Device). . . . .	19
Table 7.3	Secured Silicon Sector Addresses (Top Boot). . . . .	19
Table 7.4	Sector Address Tables (Bottom Boot Device) . . . . .	20
Table 7.5	Secured Silicon Sector Addresses (Bottom Boot) . . . . .	20
Table 7.6	S29AL016J Autoselect Codes (High Voltage Method) . . . . .	21
Table 7.7	S29AL016J Top Boot Device Sector/Sector Group Protection . . . . .	22
Table 7.8	S29AL016J Bottom Boot Device Sector/Sector Group Protection. . . . .	22
Table 9.1	CFI Query Identification String . . . . .	27
Table 9.2	System Interface String . . . . .	27
Table 9.3	Device Geometry Definition . . . . .	28
Table 9.4	Primary Vendor-Specific Extended Query . . . . .	28
Table 10.1	S29AL016J Command Definitions . . . . .	35
Table 11.1	Write Operation Status. . . . .	40
Table 15.1	Test Specifications. . . . .	43

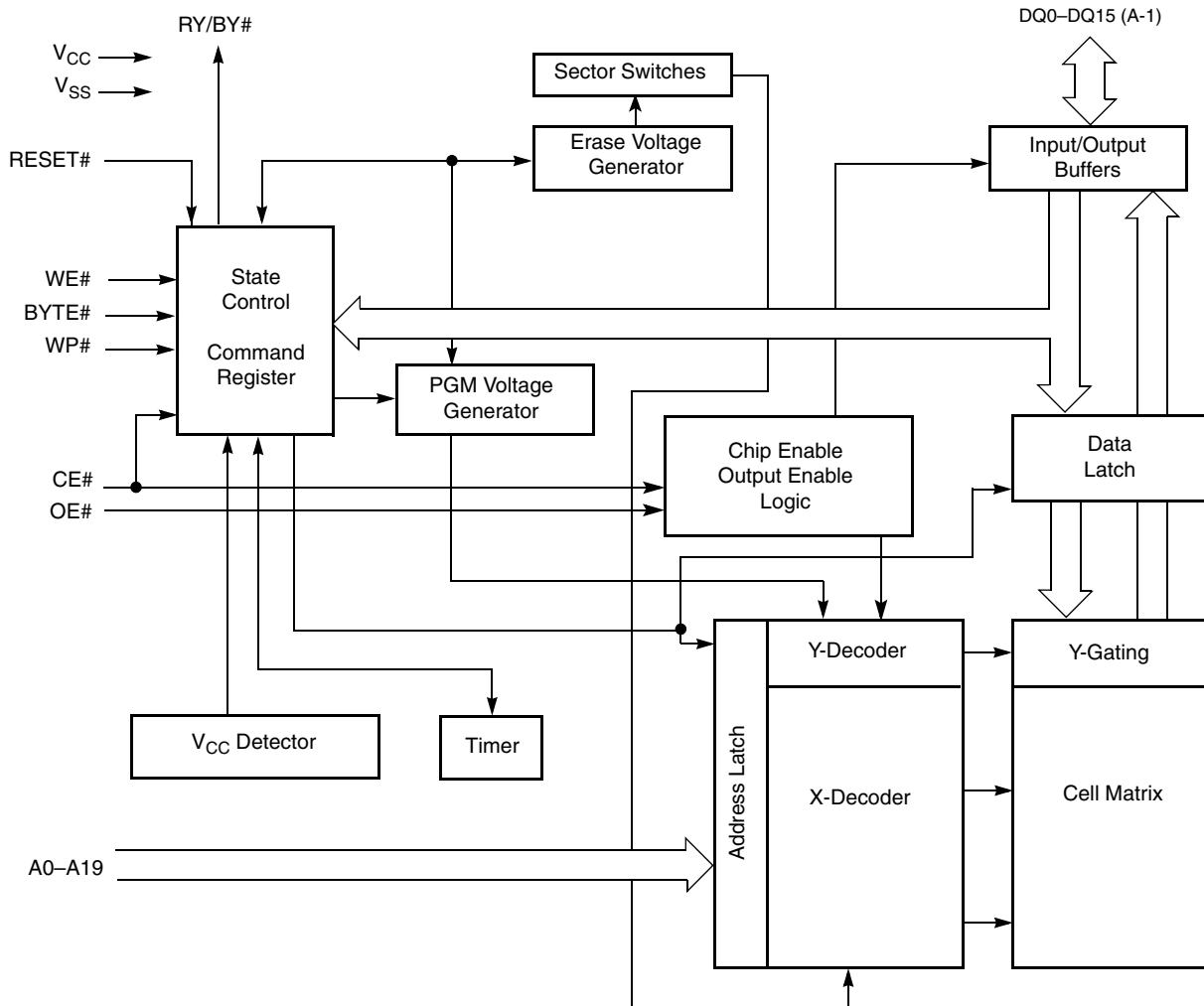


## 1. Product Selector Guide

Family Part Number		S29AL016J	
Speed Option	Voltage Range: $V_{CC} = 2.7-3.6V$		70
	$V_{CC} = 3.0-3.6V$	55	
Max access time, ns ( $t_{ACC}$ )		55	70
Max CE# access time, ns ( $t_{CE}$ )		55	70
Max CE# access time, ns ( $t_{OE}$ )		30	30

**Note**  
See AC Characteristics on page 44 for full specifications.

## 2. Block Diagram



### 3. Connection Diagrams

Figure 3.1 48-pin Standard TSOP (TS048)

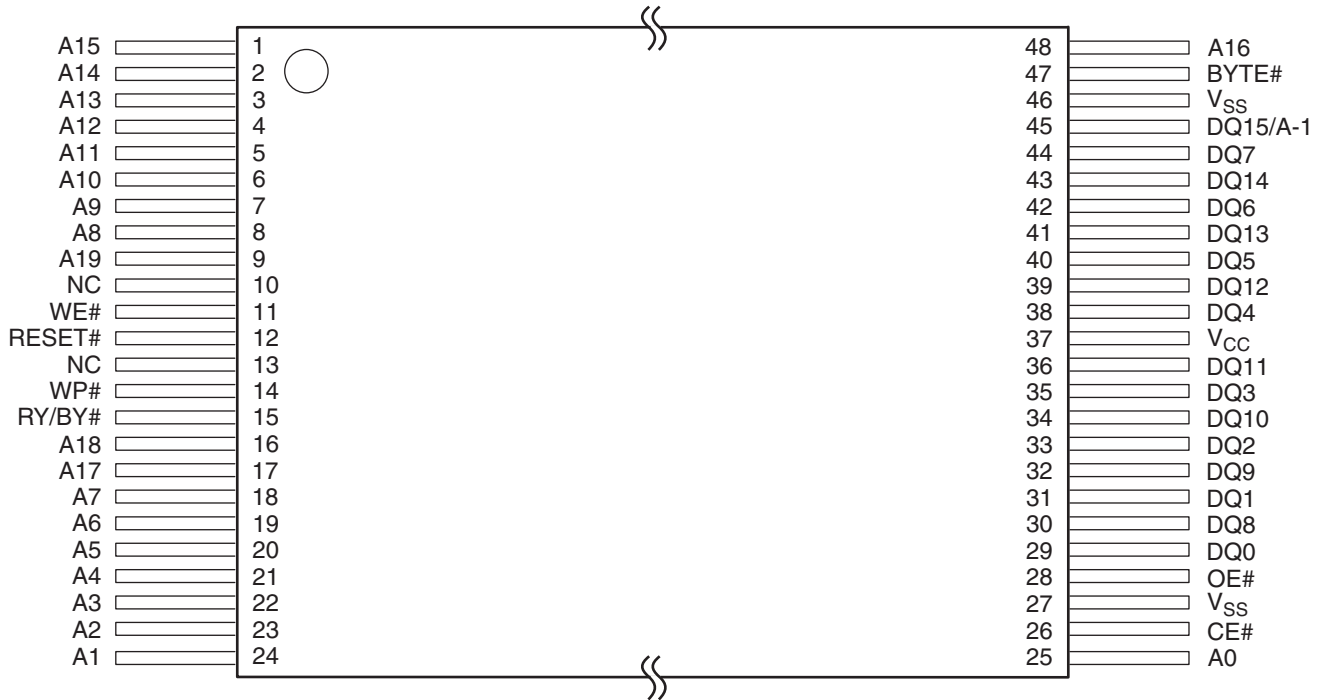
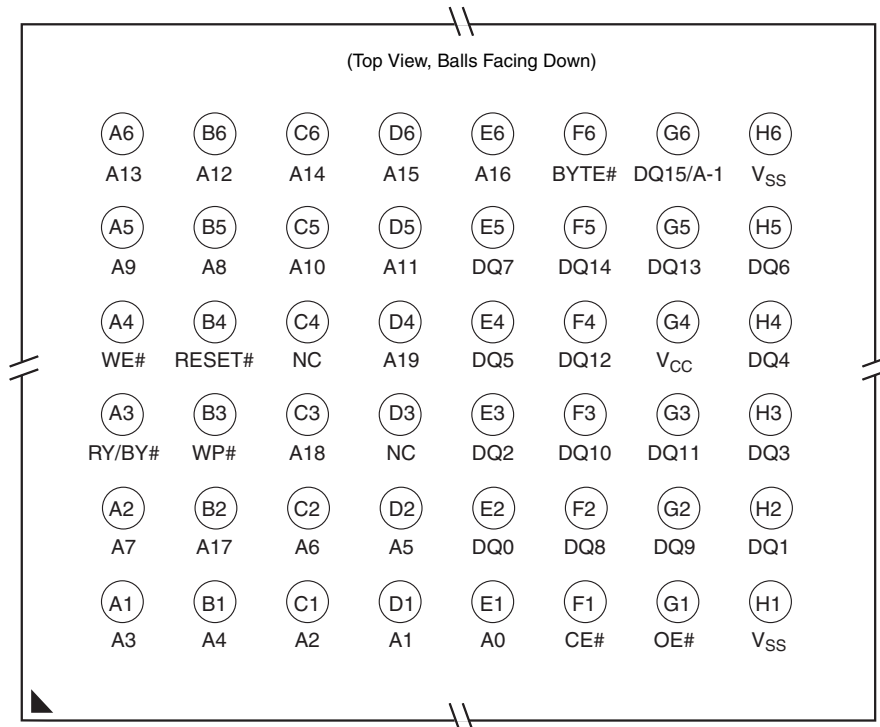
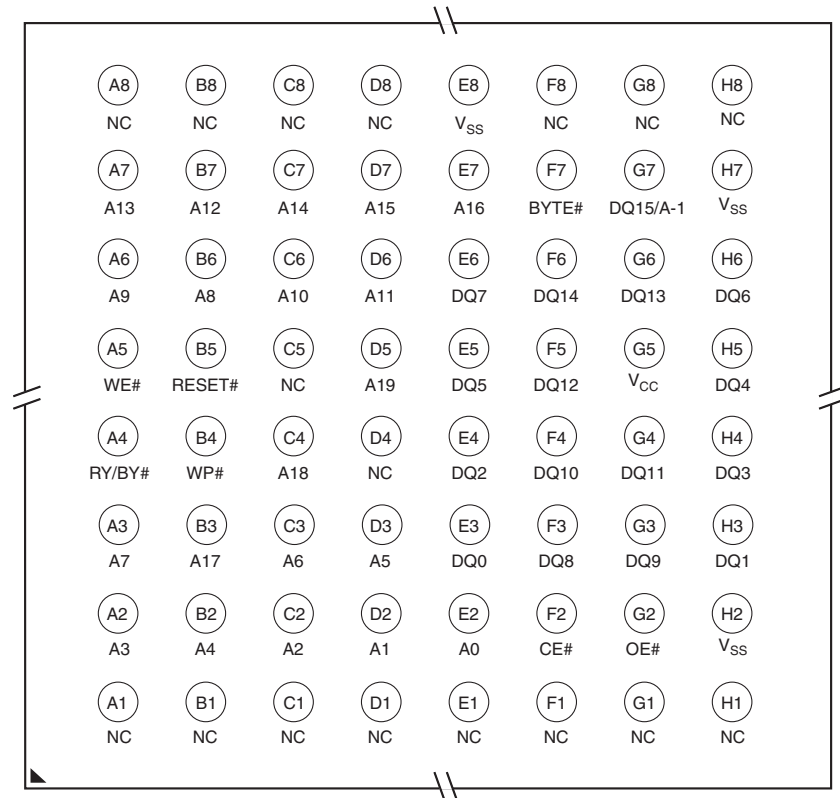


Figure 3.2 48-ball Fine-pitch BGA (VBK048)

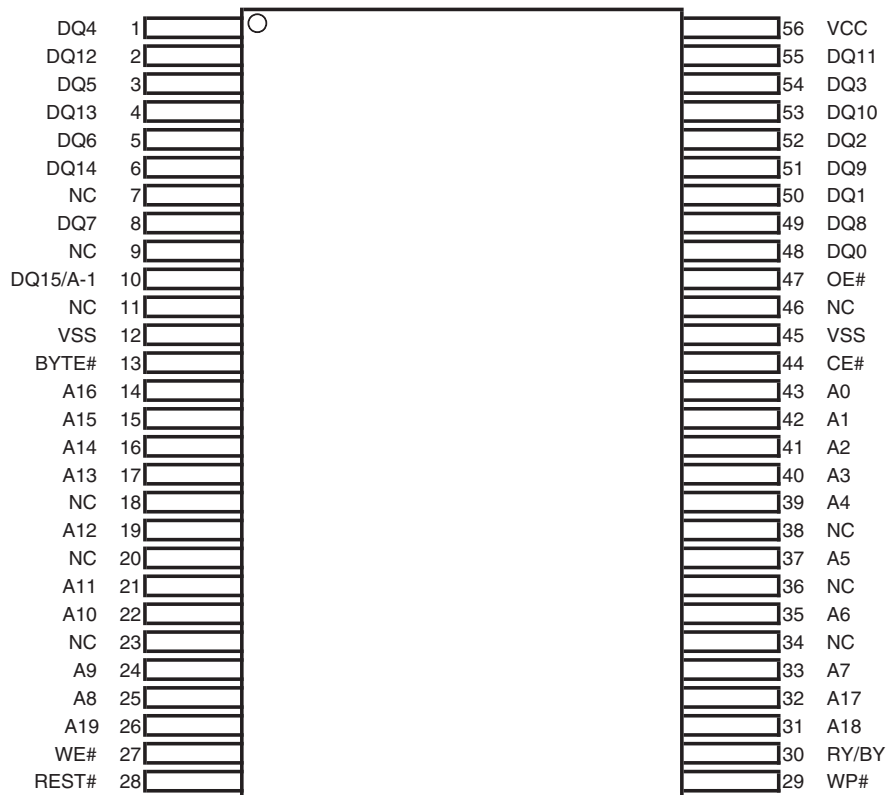


**Figure 3.3** 64-ball Fortified BGA

(Top View, Balls Facing Down)



**Figure 3.4** 56-pin Shrink Small Outline Package (SSOP56)



### 3.1 Special Handling Instructions

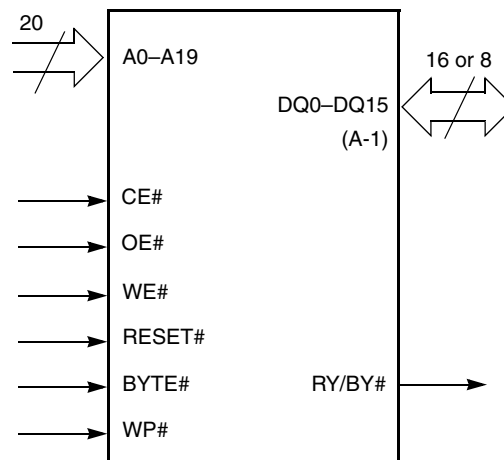
Special handling is required for Flash Memory products in BGA packages.

Flash memory devices in BGA packages may be damaged if exposed to ultrasonic cleaning methods. The package and/or data integrity may be compromised if the package body is exposed to temperatures above 150°C for prolonged periods of time.

## 4. Pin Configuration

A0–A19	20 addresses
DQ0–DQ14	15 data inputs/outputs
DQ15/A-1	DQ15 (data input/output, word mode), A-1 (LSB address input, byte mode)
BYTE#	Selects 8-bit or 16-bit mode
CE#	Chip enable
OE#	Output enable
WE#	Write enable
WP#	Write protect: The WP# contains an internal pull-up; when unconnected, WP is at $V_{IH}$ .
RESET#	Hardware reset
RY/BY#	Ready/Busy output
$V_{CC}$	3.0 volt-only single power supply (see <a href="#">Product Selector Guide on page 9</a> for speed options and voltage supply tolerances)
$V_{SS}$	Device ground
NC	Pin not connected internally

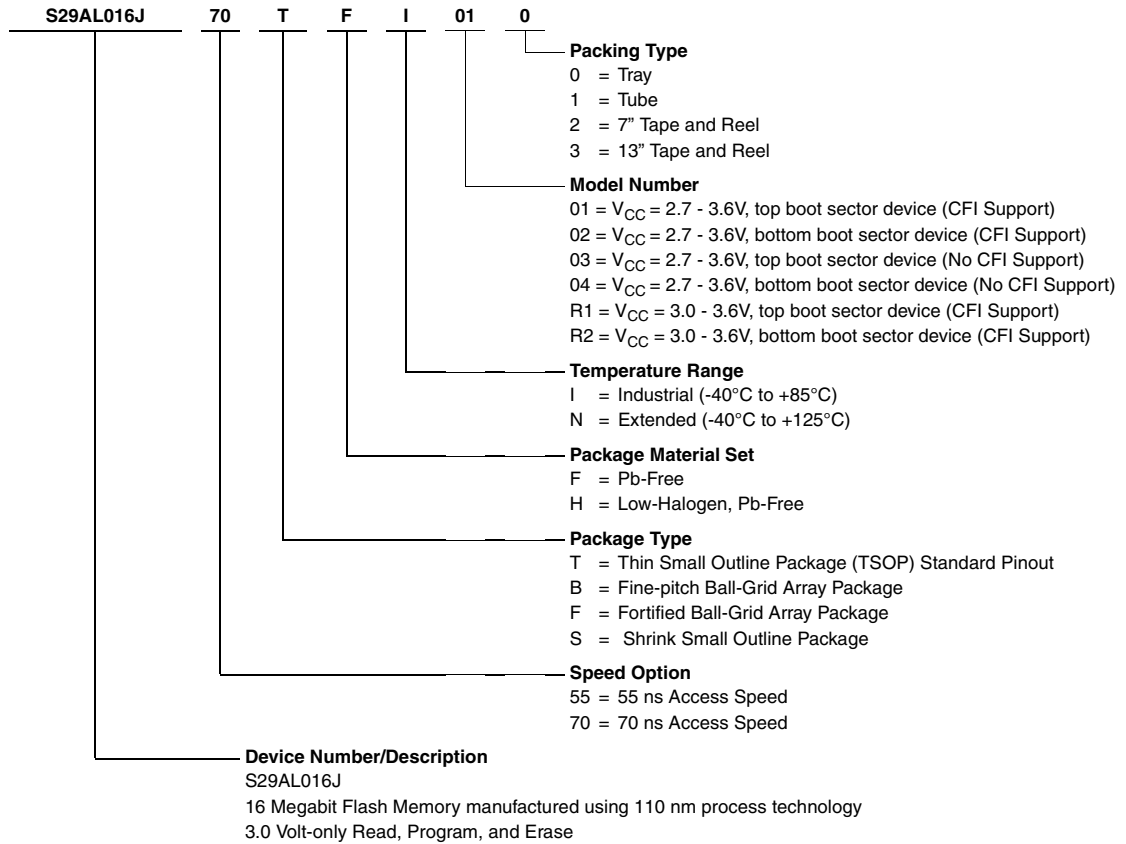
## 5. Logic Symbol



## 6. Ordering Information

### 6.1 S29AL016J Standard Products

Spansion standard products are available in several packages and operating ranges. The order number (Valid Combination) is formed by a combination of the elements below.



### Valid Combinations

Valid Combinations list configurations planned to be supported in volume for this device. Consult your local sales office to confirm availability of specific valid combinations and to check on newly released combinations.

S29AL016J Valid Combination					Package Description	
Device Number	Speed Option	Package Type, Material, and Temperature Range	Model Number	Packing Type		
S29AL016J	55	TFI, TFN	R1, R2	0, 3 (Note 1)	TS048 (Note 3)	TSOP
		SFI, SFN			SSOP56 (Note 3)	SSOP
		BFI, BFN, BHI, BHN		0, 2, 3 (Note 1)	VBK048 (Note 4)	Fine-Pitch BGA
		FFI, FFN			LAE064 (Note 4)	Fortified BGA
	70	TFI, TFN	01, 02	0, 3 (Note 1)	TS048 (Note 3)	TSOP
		SFI, SFN			SSOP56 (Note 3)	SSOP
		BFI, BFN, BHI, BHN		0, 2, 3 (Note 1)	VBK048 (Note 4)	Fine-Pitch BGA
		FFI, FFN			LAE064 (Note 4)	Fortified BGA
		TFI	03, 04	0, 3 (Note 1)	TS048 (Note 3)	TSOP
		BFN, BHN			0, 2, 3 (Note 1)	VBK048 (Note 4)

#### Notes

1. Type 0 is standard. Specify other options as required.
2. Type 1 is standard. Specify other options as required.
3. TSOP package markings omit packing type designator from ordering part number.
4. BGA package marking omits leading S29 and packing type designator from ordering part number.

## 7. Device Bus Operations

This section describes the requirements and use of the device bus operations, which are initiated through the internal command register. The command register itself does not occupy any addressable memory location. The register is composed of latches that store the commands, along with the address and data information needed to execute the command. The contents of the register serve as inputs to the internal state machine. The state machine outputs dictate the function of the device. [Table 7.1](#) lists the device bus operations, the inputs and control levels they require, and the resulting output. The following subsections describe each of these operations in further detail.

**Table 7.1** S29AL016J Device Bus Operations

Operation	CE#	OE#	WE#	RESET#	WP#	Addresses (Note 1)	DQ0– DQ7	DQ8–DQ15	
								BYTE# = V <sub>IH</sub>	BYTE# = V <sub>IL</sub>
Read	L	L	H	H	X	A <sub>IN</sub>	D <sub>OUT</sub>	D <sub>OUT</sub>	DQ8–DQ14 = High-Z, DQ15 = A-1
Write	L	H	L	H	(Note 3)	A <sub>IN</sub>	(Note 4)	(Note 4)	
Standby	V <sub>CC</sub> ± 0.3 V	X	X	V <sub>CC</sub> ± 0.3 V	X	X	High-Z	High-Z	High-Z
Output Disable	L	H	H	H	X	X	High-Z	High-Z	High-Z
Reset	X	X	X	L	X	X	High-Z	High-Z	High-Z
Sector Group Protect (2) (3)	L	H	L	V <sub>ID</sub>	H	Sector Address, A6 = L, A3 = A2 = L, A1 = H, A0 = L	(Note 4)	X	X
Sector Group Unprotect (2) (3)	L	H	L	V <sub>ID</sub>	H	Sector Address, A6 = H, A3 = A2 = L, A1 = H, A0 = L	(Note 4)	X	X
Temporary Sector Group Unprotect	X	X	X	V <sub>ID</sub>	H	A <sub>IN</sub>	(Note 4)	(Note 4)	High-Z

**Legend**

L = Logic Low = V<sub>IL</sub>; H = Logic High = V<sub>IH</sub>; V<sub>ID</sub> = 8.5 V to 12.5 V; X = Don't Care; A<sub>IN</sub> = Address In; D<sub>OUT</sub> = Data Out

**Notes**

1. Address In = Amax:A0 in WORD mode (BYTE#=V<sub>IH</sub>), Address In = Amax:A-1 in BYTE mode (BYTE#=V<sub>IL</sub>). Sector addresses are Amax to A12 in both WORD mode and BYTE mode.
2. The sector protect and sector unprotect functions may also be implemented via programming equipment. See [Section 7.10, Sector Group Protection/Unprotection on page 21](#).
3. If WP# = V<sub>IL</sub>, the outermost sector remains protected (determined by device configuration). If WP# = V<sub>IH</sub>, the outermost sector protection depends on whether the sector was last protected or unprotected using the method described in [Section 7.10, Sector Group Protection/Unprotection on page 21](#). The WP# contains an internal pull-up; when unconnected, WP is at V<sub>IH</sub>.
4. D<sub>IN</sub> or D<sub>OUT</sub> as required by command sequence, data polling, or sector group protection algorithm.

### 7.1 Word/Byte Configuration

The BYTE# pin controls whether the device data I/O pins DQ15–DQ0 operate in the byte or word configuration. If the BYTE# pin is set at logic 1, the device is in word configuration, DQ15–DQ0 are active and controlled by CE# and OE#.

If the BYTE# pin is set at logic 0, the device is in byte configuration, and only data I/O pins DQ0–DQ7 are active and controlled by CE# and OE#. The data I/O pins DQ8–DQ14 are tri-stated, and the DQ15 pin is used as an input for the LSB (A-1) address function.

### 7.2 Requirements for Reading Array Data

To read array data from the outputs, the system must drive the CE# and OE# pins to V<sub>IL</sub>. CE# is the power control and selects the device. OE# is the output control and gates array data to the output pins. WE# should remain at V<sub>IH</sub>. The BYTE# pin determines whether the device outputs array data in words or bytes.

The internal state machine is set for reading array data upon device power-up, or after a hardware reset. This ensures that no spurious alteration of the memory content occurs during the power transition. No command is necessary in this mode to obtain array data. Standard microprocessor read cycles that assert valid addresses



on the device address inputs produce valid data on the device data outputs. The device remains enabled for read access until the command register contents are altered.

See [Reading Array Data on page 30](#) for more information. Refer to the AC [Read Operations on page 44](#) for timing specifications and to [Figure 17.1 on page 44](#) for the timing diagram.  $I_{CC1}$  in [DC Characteristics on page 42](#) represents the active current specification for reading array data.

## 7.3 Writing Commands/Command Sequences

To write a command or command sequence (which includes programming data to the device and erasing sectors of memory), the system must drive WE# and CE# to  $V_{IL}$ , and OE# to  $V_{IH}$ .

For program operations, the BYTE# pin determines whether the device accepts program data in bytes or words. See [Word/Byte Configuration on page 16](#) for more information.

The device features an **Unlock Bypass** mode to facilitate faster programming. Once the device enters the Unlock Bypass mode, only two write cycles are required to program a word or byte, instead of four. [Word/Byte Program Command Sequence on page 31](#) has details on programming data to the device using both standard and Unlock Bypass command sequences.

An erase operation can erase one sector, multiple sectors, or the entire device. [Table 7.2 on page 19](#) and [Table 7.4 on page 20](#) indicate the address space that each sector occupies. A “sector address” consists of the address bits required to uniquely select a sector. The [Command Definitions on page 30](#) has details on erasing a sector or the entire chip, or suspending/resuming the erase operation.

After the system writes the autoselect command sequence, the device enters the autoselect mode. The system can then read autoselect codes from the internal register (which is separate from the memory array) on DQ7–DQ0. Standard read cycle timings apply in this mode. Refer to [Autoselect Mode on page 21](#) and [Autoselect Command Sequence on page 30](#) for more information.

$I_{CC2}$  in [DC Characteristics on page 42](#) represents the active current specification for the write mode. [AC Characteristics on page 44](#) contains timing specification tables and timing diagrams for write operations.

## 7.4 Program and Erase Operation Status

During an erase or program operation, the system may check the status of the operation by reading the status bits on DQ7–DQ0. Standard read cycle timings and  $I_{CC}$  read specifications apply. Refer to [Write Operation Status on page 36](#) for more information, and to [AC Characteristics on page 44](#) for timing diagrams.

## 7.5 Standby Mode

When the system is not reading or writing to the device, it can place the device in the standby mode. In this mode, current consumption is greatly reduced, and the outputs are placed in the high impedance state, independent of the OE# input.

The device enters the CMOS standby mode when the CE# and RESET# pins are both held at  $V_{CC} \pm 0.3$  V. (Note that this is a more restricted voltage range than  $V_{IH}$ .) If CE# and RESET# are held at  $V_{IH}$ , but not within  $V_{CC} \pm 0.3$  V, the device will be in the standby mode, but the standby current will be greater. The device requires standard access time ( $t_{CE}$ ) for read access when the device is in either of these standby modes, before it is ready to read data.

If the device is deselected during erasure or programming, the device draws active current until the operation is completed.

$I_{CC3}$  and  $I_{CC4}$  represents the standby current specification shown in the table in [DC Characteristics on page 42](#).

## 7.6 Automatic Sleep Mode

The automatic sleep mode minimizes Flash device energy consumption. The device automatically enables this mode when addresses remain stable for  $t_{ACC} + 30$  ns. The automatic sleep mode is independent of the CE#, WE#, and OE# control signals. Standard address access timings provide new data when addresses are changed. While in sleep mode, output data is latched and always available to the system.  $I_{CC4}$  in the [DC Characteristics on page 42](#) represents the automatic sleep mode current specification.

## 7.7 RESET#: Hardware Reset Pin

The RESET# pin provides a hardware method of resetting the device to reading array data. When the system drives the RESET# pin to  $V_{IL}$  for at least a period of  $t_{RP}$ , the device **immediately terminates** any operation in progress, tristates all data output pins, and ignores all read/write attempts for the duration of the RESET# pulse. The device also resets the internal state machine to reading array data. The operation that was interrupted should be reinitiated once the device is ready to accept another command sequence, to ensure data integrity.

Current is reduced for the duration of the RESET# pulse. When RESET# is held at  $V_{SS} \pm 0.3V$ , the device draws CMOS standby current ( $I_{CC4}$ ). If RESET# is held at  $V_{IL}$  but not within  $V_{SS} \pm 0.3/0.1V$ , the standby current will be greater.

The RESET# pin may be tied to the system reset circuitry. A system reset would thus also reset the Flash memory, enabling the system to read the boot-up firmware from the Flash memory. Note that the CE# pin should only go to  $V_{IL}$  after RESET# has gone to  $V_{IH}$ . Keeping CE# at  $V_{IL}$  from power up through the first read could cause the first read to retrieve erroneous data.

If RESET# is asserted during a program or erase operation, the RY/BY# pin remains a 0 (busy) until the internal reset operation is complete, which requires a time of  $t_{READY}$  (during Embedded Algorithms). The system can thus monitor RY/BY# to determine whether the reset operation is complete. If RESET# is asserted when a program or erase operation is not executing (RY/BY# pin is 1), the reset operation is completed within a time of  $t_{READY}$  (not during Embedded Algorithms). The system can read data  $t_{RH}$  after the RESET# pin returns to  $V_{IH}$ .

Refer to the tables in [AC Characteristics on page 44](#) for RESET# parameters and to [Figure 17.2 on page 45](#) for the timing diagram.

## 7.8 Output Disable Mode

When the OE# input is at  $V_{IH}$ , output from the device is disabled. The output pins are placed in the high impedance state.

Table 7.2 Sector Address Tables (Top Boot Device)

Sector	A19	A18	A17	A16	A15	A14	A13	A12	Sector Size (Kbytes/ Kwords)	Address Range (in hexadecimal)	
										Byte Mode (x8)	Word Mode (x16)
SA0	0	0	0	0	0	X	X	X	64/32	000000–00FFFF	00000–07FFF
SA1	0	0	0	0	1	X	X	X	64/32	010000–01FFFF	08000–0FFFF
SA2	0	0	0	1	0	X	X	X	64/32	020000–02FFFF	10000–17FFF
SA3	0	0	0	1	1	X	X	X	64/32	030000–03FFFF	18000–1FFFF
SA4	0	0	1	0	0	X	X	X	64/32	040000–04FFFF	20000–27FFF
SA5	0	0	1	0	1	X	X	X	64/32	050000–05FFFF	28000–2FFFF
SA6	0	0	1	1	0	X	X	X	64/32	060000–06FFFF	30000–37FFF
SA7	0	0	1	1	1	X	X	X	64/32	070000–07FFFF	38000–3FFFF
SA8	0	1	0	0	0	X	X	X	64/32	080000–08FFFF	40000–47FFF
SA9	0	1	0	0	1	X	X	X	64/32	090000–09FFFF	48000–4FFFF
SA10	0	1	0	1	0	X	X	X	64/32	0A0000–0AFFFF	50000–57FFF
SA11	0	1	0	1	1	X	X	X	64/32	0B0000–0BFFFF	58000–5FFFF
SA12	0	1	1	0	0	X	X	X	64/32	0C0000–0CFFFF	60000–67FFF
SA13	0	1	1	0	1	X	X	X	64/32	0D0000–0DFFFF	68000–6FFFF
SA14	0	1	1	1	0	X	X	X	64/32	0E0000–0EFFFF	70000–77FFF
SA15	0	1	1	1	1	X	X	X	64/32	0F0000–0FFFFF	78000–7FFFF
SA16	1	0	0	0	0	X	X	X	64/32	100000–10FFFF	80000–87FFF
SA17	1	0	0	0	1	X	X	X	64/32	110000–11FFFF	88000–8FFFF
SA18	1	0	0	1	0	X	X	X	64/32	120000–12FFFF	90000–97FFF
SA19	1	0	0	1	1	X	X	X	64/32	130000–13FFFF	98000–9FFFF
SA20	1	0	1	0	0	X	X	X	64/32	140000–14FFFF	A0000–A7FFF
SA21	1	0	1	0	1	X	X	X	64/32	150000–15FFFF	A8000–AFFFF
SA22	1	0	1	1	0	X	X	X	64/32	160000–16FFFF	B0000–B7FFF
SA23	1	0	1	1	1	X	X	X	64/32	170000–17FFFF	B8000–BFFFF
SA24	1	1	0	0	0	X	X	X	64/32	180000–18FFFF	C0000–C7FFF
SA25	1	1	0	0	1	X	X	X	64/32	190000–19FFFF	C8000–CFFFF
SA26	1	1	0	1	0	X	X	X	64/32	1A0000–1AFFFF	D0000–D7FFF
SA27	1	1	0	1	1	X	X	X	64/32	1B0000–1BFFFF	D8000–DFFFF
SA28	1	1	1	0	0	X	X	X	64/32	1C0000–1CFFFF	E0000–E7FFF
SA29	1	1	1	0	1	X	X	X	64/32	1D0000–1DFFFF	E8000–EFFFF
SA30	1	1	1	1	0	X	X	X	64/32	1E0000–1EFFFF	F0000–F7FFF
SA31	1	1	1	1	1	0	X	X	32/16	1F0000–1F7FFF	F8000–FBFFF
SA32	1	1	1	1	1	1	0	0	8/4	1F8000–1F9FFF	FC000–FCFFF
SA33	1	1	1	1	1	1	0	1	8/4	1FA000–1FBFFF	FD000–FDFFF
SA34	1	1	1	1	1	1	1	X	16/8	1FC000–1FFFFF	FE000–FFFFF

**Note**

Address range is A19:A-1 in byte mode and A19:A0 in word mode. See [Word/Byte Configuration on page 16](#).

Table 7.3 Secured Silicon Sector Addresses (Top Boot)

Sector Size (bytes/words)	x8 Address Range	x16 Address Range
256/128	1FFF00h–1FFFFFh	FFF80h–FFFFFh

**Table 7.4** Sector Address Tables (Bottom Boot Device)

Sector	A19	A18	A17	A16	A15	A14	A13	A12	Sector Size (Kbytes/ Kwords)	Address Range (in hexadecimal)	
										Byte Mode (x8)	Word Mode (x16)
SA0	0	0	0	0	0	0	0	X	16/8	000000–003FFF	00000–01FFF
SA1	0	0	0	0	0	0	1	0	8/4	004000–005FFF	02000–02FFF
SA2	0	0	0	0	0	0	1	1	8/4	006000–007FFF	03000–03FFF
SA3	0	0	0	0	0	1	X	X	32/16	008000–00FFFF	04000–07FFF
SA4	0	0	0	0	1	X	X	X	64/32	010000–01FFFF	08000–0FFFF
SA5	0	0	0	1	0	X	X	X	64/32	020000–02FFFF	10000–17FFF
SA6	0	0	0	1	1	X	X	X	64/32	030000–03FFFF	18000–1FFFF
SA7	0	0	1	0	0	X	X	X	64/32	040000–04FFFF	20000–27FFF
SA8	0	0	1	0	1	X	X	X	64/32	050000–05FFFF	28000–2FFFF
SA9	0	0	1	1	0	X	X	X	64/32	060000–06FFFF	30000–37FFF
SA10	0	0	1	1	1	X	X	X	64/32	070000–07FFFF	38000–3FFFF
SA11	0	1	0	0	0	X	X	X	64/32	080000–08FFFF	40000–47FFF
SA12	0	1	0	0	1	X	X	X	64/32	090000–09FFFF	48000–4FFFF
SA13	0	1	0	1	0	X	X	X	64/32	0A0000–0AFFFF	50000–57FFF
SA14	0	1	0	1	1	X	X	X	64/32	0B0000–0BFFFF	58000–5FFFF
SA15	0	1	1	0	0	X	X	X	64/32	0C0000–0CFFFF	60000–67FFF
SA16	0	1	1	0	1	X	X	X	64/32	0D0000–0DFFFF	68000–6FFFF
SA17	0	1	1	1	0	X	X	X	64/32	0E0000–0EFFFF	70000–77FFF
SA18	0	1	1	1	1	X	X	X	64/32	0F0000–0FFFFF	78000–7FFFF
SA19	1	0	0	0	0	X	X	X	64/32	100000–10FFFF	80000–87FFF
SA20	1	0	0	0	1	X	X	X	64/32	110000–11FFFF	88000–8FFFF
SA21	1	0	0	1	0	X	X	X	64/32	120000–12FFFF	90000–97FFF
SA22	1	0	0	1	1	X	X	X	64/32	130000–13FFFF	98000–9FFFF
SA23	1	0	1	0	0	X	X	X	64/32	140000–14FFFF	A0000–A7FFF
SA24	1	0	1	0	1	X	X	X	64/32	150000–15FFFF	A8000–AFFFF
SA25	1	0	1	1	0	X	X	X	64/32	160000–16FFFF	B0000–B7FFF
SA26	1	0	1	1	1	X	X	X	64/32	170000–17FFFF	B8000–BFFFF
SA27	1	1	0	0	0	X	X	X	64/32	180000–18FFFF	C0000–C7FFF
SA28	1	1	0	0	1	X	X	X	64/32	190000–19FFFF	C8000–CFFFF
SA29	1	1	0	1	0	X	X	X	64/32	1A0000–1AFFFF	D0000–D7FFF
SA30	1	1	0	1	1	X	X	X	64/32	1B0000–1BFFFF	D8000–DFFFF
SA31	1	1	1	0	0	X	X	X	64/32	1C0000–1CFFFF	E0000–E7FFF
SA32	1	1	1	0	1	X	X	X	64/32	1D0000–1DFFFF	E8000–EFFFF
SA33	1	1	1	1	0	X	X	X	64/32	1E0000–1EFFFF	F0000–F7FFF
SA34	1	1	1	1	1	X	X	X	64/32	1F0000–1FFFFF	F8000–FFFFF

**Note**

Address range is A19:A-1 in byte mode and A19:A0 in word mode. See the [Word/Byte Configuration on page 16](#).

**Table 7.5** Secured Silicon Sector Addresses (Bottom Boot)

Sector Size (bytes/words)	x8 Address Range	x16 Address Range
256/128	000000h–0000FFh	00000h–0007Fh

## 7.9 Autoselect Mode

The autoselect mode provides manufacturer and device identification, and sector group protection verification, through identifier codes output on DQ7–DQ0. This mode is primarily intended for programming equipment to automatically match a device to be programmed with its corresponding programming algorithm. However, the autoselect codes can also be accessed in-system through the command register.

When using programming equipment, the autoselect mode requires  $V_{ID}$  (8.5 V to 12.5 V) on address pin A9. Address pins A6 and A3–A0 must be as shown in [Table 7.6](#). In addition, when verifying sector group protection, the sector address must appear on the appropriate highest order address bits (see [Table 7.2 on page 19](#) and [Table 7.4 on page 20](#)). [Table 7.6](#) shows the remaining address bits that are don't care. When all necessary bits have been set as required, the programming equipment may then read the corresponding identifier code on DQ7–DQ0.

To access the autoselect codes in-system, the host system can issue the autoselect command via the command register, as shown in [Table 10.1 on page 35](#). This method does not require  $V_{ID}$ . See [Command Definitions on page 30](#) for details on using the autoselect mode.

**Table 7.6** S29AL016J Autoselect Codes (High Voltage Method)

Description	Mode	CE#	OE#	WE#	A19 to A10	A9	A8 to A7	A6	A5 to A4	A3 to A2	A1	A0	DQ8 to DQ15	DQ7 to DQ0
Manufacturer ID: Spansion		L	L	H	X	$V_{ID}$	X	L	X	L	L	L	X	01h
Device ID: S29AL016J (Top Boot Block)	Word	L	L	H	X	$V_{ID}$	X	L	X	L	L	H	22h	C4h
	Byte	L	L	H									X	C4h
Device ID: S29AL016J (Bottom Boot Block)	Word	L	L	H	X	$V_{ID}$	X	L	X	L	L	H	22h	49h
	Byte	L	L	H									X	49h
Sector Group Protection Verification		L	L	H	SA	$V_{ID}$	X	L	X	L	H	L	X	01h (protected)
													X	00h (unprotected)
Secured Silicon Sector Indicator Bit (DQ7) Top Boot Block		L	L	H	X	$V_{ID}$	X	L	X	L	H	H	X	8Eh (factory locked) 0Eh (not factory locked)
Secured Silicon Sector Indicator Bit (DQ7) Bottom Boot Block		L	L	H	X	$V_{ID}$	X	L	X	L	H	H	X	96h (factory locked) 16h (not factory locked)

### Legend

L = Logic Low =  $V_{IL}$ ; H = Logic High =  $V_{IH}$ ; SA = Sector Address; X = Don't care

### Note

The autoselect codes may also be accessed in-system via command sequences. See [Table 10.1 on page 35](#).

## 7.10 Sector Group Protection/Unprotection

The hardware sector group protection feature disables both program and erase operations in any sector group (see [Table 7.2 on page 19](#) to [Table 7.4 on page 20](#)). The hardware sector group unprotection feature re-enables both program and erase operations in previously protected sector groups. Sector group protection/unprotection can be implemented via two methods.

Sector protection/unprotection requires  $V_{ID}$  on the RESET# pin only, and can be implemented either in-system or via programming equipment. [Figure 7.2 on page 24](#) shows the algorithms and [Figure 17.12 on page 51](#) shows the timing diagram. This method uses standard microprocessor bus cycle timing. For sector group unprotect, all unprotected sector groups must first be protected prior to the first sector group unprotect write cycle.

The device is shipped with all sector groups unprotected. Spansion offers the option of programming and protecting sector groups at its factory prior to shipping the device through Spansion Programming Service. Contact a Spansion representative for details.

It is possible to determine whether a sector group is protected or unprotected. See [Autoselect Mode on page 21](#) for details.

**Table 7.7** S29AL016J Top Boot Device Sector/Sector Group Protection

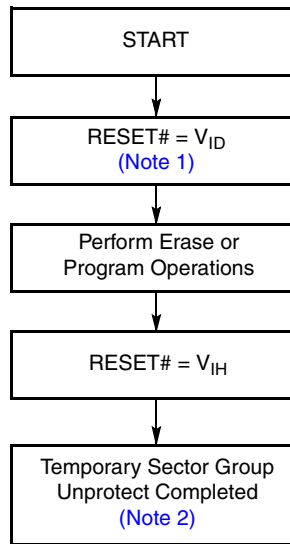
Sector / Sector Block	A19	A18	A17	A16	A15	A14	A13	A12	Sector / Sector Block Size
SA0-SA3	0	0	0	X	X	X	X	X	256 (4x64) Kbytes
SA4-SA7	0	0	1	X	X	X	X	X	256 (4x64) Kbytes
SA8-SA11	0	1	0	X	X	X	X	X	256 (4x64) Kbytes
SA12-SA15	0	1	1	X	X	X	X	X	256 (4x64) Kbytes
SA16-SA19	1	0	0	X	X	X	X	X	256 (4x64) Kbytes
SA20-SA23	1	0	1	X	X	X	X	X	256 (4x64) Kbytes
SA24-SA27	1	1	0	X	X	X	X	X	256 (4x64) Kbytes
SA28-SA29	1	1	1	0	X	X	X	X	128 (2x64) Kbytes
SA30	1	1	1	1	0	X	X	X	64 Kbytes
SA31	1	1	1	1	1	0	X	X	32 Kbytes
SA32	1	1	1	1	1	1	0	0	8 Kbytes
SA33	1	1	1	1	1	1	0	1	8 Kbytes
SA34	1	1	1	1	1	1	1	X	16 Kbytes

**Table 7.8** S29AL016J Bottom Boot Device Sector/Sector Group Protection

Sector / Sector Block	A19	A18	A17	A16	A15	A14	A13	A12	Sector / Sector Block Size
SA0	0	0	0	0	0	0	0	X	16 Kbytes
SA1	0	0	0	0	0	0	1	0	8 Kbytes
SA2	0	0	0	0	0	0	1	1	8 Kbytes
SA3	0	0	0	0	0	1	X	X	32 Kbytes
SA4	0	0	0	0	1	X	X	X	64 (1x64) Kbytes
SA5-SA6	0	0	0	1	X	X	X	X	128 (2x64) Kbytes
SA7-SA10	0	0	1	X	X	X	X	X	256 (4x64) Kbytes
SA11-SA14	0	1	0	X	X	X	X	X	256 (4x64) Kbytes
SA15-SA18	0	1	1	X	X	X	X	X	256 (4x64) Kbytes
SA19-SA22	1	0	0	X	X	X	X	X	256 (4x64) Kbytes
SA23-SA26	1	0	1	X	X	X	X	X	256 (4x64) Kbytes
SA27-SA30	1	1	0	X	X	X	X	X	256 (4x64) Kbytes
SA31-SA34	1	1	1	X	X	X	X	X	256 (4x64) Kbytes

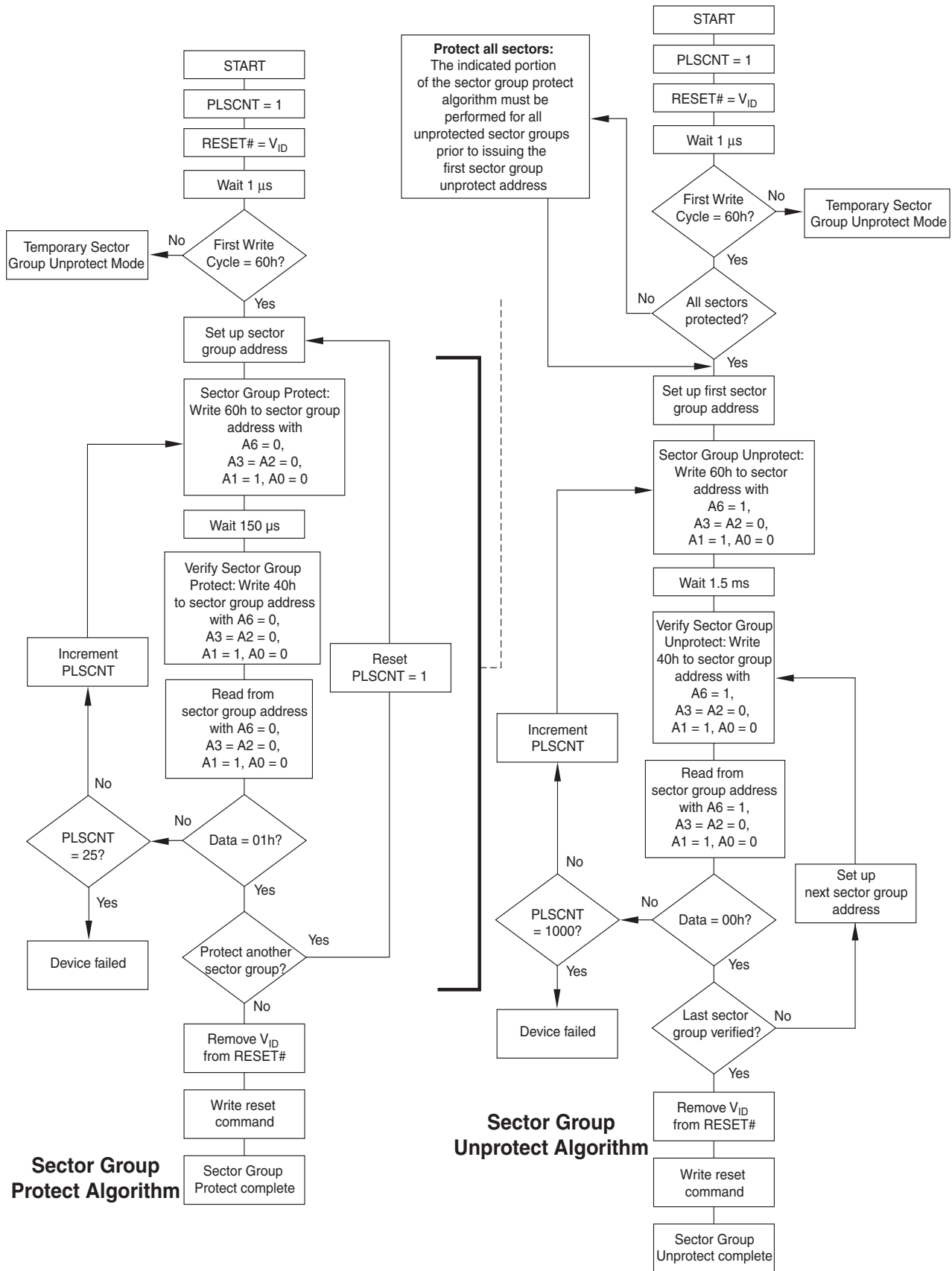
## 7.11 Temporary Sector Group Unprotect

This feature allows temporary unprotection of previously protected sector groups to change data in-system. The Sector Group Unprotect mode is activated by setting the RESET# pin to V<sub>DD</sub>. During this mode, formerly protected sector groups can be programmed or erased by selecting the sector group addresses. Once V<sub>DD</sub> is removed from the RESET# pin, all the previously protected sector groups are protected again. [Figure 7.1](#) shows the algorithm, and [Figure 17.11 on page 51](#) shows the timing diagrams, for this feature.

**Figure 7.1** Temporary Sector Group Unprotect Operation**Notes**

1. All protected sector unprotected. (If WP# = V<sub>IL</sub>, the highest or lowest address sector remains protected for uniform sector devices; the top or bottom two address sectors remains protected for boot sector devices).
2. All previously protected sector groups are protected once again.

Figure 7.2 In-System Sector Group Protect/Unprotect Algorithms





## 8. Secured Silicon Sector Flash Memory Region

The Secured Silicon Sector feature provides a 256-byte Flash memory region that enables permanent part identification through an Electronic Serial Number (ESN). The Secured Silicon Sector uses a Secured Silicon Sector Indicator Bit (DQ7) to indicate whether or not the Secured Silicon Sector is locked when shipped from the factory. This bit is permanently set at the factory and cannot be changed, which prevents cloning of a factory-locked part. This ensures the security of the ESN once the product is shipped to the field.

Spansion offers the device with the Secured Silicon Sector either factory-locked or customer-lockable. The factory-locked version is always protected when shipped from the factory, and has the Secured Silicon Sector Indicator Bit permanently set to a 1. The customer-lockable version is shipped with the Secured Silicon Sector unprotected, allowing customers to utilize the that sector in any manner they choose. The customer-lockable version has the Secured Silicon Sector Indicator Bit permanently set to a 0. Thus, the Secured Silicon Sector Indicator Bit prevents customer-lockable devices from being used to replace devices that are factory locked.

The system accesses the Secured Silicon Sector through a command sequence (see [Enter/Exit Secured Silicon Sector Command Sequence on page 31](#)). After the system writes the Enter Secured Silicon Sector command sequence, it may read the Secured Silicon Sector by using the addresses normally occupied by the boot sectors. This mode of operation continues until the system issues the Exit Secured Silicon Sector command sequence, or until power is removed from the device. On power-up, or following a hardware reset, the device reverts to sending commands to the boot sectors.

### 8.1 Factory Locked: Secured Silicon Sector Programmed and Protected at the Factory

In a factory locked device, the Secured Silicon Sector is protected when the device is shipped from the factory. The Secured Silicon Sector cannot be modified in any way. The device is available pre-programmed with one of the following:

- A random, secure ESN only.
- Customer code through the ExpressFlash service.
- Both a random, secure ESN and customer code through the ExpressFlash service.

In devices that have an ESN, a Bottom Boot device has the 16-byte (8-word) ESN in sector 0 at addresses 00000h–0000Fh in byte mode (or 00000h–00007h in word mode). In the Top Boot device, the ESN is in sector 34 at addresses 1FFFF0h–1FFFFFh in byte mode (or FFFF8h–FFFFFh in word mode).

Customers may opt to have their code programmed by Spansion through the Spansion ExpressFlash service. Spansion programs the customer's code, with or without the random ESN. The devices are then shipped from the Spansion factory with the Secured Silicon Sector permanently locked. Contact a Spansion representative for details on using the Spansion ExpressFlash service.

### 8.2 Customer Lockable: Secured Silicon Sector NOT Programmed or Protected at the Factory

The customer lockable version allows the Secured Silicon Sector to be programmed once, and then permanently locked after it ships from Spansion. Note that the unlock bypass functions is not available when programming the Secured Silicon Sector.

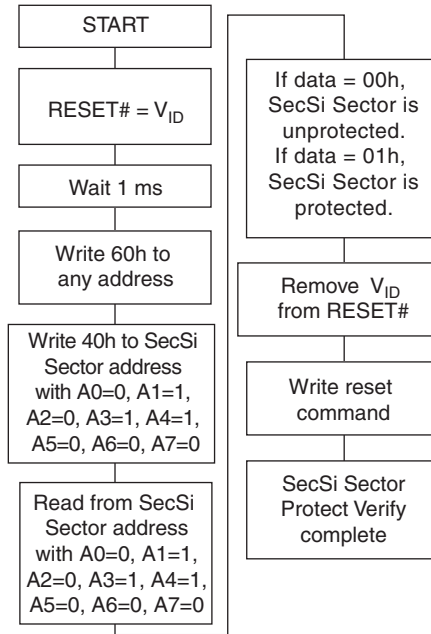
The Secured Silicon Sector area can be protected using the following procedures:

- Write the three-cycle Enter Secured Silicon Region command sequence, and then follow the in-system sector group protect algorithm as shown in [Figure 7.2 on page 24](#), substituting the sector group address with the Secured Silicon Sector group address (A0=0, A1=1, A2=0, A3=1, A4=1, A5=0, A6=0, A7=0). Note that this method is only applicable to the Secured Silicon Sector.
- To verify the protect/unprotect status of the Secured Silicon Sector, follow the algorithm shown in [Figure 8.1 on page 26](#).

Once the Secured Silicon Sector is locked and verified, the system must write the Exit Secured Silicon Sector Region command sequence to return to reading and writing the remainder of the array.

The Secured Silicon Sector protection must be used with caution since, once protected, there is no procedure available for unprotecting the Secured Silicon Sector area, and none of the bits in the Secured Silicon Sector memory space can be modified in any way.

**Figure 8.1** Secured Silicon Sector Protect Verify



## 9. Common Flash Memory Interface (CFI)

The Common Flash Interface (CFI) specification outlines device and host system software interrogation handshake, which allows specific vendor-specified software algorithms to be used for entire families of devices. Software support can then be device-independent, JEDEC ID-independent, and forward- and backward-compatible for the specified flash device families. Flash vendors can standardize their existing interfaces for long-term compatibility.

This device enters the CFI Query mode when the system writes the CFI Query command, 98h, to address 55h in word mode (or address AAh in byte mode), any time the device is ready to read array data. The system can read CFI information at the addresses given in [Table 9.1](#) to [Table 9.4](#) on page 28. In word mode, the upper address bits (A7–MSB) must be all zeros. To terminate reading CFI data, the system must write the reset command.

The system can also write the CFI query command when the device is in the autoselect mode. The device enters the CFI query mode, and the system can read CFI data at the addresses given in [Table 9.1](#) to [Table 9.4](#) on page 28. The system must write the reset command to return the device to the autoselect mode.

**Table 9.1** CFI Query Identification String

Addresses (Word Mode)	Addresses (Byte Mode)	Data	Description
10h 11h 12h	20h 22h 24h	0051h 0052h 0059h	Query Unique ASCII string "QRY"
13h 14h	26h 28h	0002h 0000h	Primary OEM Command Set
15h 16h	2Ah 2Ch	0040h 0000h	Address for Primary Extended Table
17h 18h	2Eh 30h	0000h 0000h	Alternate OEM Command Set (00h = none exists)
19h 1Ah	32h 34h	0000h 0000h	Address for Alternate OEM Extended Table (00h = none exists)

**Table 9.2** System Interface String

Addresses (Word Mode)	Addresses (Byte Mode)	Data	Description
1Bh	36h	0027h	V <sub>CC</sub> Min. (write/erase) D7–D4: volt, D3–D0: 100 millivolt
1Ch	38h	0036h	V <sub>CC</sub> Max. (write/erase) D7–D4: volt, D3–D0: 100 millivolt
1Dh	3Ah	0000h	V <sub>PP</sub> Min. voltage (00h = no V <sub>PP</sub> pin present)
1Eh	3Ch	0000h	V <sub>PP</sub> Max. voltage (00h = no V <sub>PP</sub> pin present)
1Fh	3Eh	0003h	Typical timeout per single byte/word write 2 <sup>N</sup> μs
20h	40h	0000h	Typical timeout for Min. size buffer write 2 <sup>N</sup> μs (00h = not supported)
21h	42h	0009h	Typical timeout per individual block erase 2 <sup>N</sup> ms
22h	44h	0000h	Typical timeout for full chip erase 2 <sup>N</sup> ms (00h = not supported)
23h	46h	0005h	Max. timeout for byte/word write 2 <sup>N</sup> times typical
24h	48h	0000h	Max. timeout for buffer write 2 <sup>N</sup> times typical
25h	4Ah	0004h	Max. timeout per individual block erase 2 <sup>N</sup> times typical
26h	4Ch	0000h	Max. timeout for full chip erase 2 <sup>N</sup> times typical (00h = not supported)

**Table 9.3** Device Geometry Definition

Addresses (Word Mode)	Addresses (Byte Mode)	Data	Description
27h	4Eh	0015h	Device Size = 2 <sup>N</sup> byte
28h 29h	50h 52h	0002h 0000h	Flash Device Interface description (refer to CFI publication 100)
2Ah 2Bh	54h 56h	0000h 0000h	Max. number of byte in multi-byte write = 2 <sup>N</sup> (00h = not supported)
2Ch	58h	0004h	Number of Erase Block Regions within device
2Dh 2Eh 2Fh 30h	5Ah 5Ch 5Eh 60h	0000h 0000h 0040h 0000h	Erase Block Region 1 Information (refer to the CFI specification or CFI publication 100)
31h 32h 33h 34h	62h 64h 66h 68h	0001h 0000h 0020h 0000h	Erase Block Region 2 Information
35h 36h 37h 38h	6Ah 6Ch 6Eh 70h	0000h 0000h 0080h 0000h	Erase Block Region 3 Information
39h 3Ah 3Bh 3Ch	72h 74h 76h 78h	001Eh 0000h 0000h 0001h	Erase Block Region 4 Information

**Table 9.4** Primary Vendor-Specific Extended Query (Sheet 1 of 2)

Addresses (Word Mode)	Addresses (Byte Mode)	Data	Description
40h 41h 42h	80h 82h 84h	0050h 0052h 0049h	Query-unique ASCII string "PRI"
43h	86h	0031h	Major version number, ASCII
44h	88h	0033h	Minor version number, ASCII
45h	8Ah	000Ch	Address Sensitive Unlock 0 = Required, 1 = Not Required Process Technology (Bits 5-2) 0011b = 0.11 μm Floating Gate NOR
46h	8Ch	0002h	Erase Suspend 0 = Not Supported, 1 = To Read Only, 2 = To Read & Write
47h	8Eh	0001h	Sector Group Protect 0 = Not Supported, X= Number of sectors in smallest sector group
48h	90h	0001h	Sector Group Temporary Unprotect 00 = Not Supported, 01 = Supported
49h	92h	0004h	Sector Group Protect/Unprotect scheme 01 = 29F040 mode, 02 = 29F016 mode, 03 = 29F400 mode, 04 = 29LV800A mode
4Ah	94h	0000h	Simultaneous Operation 00 = Not Supported, 01 = Supported
4Bh	96h	0000h	Burst Mode Type 00 = Not Supported, 01 = Supported
4Ch	98h	0000h	Page Mode Type 00 = Not Supported, 01 = 4 Word Page, 02 = 8 Word Page
4Dh	9Ah	0000h	ACC (Acceleration) Supply Minimum 00 = Not Supported, D7-D4: Volt, D3-D0: 100mV
4Eh	9Ch	0000h	ACC (Acceleration) Supply Maximum 00 = Not Supported, D7-D4: Volt, D3-D0: 100mV

Table 9.4 Primary Vendor-Specific Extended Query (Sheet 2 of 2)

Addresses (Word Mode)	Addresses (Byte Mode)	Data	Description
4Fh	9Eh	00XXh	WP# Protection 00 = Uniform Device without WP Protect 01 = Boot Device with TOP and Bottom WP Protect 02 = Bottom Boot Device with WP Protect 03 = Top Boot Device with WP Protect 04 = Uniform Device with Bottom WP Protect 05 = Uniform Device with Top WP Protect 06 = Uniform Device with All Sectors WP Protect
50h	A0h	00XXh	Program Suspend 00 = Not Supported, 01 = Supported

## 9.1 Hardware Data Protection

The command sequence requirement of unlock cycles for programming or erasing provides data protection against inadvertent writes (refer to [Table 10.1 on page 35](#) for command definitions). In addition, the following hardware data protection measures prevent accidental erasure or programming, which might otherwise be caused by spurious system level signals during  $V_{CC}$  power-up and power-down transitions, or from system noise.

### 9.1.1 Low $V_{CC}$ Write Inhibit

When  $V_{CC}$  is less than  $V_{LKO}$ , the device does not accept any write cycles. This protects data during  $V_{CC}$  power-up and power-down. The command register and all internal program/erase circuits are disabled, and the device resets. Subsequent writes are ignored until  $V_{CC}$  is greater than  $V_{LKO}$ . The system must provide the proper signals to the control pins to prevent unintentional writes when  $V_{CC}$  is greater than  $V_{LKO}$ .

### 9.1.2 Write Pulse *Glitch* Protection

Noise pulses of less than 5 ns (typical) on OE#, CE# or WE# do not initiate a write cycle.

### 9.1.3 Logical Inhibit

Write cycles are inhibited by holding any one of OE# =  $V_{IL}$ , CE# =  $V_{IH}$  or WE# =  $V_{IH}$ . To initiate a write cycle, CE# and WE# must be a logical zero while OE# is a logical one.

### 9.1.4 Power-Up Write Inhibit

If WE# = CE# =  $V_{IL}$  and OE# =  $V_{IH}$  during power up, the device does not accept commands on the rising edge of WE#. The internal state machine is automatically reset to reading array data on power-up.

## 10. Command Definitions

Writing specific address and data commands or sequences into the command register initiates device operations. [Table 10.1 on page 35](#) defines the valid register command sequences. Writing **incorrect address and data values** or writing them in the **improper sequence** resets the device to reading array data.

All addresses are latched on the falling edge of WE# or CE#, whichever happens later. All data is latched on the rising edge of WE# or CE#, whichever happens first. Refer to the appropriate timing diagrams in [AC Characteristics on page 44](#).

### 10.1 Reading Array Data

The device is automatically set to reading array data after device power-up. No commands are required to retrieve data. The device is also ready to read array data after completing an Embedded Program or Embedded Erase algorithm.

After the device accepts an Erase Suspend command, the device enters the Erase Suspend mode. The system can read array data using the standard read timings, except that if it reads at an address within erase-suspended sectors, the device outputs status data. After completing a programming operation in the Erase Suspend mode, the system may once again read array data with the same exception. See [Erase Suspend/ Erase Resume Commands on page 33](#) for more information on this mode.

The system *must* issue the reset command to re-enable the device for reading array data if DQ5 goes high, or while in the autoselect mode. See [Reset Command on page 30](#).

See also [Requirements for Reading Array Data on page 16](#) for more information. The [Read Operations on page 44](#) provides the read parameters, and [Figure 17.1 on page 44](#) shows the timing diagram.

### 10.2 Reset Command

Writing the reset command to the device resets the device to reading array data. Address bits are don't care for this command.

The reset command may be written between the sequence cycles in an erase command sequence before erasing begins. This resets the device to reading array data. Once erasure begins, however, the device ignores reset commands until the operation is complete.

The reset command may be written between the sequence cycles in a program command sequence before programming begins. This resets the device to reading array data (also applies to programming in Erase Suspend mode). Once programming begins, however, the device ignores reset commands until the operation is complete.

The reset command may be written between the sequence cycles in an autoselect command sequence. Once in the autoselect mode, the reset command *must* be written to return to reading array data (also applies to autoselect during Erase Suspend).

If DQ5 goes high during a program or erase operation, writing the reset command returns the device to reading array data (also applies during Erase Suspend).

### 10.3 Autoselect Command Sequence

The autoselect command sequence allows the host system to access the manufacturer and device codes, and determine whether or not a sector is protected. [Table 10.1 on page 35](#) shows the address and data requirements. This method is an alternative to that shown in [Table 7.6 on page 21](#), which is intended for PROM programmers and requires V<sub>ID</sub> on address bit A9.

The autoselect command sequence is initiated by writing two unlock cycles, followed by the autoselect command. The device then enters the autoselect mode, and the system may read at any address any number of times, without initiating another command sequence.

A read cycle at address XX00h retrieves the manufacturer code. A read cycle at address XX01h returns the device code. A read cycle containing a sector address (SA) and the address 02h in word mode (or 04h in byte mode) returns 01h if that sector is protected, or 00h if it is unprotected. Refer to [Table 7.2 on page 19](#) and [Table 7.4 on page 20](#) for valid sector addresses.

The system must write the reset command to exit the autoselect mode and return to reading array data.

## 10.4 Enter/Exit Secured Silicon Sector Command Sequence

The Secured Silicon Sector region provides a secured data area containing a random, sixteen-byte electronic serial number (ESN). The system can access the Secured Silicon Sector region by issuing the three-cycle Enter Secured Silicon Sector command sequence. The device continues to access the Secured Silicon Sector region until the system issues the four-cycle Exit Secured Silicon Sector command sequence. The Exit Secured Silicon Sector command sequence returns the device to normal operation. [Table 10.1 on page 35](#) shows the addresses and data requirements for both command sequences. Note that the unlock bypass mode is not available when the device enters the Secured Silicon Sector. See also [Secured Silicon Sector Flash Memory Region on page 25](#) for further information.

## 10.5 Word/Byte Program Command Sequence

The system may program the device by word or byte, depending on the state of the BYTE# pin. Programming is a four-bus-cycle operation. The program command sequence is initiated by writing two unlock write cycles, followed by the program set-up command. The program address and data are written next, which in turn initiate the Embedded Program algorithm. The system is *not* required to provide further controls or timings. The device automatically generates the program pulses and verifies the programmed cell margin. [Table 10.1 on page 35](#) shows the address and data requirements for the byte program command sequence.

When the Embedded Program algorithm is complete, the device then returns to reading array data and addresses are no longer latched. The system can determine the status of the program operation by using DQ7, DQ6, or RY/BY#. See [Write Operation Status on page 36](#) for information on these status bits.

Any commands written to the device during the Embedded Program Algorithm are ignored. Note that a **hardware reset** immediately terminates the programming operation. The Byte Program command sequence should be reinitiated once the device has reset to reading array data, to ensure data integrity.

Programming is allowed in any sequence and across sector boundaries. **A bit cannot be programmed from a 0 back to a 1.** Attempting to do so may halt the operation and set DQ5 to 1, or cause the Data# Polling algorithm to indicate the operation was successful. However, a succeeding read will show that the data is still 0. Only erase operations can convert a 0 to a 1.

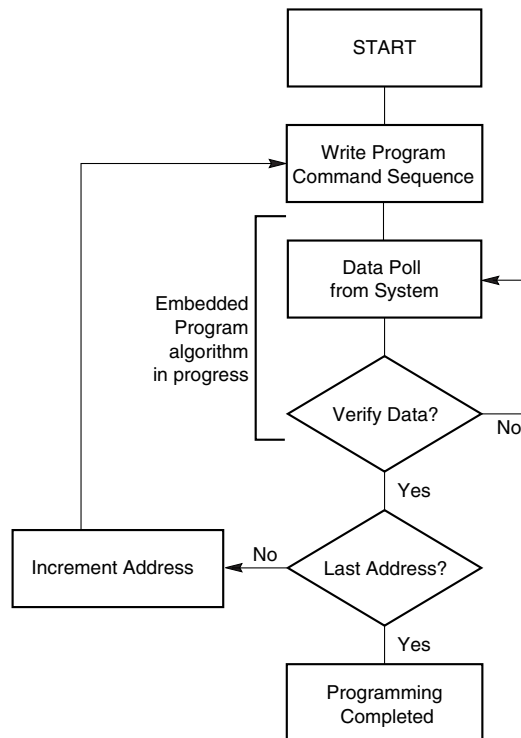
## 10.6 Unlock Bypass Command Sequence

The unlock bypass feature allows the system to program bytes or words to the device faster than using the standard program command sequence. The unlock bypass command sequence is initiated by first writing two unlock cycles. This is followed by a third write cycle containing the unlock bypass command, 20h. The device then enters the unlock bypass mode. A two-cycle unlock bypass program command sequence is all that is required to program in this mode. The first cycle in this sequence contains the unlock bypass program command, A0h; the second cycle contains the program address and data. Additional data is programmed in the same manner. This mode dispenses with the initial two unlock cycles required in the standard program command sequence, resulting in faster total programming time. [Table 10.1 on page 35](#) shows the requirements for the command sequence.

During the unlock bypass mode, only the Unlock Bypass Program and Unlock Bypass Reset commands are valid. To exit the unlock bypass mode, the system must issue the two-cycle unlock bypass reset command sequence. The first cycle must contain the data 90h; the second cycle the data 00h. Addresses are don't care for both cycles. The device then returns to reading array data.

[Figure 10.1 on page 32](#) illustrates the algorithm for the program operation. See [Erase/Program Operations on page 47](#) for parameters, and to [Figure 17.5 on page 47](#) for timing diagrams.

Figure 10.1 Program Operation



**Note**  
See [Table 10.1 on page 35](#) for program command sequence.

## 10.7 Chip Erase Command Sequence

Chip erase is a six bus cycle operation. The chip erase command sequence is initiated by writing two unlock cycles, followed by a set-up command. Two additional unlock write cycles are then followed by the chip erase command, which in turn invokes the Embedded Erase algorithm. The device does *not* require the system to preprogram prior to erase. The Embedded Erase algorithm automatically preprograms and verifies the entire memory for an all zero data pattern prior to electrical erase. The system is not required to provide any controls or timings during these operations. [Table 10.1 on page 35](#) shows the address and data requirements for the chip erase command sequence.

Any commands written to the chip during the Embedded Erase algorithm are ignored. Note that a **hardware reset** during the chip erase operation immediately terminates the operation. The Chip Erase command sequence should be reinitiated once the device has returned to reading array data, to ensure data integrity.

The system can determine the status of the erase operation by using DQ7, DQ6, DQ2, or RY/BY#. See [Write Operation Status on page 36](#) for information on these status bits. When the Embedded Erase algorithm is complete, the device returns to reading array data and addresses are no longer latched.

[Figure 10.2 on page 34](#) illustrates the algorithm for the erase operation. See [Erase/Program Operations on page 47](#) for parameters, and [Figure 17.6 on page 48](#) for timing diagrams.



## 10.8 Sector Erase Command Sequence

Sector erase is a six bus cycle operation. The sector erase command sequence is initiated by writing two unlock cycles, followed by a set-up command. Two additional unlock write cycles are then followed by the address of the sector to be erased, and the sector erase command. [Table 10.1 on page 35](#) shows the address and data requirements for the sector erase command sequence.

The device does *not* require the system to preprogram the memory prior to erase. The Embedded Erase algorithm automatically programs and verifies the sector for an all zero data pattern prior to electrical erase. The system is not required to provide any controls or timings during these operations.

After the command sequence is written, a sector erase time-out of 50  $\mu\text{s}$  begins. During the time-out period, additional sector addresses and sector erase commands may be written. However, these additional erase commands are only one bus cycle long and should be identical to the sixth cycle of the standard erase command explained above. Loading the sector erase buffer may be done in any sequence, and the number of sectors may be from one sector to all sectors. The time between these additional cycles must be less than 50  $\mu\text{s}$ , otherwise the last address and command might not be accepted, and erasure may begin. It is recommended that processor interrupts be disabled during this time to ensure all commands are accepted. The interrupts can be re-enabled after the last Sector Erase command is written. If the time between additional sector erase commands can be assumed to be less than 50  $\mu\text{s}$ , the system need not monitor DQ3. **Any command other than Sector Erase or Erase Suspend during the time-out period resets the device to reading array data.** The system must rewrite the command sequence and any additional sector addresses and commands.

The system can monitor DQ3 to determine if the sector erase timer has timed out. (See [DQ3: Sector Erase Timer on page 40](#).) The time-out begins from the rising edge of the final WE# pulse in the command sequence.

Once the sector erase operation has begun, only the Erase Suspend command is valid. All other commands are ignored. Note that a **hardware reset** during the sector erase operation immediately terminates the operation. The Sector Erase command sequence should be reinitiated once the device has returned to reading array data, to ensure data integrity.

When the Embedded Erase algorithm is complete, the device returns to reading array data and addresses are no longer latched. The system can determine the status of the erase operation by using DQ7, DQ6, DQ2, or RY/BY#. (Refer to [Write Operation Status on page 36](#) for information on these status bits.)

[Figure 10.2 on page 34](#) illustrates the algorithm for the erase operation. Refer to [Erase/Program Operations on page 47](#) for parameters, and to [Figure 17.6 on page 48](#) for timing diagrams.

## 10.9 Erase Suspend/Erase Resume Commands

The Erase Suspend command allows the system to interrupt a sector erase operation and then read data from, or program data to, any sector not selected for erasure. This command is valid only during the sector erase operation, including the 50  $\mu\text{s}$  time-out period during the sector erase command sequence. The Erase Suspend command is ignored if written during the chip erase operation or Embedded Program algorithm. Writing the Erase Suspend command during the Sector Erase time-out immediately terminates the time-out period and suspends the erase operation. Addresses are *don't-cares* when writing the Erase Suspend command.

When the Erase Suspend command is written during a sector erase operation, the device requires a maximum of 35  $\mu\text{s}$  to suspend the erase operation. However, when the Erase Suspend command is written during the sector erase time-out, the device immediately terminates the time-out period and suspends the erase operation.

After the erase operation has been suspended, the system can read array data from or program data to any sector not selected for erasure. (The device “erase suspends” all sectors selected for erasure.) Normal read and write timings and command definitions apply. Reading at any address within erase-suspended sectors produces status data on DQ7–DQ0. The system can use DQ7, or DQ6 and DQ2 together, to determine if a sector is actively erasing or is erase-suspended. See [Write Operation Status on page 36](#) for information on these status bits.

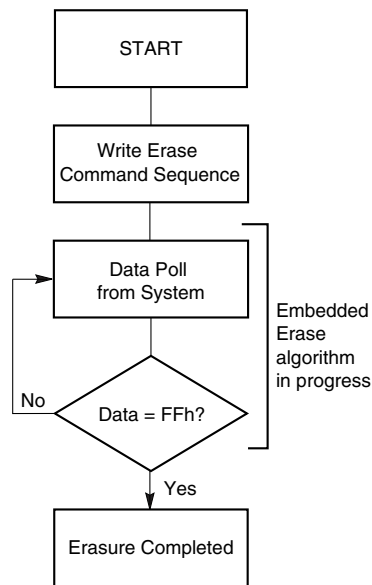
After an erase-suspended program operation is complete, the system can once again read array data within non-suspended sectors. The system can determine the status of the program operation using the DQ7 or

DQ6 status bits, just as in the standard program operation. See [Write Operation Status on page 36](#) for more information.

The system may also write the autoselect command sequence when the device is in the Erase Suspend mode. The device allows reading autoselect codes even at addresses within erasing sectors, since the codes are not stored in the memory array. When the device exits the autoselect mode, the device reverts to the Erase Suspend mode, and is ready for another valid operation. See [Autoselect Command Sequence on page 30](#) for more information.

The system must write the Erase Resume command (address bits are *don't care*) to exit the erase suspend mode and continue the sector erase operation. Further writes of the Resume command are ignored. Another Erase Suspend command can be written after the device has resumed erasing.

**Figure 10.2** Erase Operation



**Notes**

1. See [Table 10.1 on page 35](#) for erase command sequence.
2. See [DQ3: Sector Erase Timer on page 40](#) for more information.

## 10.10 Command Definitions Table

Table 10.1 S29AL016J Command Definitions

Command Sequence (Note 1)			Cycles	Bus Cycles (Notes 2–5)												
				First		Second		Third		Fourth		Fifth		Sixth		
				Addr	Data	Addr	Data	Addr	Data	Addr	Data	Addr	Data	Addr	Data	
Read (Note 6)			1	RA	RD											
Reset (Note 7)			1	XXX	F0											
Autoselect (Note 8)	Manufacturer ID	Word	4	555	AA	2AA	55	555	90	X00	01					
		Byte	4	AAA		555		AAA								
	Device ID, Top Boot Block	Word	4	555	AA	2AA	55	555	90	X01	22C4					
		Byte	4	AAA		555		AAA		X02	C4					
	Device ID, Bottom Boot Block	Word	4	555	AA	2AA	55	555	90	X01	2249					
		Byte	4	AAA		555		AAA		X02	49					
	Sector Group Protect Verify (Note 9)	Word	4	555	AA	2AA	55	555	90	(SA) X02	XX00 XX01					
		Byte	4	AAA		555		AAA		(SA) X04	00 01					
Enter Secured Silicon Sector		Word	3	555	AA	2AA	55	555	88							
		Byte	3	AAA		555		AAA								
Exit Secured Silicon Sector		Word	4	555	AA	2AA	55	555	90	XXX	00					
		Byte	4	AAA		555		AAA								
CFI Query (Note 10)		Word	1	55	98											
		Byte	1	AA												
Program		Word	4	555	AA	2AA	55	555	A0	PA	PD					
		Byte	4	AAA		555		AAA								
Unlock Bypass		Word	3	555	AA	2AA	55	555	20							
		Byte	3	AAA		555		AAA								
Unlock Bypass Program (Note 11)			2	XXX	A0	PA	PD									
Unlock Bypass Reset (Note 12)			2	XXX	90	XXX	00									
Chip Erase	Word	6	555	AA	2AA	55	555	80	555	AA	2AA	55	555	10		
	Byte	6	AAA		555		AAA		AAA		555		AAA			
Sector Erase (Note 15)	Word	6	555	AA	2AA	55	555	80	555	AA	2AA	55	SA	30		
	Byte	6	AAA		555		AAA		AAA		555					
Erase Suspend (Note 13)			1	XXX	B0											
Erase Resume (Note 14)			1	XXX	30											

### Legend

X = Don't care

RA = Address of the memory location to be read

RD = Data read from location RA during read operation.

PA = Address of the memory location to be programmed. Addresses latch on the falling edge of the WE# or CE# pulse, whichever happens later.

PD = Data to be programmed at location PA. Data latches on the rising edge of WE# or CE# pulse, whichever happens first.

SA = Address of the sector to be verified (in autoselect mode) or erased.

Address bits A19–A12 uniquely select any sector.

### Notes

1. See Table 7.1 on page 16 for description of bus operations.

2. All values are in hexadecimal.

3. Except for the read cycle and the fourth cycle of the autoselect command sequence, all bus cycles are write cycles.

4. Data bits DQ15–DQ8 are don't cares for unlock and command cycles.

5. Address bits A19–A11 are don't cares for unlock and command cycles, unless SA or PA required.

6. No unlock or command cycles required when reading array data.

7. The Reset command is required to return to reading array data when device is in the autoselect mode, or if DQ5 goes high (while the device is providing status data).

8. The fourth cycle of the autoselect command sequence is a read cycle.

9. The data is 00h for an unprotected sector and 01h for a protected sector. See "Autoselect Command Sequence" for more information.

10. Command is valid when device is ready to read array data or when device is in autoselect mode.

11. The Unlock Bypass command is required prior to the Unlock Bypass Program command.

12. The Unlock Bypass Reset command is required to return to reading array data when the device is in the unlock bypass mode. F0 is also acceptable.

13. The system may read and program in non-erasing sectors, or enter the autoselect mode, when in the Erase Suspend mode. The Erase Suspend command is valid only during a sector erase operation.

14. The Erase Resume command is valid only during the Erase Suspend mode.

15. Additional sector erase commands during the time-out period after an initial sector erase are one cycle long and identical to the sixth cycle of the sector erase command sequence (SA / 30).

## 11. Write Operation Status

The device provides several bits to determine the status of a write operation: DQ2, DQ3, DQ5, DQ6, DQ7, and RY/BY#. [Table 11.1 on page 40](#) and the following subsections describe the functions of these bits. DQ7, RY/BY#, and DQ6 each offer a method for determining whether a program or erase operation is complete or in progress. These three bits are discussed first.

### 11.1 DQ7: Data# Polling

The Data# Polling bit, DQ7, indicates to the host system whether an Embedded Algorithm is in progress or completed, or whether the device is in Erase Suspend. Data# Polling is valid after the rising edge of the final WE# pulse in the program or erase command sequence.

During the Embedded Program algorithm, the device outputs on DQ7 the complement of the datum programmed to DQ7. This DQ7 status also applies to programming during Erase Suspend. When the Embedded Program algorithm is complete, the device outputs the datum programmed to DQ7. The system must provide the program address to read valid status information on DQ7. If a program address falls within a protected sector, Data# Polling on DQ7 is active for approximately 1  $\mu$ s, then the device returns to reading array data.

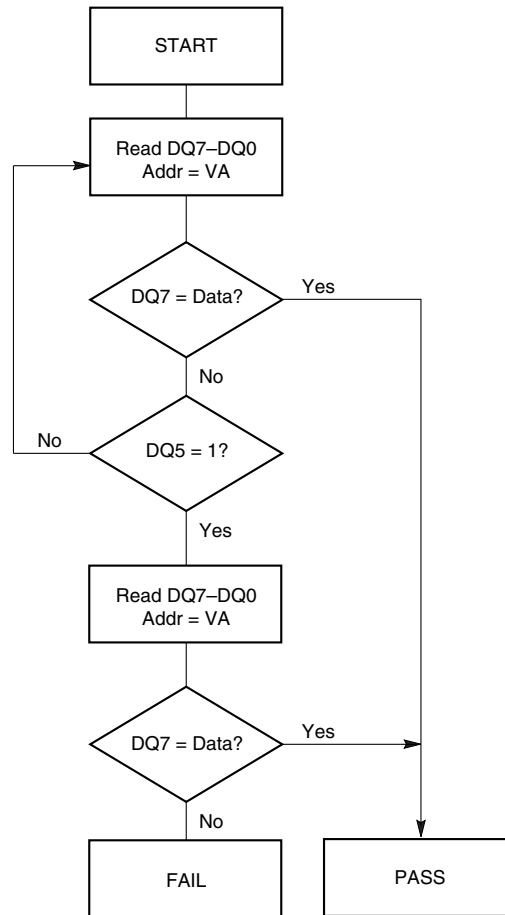
During the Embedded Erase algorithm, Data# Polling produces a 0 on DQ7. When the Embedded Erase algorithm is complete, or if the device enters the Erase Suspend mode, Data# Polling produces a 1 on DQ7. This is analogous to the complement/true datum output described for the Embedded Program algorithm: the erase function changes all the bits in a sector to 1; prior to this, the device outputs the *complement*, or 0. The system must provide an address within any of the sectors selected for erasure to read valid status information on DQ7.

After an erase command sequence is written, if all sectors selected for erasing are protected, Data# Polling on DQ7 is active for approximately 100  $\mu$ s, then the device returns to reading array data. If not all selected sectors are protected, the Embedded Erase algorithm erases the unprotected sectors, and ignores the selected sectors that are protected.

When the system detects DQ7 has changed from the complement to true data, it can read valid data at DQ7–DQ0 on the *following* read cycles. This is because DQ7 may change asynchronously with DQ0–DQ6 while Output Enable (OE#) is asserted low. [Figure 17.8 on page 49](#), illustrates this.

[Table 11.1 on page 40](#) shows the outputs for Data# Polling on DQ7. [Figure 11.2 on page 39](#) shows the Data# Polling algorithm.

Figure 11.1 Data# Polling Algorithm

**Notes**

1. VA = Valid address for programming. During a sector erase operation, a valid address is an address within any sector selected for erasure. During chip erase, a valid address is any non-protected sector address.
2. DQ7 should be rechecked even if DQ5 = 1 because DQ7 may change simultaneously with DQ5.

## 11.2 RY/BY#: Ready/Busy#

The RY/BY# is a dedicated, open-drain output pin that indicates whether an Embedded Algorithm is in progress or complete. The RY/BY# status is valid after the rising edge of the final WE# pulse in the command sequence. Since RY/BY# is an open-drain output, several RY/BY# pins can be tied together in parallel with a pull-up resistor to  $V_{CC}$ .

If the output is low (Busy), the device is actively erasing or programming. (This includes programming in the Erase Suspend mode.) If the output is high (Ready), the device is ready to read array data (including during the Erase Suspend mode), or is in the standby mode.

Table 11.1 on page 40 shows the outputs for RY/BY#. Figures [Figure 17.1 on page 44](#), [Figure 17.2 on page 45](#), [Figure 17.5 on page 47](#) and [Figure 17.6 on page 48](#) shows RY/BY# for read, reset, program, and erase operations, respectively.

### 11.3 DQ6: Toggle Bit I

Toggle Bit I on DQ6 indicates whether an Embedded Program or Erase algorithm is in progress or complete, or whether the device has entered the Erase Suspend mode. Toggle Bit I may be read at any address, and is valid after the rising edge of the final WE# pulse in the command sequence (prior to the program or erase operation), and during the sector erase time-out.

During an Embedded Program or Erase algorithm operation, successive read cycles to any address cause DQ6 to toggle. (The system may use either OE# or CE# to control the read cycles.) When the operation is complete, DQ6 stops toggling.

After an erase command sequence is written, if all sectors selected for erasing are protected, DQ6 toggles for approximately 100  $\mu$ s, then returns to reading array data. If not all selected sectors are protected, the Embedded Erase algorithm erases the unprotected sectors, and ignores the selected sectors that are protected.

The system can use DQ6 and DQ2 together to determine whether a sector is actively erasing or is erase-suspended. When the device is actively erasing (that is, the Embedded Erase algorithm is in progress), DQ6 toggles. When the device enters the Erase Suspend mode, DQ6 stops toggling. However, the system must also use DQ2 to determine which sectors are erasing or erase-suspended. Alternatively, the system can use DQ7 (see [DQ7: Data# Polling on page 36](#)).

If a program address falls within a protected sector, DQ6 toggles for approximately 1  $\mu$ s after the program command sequence is written, then returns to reading array data.

DQ6 also toggles during the erase-suspend-program mode, and stops toggling once the Embedded Program algorithm is complete.

[Table 11.1 on page 40](#) shows the outputs for Toggle Bit I on DQ6. [Figure 11.2 on page 39](#) shows the toggle bit algorithm in flowchart form, and [Reading Toggle Bits DQ6/DQ2 on page 39](#) explains the algorithm.

[Figure 17.9 on page 49](#) shows the toggle bit timing diagrams. [Figure 17.10 on page 50](#) shows the differences between DQ2 and DQ6 in graphical form. See also the subsection on [DQ2: Toggle Bit II on page 38](#).

### 11.4 DQ2: Toggle Bit II

The “Toggle Bit II” on DQ2, when used with DQ6, indicates whether a particular sector is actively erasing (that is, the Embedded Erase algorithm is in progress), or whether that sector is erase-suspended. Toggle Bit II is valid after the rising edge of the final WE# pulse in the command sequence.

DQ2 toggles when the system reads at addresses within those sectors that have been selected for erasure. (The system may use either OE# or CE# to control the read cycles.) But DQ2 cannot distinguish whether the sector is actively erasing or is erase-suspended. DQ6, by comparison, indicates whether the device is actively erasing, or is in Erase Suspend, but cannot distinguish which sectors are selected for erasure. Thus, both status bits are required for sector and mode information. Refer to [Table 11.1 on page 40](#) to compare outputs for DQ2 and DQ6.

[Figure 11.2 on page 39](#) shows the toggle bit algorithm in flowchart form, and the section [Reading Toggle Bits DQ6/DQ2 on page 39](#) explains the algorithm. See also the [DQ6: Toggle Bit I on page 38](#) subsection.

[Figure 17.9 on page 49](#) shows the toggle bit timing diagram. [Figure 17.10 on page 50](#) shows the differences between DQ2 and DQ6 in graphical form.

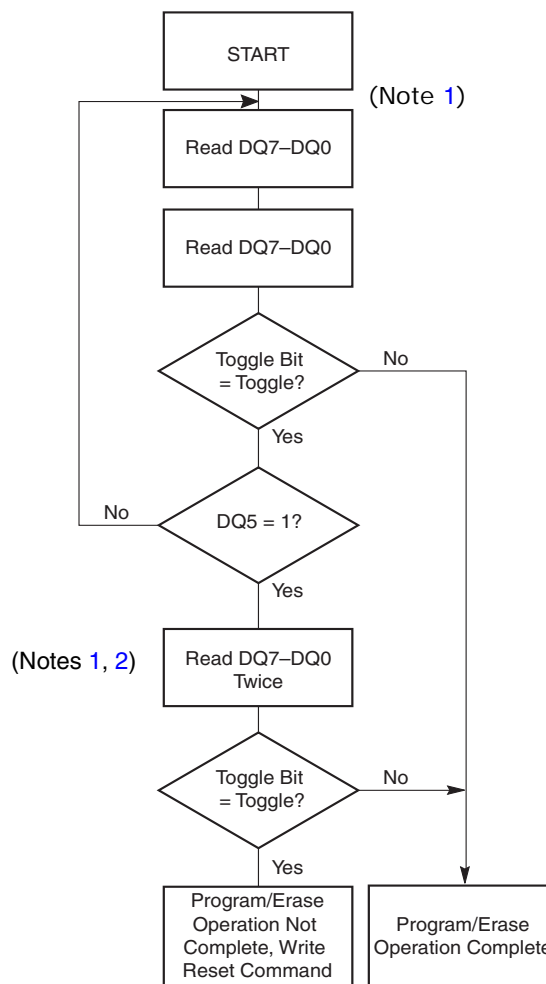
## 11.5 Reading Toggle Bits DQ6/DQ2

Refer to [Figure 11.2 on page 39](#) for the following discussion. Whenever the system initially begins reading toggle bit status, it must read DQ7–DQ0 at least twice in a row to determine whether a toggle bit is toggling. Typically, the system would note and store the value of the toggle bit after the first read. After the second read, the system would compare the new value of the toggle bit with the first. If the toggle bit is not toggling, the device has completed the program or erase operation. The system can read array data on DQ7–DQ0 on the following read cycle.

However, if after the initial two read cycles, the system determines that the toggle bit is still toggling, the system also should note whether the value of DQ5 is high (see the section on DQ5). If it is, the system should then determine again whether the toggle bit is toggling, since the toggle bit may have stopped toggling just as DQ5 went high. If the toggle bit is no longer toggling, the device has successfully completed the program or erase operation. If it is still toggling, the device did not complete the operation successfully, and the system must write the reset command to return to reading array data.

The remaining scenario is that the system initially determines that the toggle bit is toggling and DQ5 has not gone high. The system may continue to monitor the toggle bit and DQ5 through successive read cycles, determining the status as described in the previous paragraph. Alternatively, it may choose to perform other system tasks. In this case, the system must start at the beginning of the algorithm when it returns to determine the status of the operation (top of [Figure 11.2 on page 39](#)).

**Figure 11.2** Toggle Bit Algorithm



### Notes

1. Read toggle bit twice to determine whether or not it is toggling. See text.
2. Recheck toggle bit because it may stop toggling as DQ5 changes to 1. See text.

## 11.6 DQ5: Exceeded Timing Limits

DQ5 indicates whether the program or erase time has exceeded a specified internal pulse count limit. Under these conditions DQ5 produces a *1*. This is a failure condition that indicates the program or erase cycle was not successfully completed.

The DQ5 failure condition may appear if the system tries to program a *1* to a location that is previously programmed to *0*. **Only an erase operation can change a *0* back to a *1*.** Under this condition, the device halts the operation, and when the operation has exceeded the timing limits, DQ5 produces a *1*.

Under both these conditions, the system must issue the reset command to return the device to reading array data.

## 11.7 DQ3: Sector Erase Timer

After writing a sector erase command sequence, the system may read DQ3 to determine whether or not an erase operation has begun. (The sector erase timer does not apply to the chip erase command.) If additional sectors are selected for erasure, the entire time-out also applies after each additional sector erase command. When the time-out is complete, DQ3 switches from *0* to *1*. The system may ignore DQ3 if the system can guarantee that the time between additional sector erase commands will always be less than 50  $\mu$ s. See also [Sector Erase Command Sequence on page 33](#).

After the sector erase command sequence is written, the system should read the status on DQ7 (Data# Polling) or DQ6 (Toggle Bit I) to ensure the device has accepted the command sequence, and then read DQ3. If DQ3 is *1*, the internally controlled erase cycle has begun; all further commands (other than Erase Suspend) are ignored until the erase operation is complete. If DQ3 is *0*, the device will accept additional sector erase commands. To ensure the command has been accepted, the system software should check the status of DQ3 prior to and following each subsequent sector erase command. If DQ3 is high on the second status check, the last command might not have been accepted. [Table 11.1](#) shows the outputs for DQ3.

**Table 11.1** Write Operation Status

Operation		DQ7 (Note 2)	DQ6	DQ5 (Note 1)	DQ3	DQ2 (Note 2)	RY/BY#
Standard Mode	Embedded Program Algorithm	DQ7#	Toggle	0	N/A	No toggle	0
	Embedded Erase Algorithm	0	Toggle	0	1	Toggle	0
Erase Suspend Mode	Reading within Erase Suspended Sector	1	No toggle	0	N/A	Toggle	1
	Reading within Non-Erase Suspended Sector	Data	Data	Data	Data	Data	1
	Erase-Suspend-Program	DQ7#	Toggle	0	N/A	N/A	0

**Notes**

1. DQ5 switches to 1 when an Embedded Program or Embedded Erase operation has exceeded the maximum timing limits. See [DQ5: Exceeded Timing Limits on page 40](#) for more information.
2. DQ7 and DQ2 require a valid address when reading status information. Refer to the appropriate subsection for further details.



## 12. Absolute Maximum Ratings

Parameter	Rating
Storage Temperature Plastic Packages	-65°C to +150°C
Ambient Temperature with Power Applied	-65°C to +125°C
Voltage with Respect to Ground	
$V_{CC}$ (Note 1)	-0.5 V to +4.0 V
A9, OE#, and RESET# (Note 2)	-0.5 V to +12.5 V
All other pins (Note 1)	-0.5 V to $V_{CC}+0.5$ V
Output Short Circuit Current (Note 3)	200 mA

### Notes

- Minimum DC voltage on input or I/O pins is -0.5 V. During voltage transitions, input or I/O pins may overshoot  $V_{SS}$  to -2.0 V for periods of up to 20 ns. See [Figure 13.1 on page 41](#). Maximum DC voltage on input or I/O pins is  $V_{CC}+0.5$  V. During voltage transitions, input or I/O pins may overshoot to  $V_{CC}+2.0$  V for periods up to 20 ns. See [Figure 13.2 on page 41](#).
- Minimum DC input voltage on pins A9, OE#, and RESET# is -0.5 V. During voltage transitions, A9, OE#, and RESET# may overshoot  $V_{SS}$  to -2.0 V for periods of up to 20 ns. See [Figure 13.1 on page 41](#). Maximum DC input voltage on pin A9 is +12.5 V which may overshoot to 14.0 V for periods up to 20 ns.
- No more than one output may be shorted to ground at a time. Duration of the short circuit should not be greater than one second.
- Stresses above those listed under Absolute Maximum Ratings may cause permanent damage to the device. This is a stress rating only; functional operation of the device at these or any other conditions above those indicated in the operational sections of this data sheet is not implied. Exposure of the device to absolute maximum rating conditions for extended periods may affect device reliability.

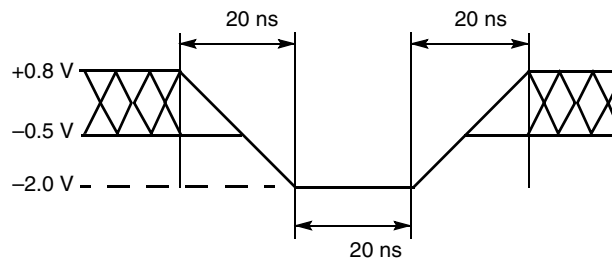
## 13. Operating Ranges

Parameter		Range
Ambient Temperature	Industrial (I) Devices	-40°C to +85°C
	Extended (N) Devices	-40°C to +125°C
$V_{CC}$ Supply Voltages	Full	2.7 V to 3.6 V
	Regulated	3.0 V to 3.6 V

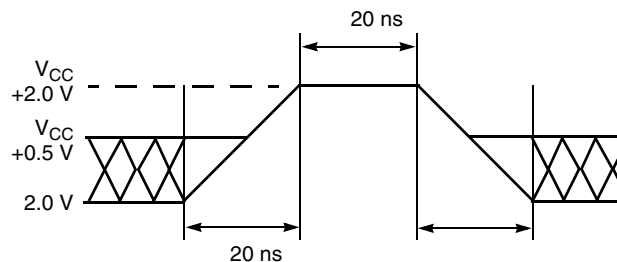
### Note

Operating ranges define those limits between which the functionality of the device is guaranteed.

**Figure 13.1** Maximum Negative Overshoot Waveform



**Figure 13.2** Maximum Positive Overshoot Waveform



## 14. DC Characteristics

### 14.1 CMOS Compatible

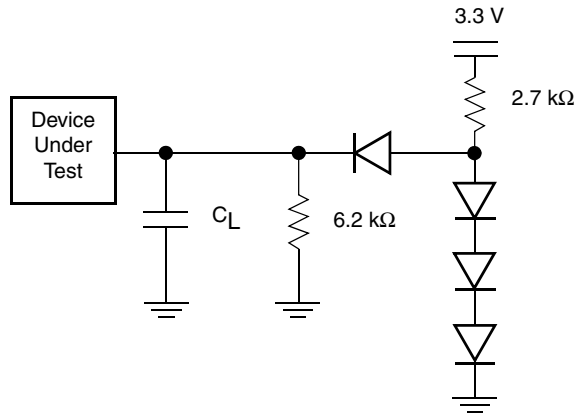
Parameter	Description	Test Conditions	Min	Typ	Max	Unit
I <sub>LI</sub>	Input Load Current	V <sub>IN</sub> = V <sub>SS</sub> to V <sub>CC</sub> , V <sub>CC</sub> = V <sub>CC max</sub>			±1.0	μA
	WP# Input Load Current	V <sub>CC</sub> = V <sub>CC max</sub> , WP# = V <sub>SS</sub> to V <sub>CC</sub>			±25	
I <sub>LIT</sub>	A9 Input Load Current	V <sub>CC</sub> = V <sub>CC max</sub> ; A9 = 12.5 V			35	
I <sub>LO</sub>	Output Leakage Current	V <sub>OUT</sub> = V <sub>SS</sub> to V <sub>CC</sub> , V <sub>CC</sub> = V <sub>CC max</sub>			±1.0	
I <sub>CC1</sub>	V <sub>CC</sub> Active Read Current (Note 1)	CE# = V <sub>IL</sub> , OE# = V <sub>IH</sub> , V <sub>CC</sub> = V <sub>CC max</sub> , Byte Mode	5 MHz	7	12	mA
			1 MHz	2	4	
		CE# = V <sub>IL</sub> , OE# = V <sub>IH</sub> , V <sub>CC</sub> = V <sub>CC max</sub> , Word Mode	5 MHz	7	12	
			1 MHz	2	4	
I <sub>CC2</sub>	V <sub>CC</sub> Active Erase/Program Current (Notes 2, 3, 4)	CE# = V <sub>IL</sub> , OE# = V <sub>IH</sub> , V <sub>CC</sub> = V <sub>CC max</sub>		20	30	mA
I <sub>CC3</sub>	V <sub>CC</sub> Standby Current (Note 4)	OE# = V <sub>IH</sub> , CE#, RESET# = V <sub>CC</sub> + 0.3 V/-0.1 V, WP# = V <sub>CC</sub> or open, V <sub>CC</sub> = V <sub>CC max</sub> (Note 5)		0.2	5	μA
I <sub>CC4</sub>	V <sub>CC</sub> Standby Current During Reset (Note 4)	V <sub>CC</sub> = V <sub>CC max</sub> ; RESET# = V <sub>SS</sub> + 0.3 V/-0.1 V WP# = V <sub>CC</sub> or open, (Note 5)		0.2	5	μA
I <sub>CC5</sub>	Automatic Sleep Mode (Notes 3, 4)	V <sub>CC</sub> = V <sub>CC max</sub> , V <sub>IH</sub> = V <sub>CC</sub> + 0.3 V, V <sub>IL</sub> = V <sub>SS</sub> + 0.3 V/-0.1 V, WP# = V <sub>CC</sub> or open, (Note 5)		0.2	5	μA
V <sub>IL</sub>	Input Low Voltage		-0.1		0.8	V
V <sub>IH</sub>	Input High Voltage		0.7 x V <sub>CC</sub>		V <sub>CC</sub> + 0.3	
V <sub>ID</sub>	Voltage for Autoselect and Temporary Sector Unprotect	V <sub>CC</sub> = 2.7–3.6 V	8.5		12.5	
V <sub>OL</sub>	Output Low Voltage	I <sub>OL</sub> = 4.0 mA, V <sub>CC</sub> = V <sub>CC min</sub>			0.45	
V <sub>OH1</sub>	Output High Voltage	I <sub>OH</sub> = -2.0 mA, V <sub>CC</sub> = V <sub>CC min</sub>	0.85 x V <sub>CC</sub>			
V <sub>OH2</sub>		I <sub>OH</sub> = -100 μA, V <sub>CC</sub> = V <sub>CC min</sub>	V <sub>CC</sub> -0.4			
V <sub>LKO</sub>	Low V <sub>CC</sub> Lock-Out Voltage		2.1		2.5	

#### Notes

- The I<sub>CC</sub> current listed is typically less than 2 mA/MHz, with OE# at V<sub>IH</sub>. Typical V<sub>CC</sub> is 3.0 V.
- I<sub>CC</sub> active while Embedded Erase or Embedded Program is in progress.
- Automatic sleep mode enables the low power mode when addresses remain stable for t<sub>ACC</sub> + 30 ns.
- Not 100% tested.
- When the device is operated in Extended Temperature range, the currents are as follows:  
 I<sub>CC3</sub> = 0.2 μA (typ), 10 μA (max)  
 I<sub>CC4</sub> = 0.2 μA (typ), 10 μA (max)  
 I<sub>CC5</sub> = 0.2 μA (typ), 10 μA (max)

## 15. Test Conditions

Figure 15.1 Test Setup



**Note**  
Diodes are IN3064 or equivalent.

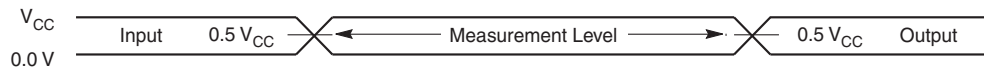
Table 15.1 Test Specifications

Test Condition	70	55	Unit
Output Load	1 TTL gate		
Output Load Capacitance, $C_L$ (including jig capacitance)	30		pF
Input Rise and Fall Times	5		ns
Input Pulse Levels	0.0 or $V_{CC}$		V
Input timing measurement reference levels	0.5 $V_{CC}$		
Output timing measurement reference levels	0.5 $V_{CC}$		

## 16. Key to Switching Waveforms

Waveform	Inputs	Outputs
	Steady	
	Changing from H to L	
	Changing from L to H	
	Don't Care, Any Change Permitted	Changing, State Unknown
	Does Not Apply	Center Line is High Impedance State (High Z)

Figure 16.1 Input Waveforms and Measurement Levels



## 17. AC Characteristics

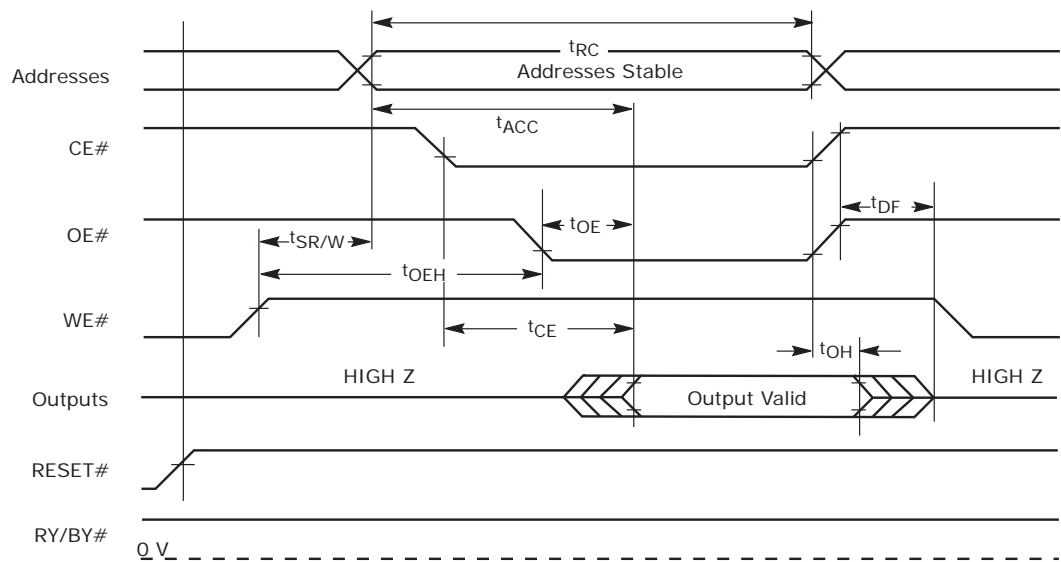
### 17.1 Read Operations

Parameter		Description	Test Setup	Speed Options		Unit	
JEDEC	Std			70	55		
$t_{AVAV}$	$t_{RC}$	Read Cycle Time (Note 1)	Min	70	55	ns	
$t_{AVQV}$	$t_{ACC}$	Address to Output Delay	CE# = $V_{IL}$ OE# = $V_{IL}$	Max	70		55
$t_{ELQV}$	$t_{CE}$	Chip Enable to Output Delay	OE# = $V_{IL}$	Max	70		55
$t_{GLQV}$	$t_{OE}$	Output Enable to Output Delay		Max	30		30
$t_{EHQZ}$	$t_{DF}$	Chip Enable to Output High Z (Note 1)		Max	16		
$t_{GHQZ}$	$t_{DF}$	Output Enable to Output High Z (Note 1)		Max	16		
	$t_{SR/W}$	Latency Between Read and Write Operations		Min	20		
	$t_{OEh}$	Output Enable Hold Time (Note 1)	Read	Min	0		
			Toggle and Data# Polling	Min	10		
$t_{AXQX}$	$t_{OH}$	Output Hold Time From Addresses, CE# or OE#, Whichever Occurs First (Note 1)	Min	0			

**Notes**

- Not 100% tested.
- See Figure 15.1 on page 43 and Table 15.1 on page 43 for test specifications.

Figure 17.1 Read Operations Timings

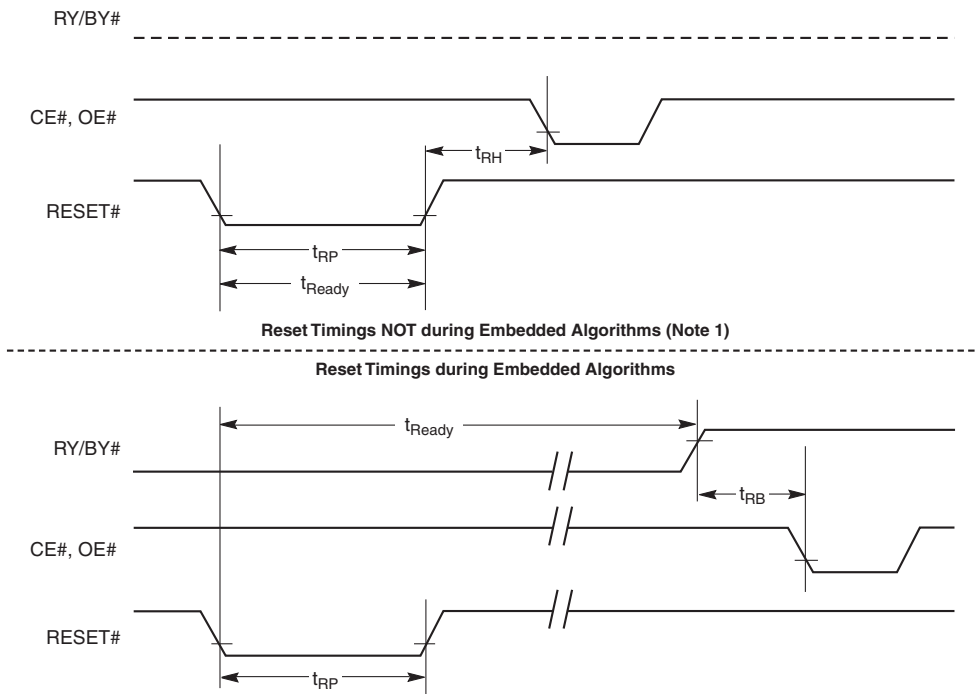


## 17.2 Hardware Reset (RESET#)

Parameter		Description	Test Setup	All Speed Options	Unit
JEDEC	Std				
	$t_{\text{READY}}$	RESET# Pin Low (During Embedded Algorithms) to Read or Write (See Note)	Max	35	$\mu\text{s}$
	$t_{\text{READY}}$	RESET# Pin Low (NOT During Embedded Algorithms) to Read or Write (See Note)	Max	500	ns
	$t_{\text{RP}}$	RESET# Pulse Width	Min	500	
	$t_{\text{RH}}$	RESET# High Time Before Read (See Note)		50	
	$t_{\text{RPD}}$	RESET# Low to Standby Mode		35	$\mu\text{s}$
	$t_{\text{RB}}$	RY/BY# Recovery Time		0	ns

**Note**  
Not 100% tested.

Figure 17.2 RESET# Timings



**Note**  
1. CE# should only go low after RESET# has gone high. Keeping CE# low from power up through the first read could cause the first read to retrieve erroneous data.

### 17.3 Word/Byte Configuration (BYTE#)

Parameter		Description		Speed Options		Unit
JEDEC	Std			70	55	
	$t_{ELFL}/t_{ELFH}$	CE# to BYTE# Switching Low or High	Max	5	ns	
	$t_{FLQZ}$	BYTE# Switching Low to Output HIGH Z	Max	16		
	$t_{FHQV}$	BYTE# Switching High to Output Active	Min	70		55

Figure 17.3 BYTE# Timings for Read Operations

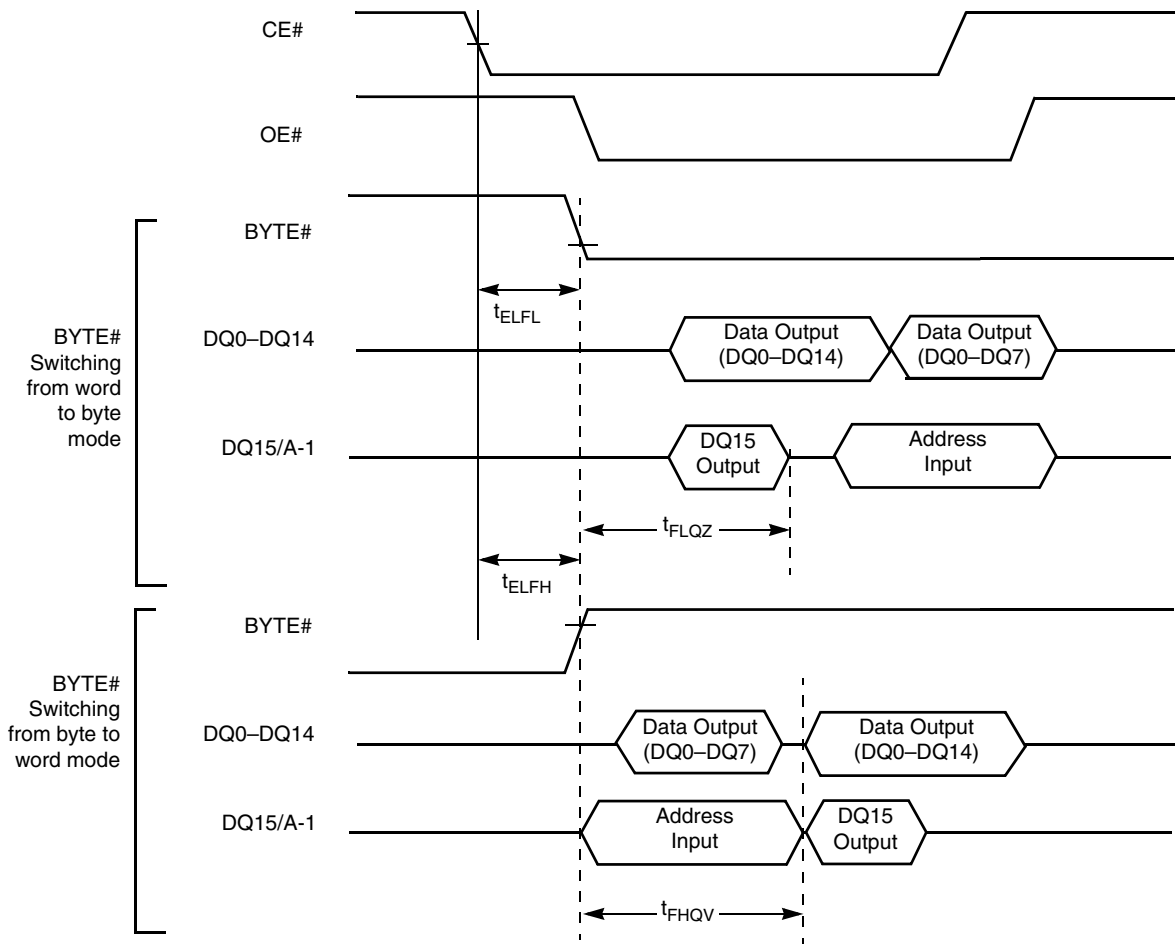
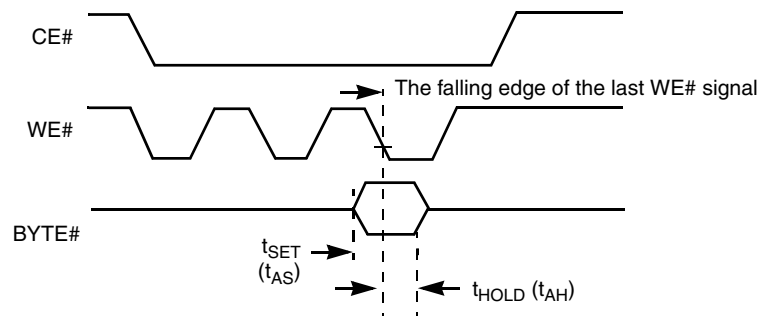


Figure 17.4 BYTE# Timings for Write Operations



**Note**  
Refer to the Erase/Program Operations table for  $t_{AS}$  and  $t_{AH}$  specifications.

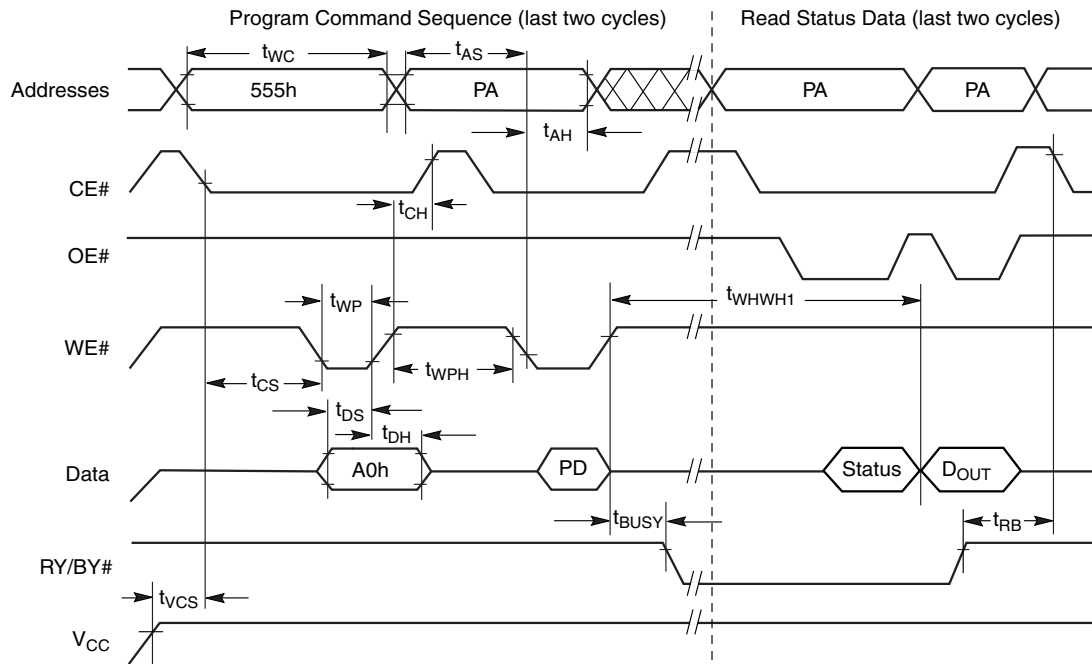
## 17.4 Erase/Program Operations

Parameter		Description		Speed Options		Unit
JEDEC	Std			70	55	
$t_{AVAV}$	$t_{WC}$	Write Cycle Time (Note 1)	Min	70	55	ns
$t_{AVWL}$	$t_{AS}$	Address Setup Time	Min	0		ns
$t_{WLAX}$	$t_{AH}$	Address Hold Time	Min	45		ns
$t_{DVWH}$	$t_{DS}$	Data Setup Time	Min	35	35	ns
$t_{WHDX}$	$t_{DH}$	Data Hold Time	Min	0		ns
	$t_{OES}$	Output Enable Setup Time	Min	0		ns
$t_{GHWL}$	$t_{GHWL}$	Read Recovery Time Before Write (OE# High to WE# Low)	Min	0		ns
$t_{ELWL}$	$t_{CS}$	CE# Setup Time	Min	0		ns
$t_{WHEH}$	$t_{CH}$	CE# Hold Time	Min	0		ns
$t_{WLWH}$	$t_{WP}$	Write Pulse Width	Min	35	35	ns
$t_{WHWL}$	$t_{WPH}$	Write Pulse Width High	Min	25		ns
	$t_{SR/W}$	Latency Between Read and Write Operations	Min	20		ns
$t_{WHWH1}$	$t_{WHWH1}$	Programming Operation (Note 2)	Byte	Typ	6	$\mu$ s
			Word	Typ	6	
$t_{WHWH2}$	$t_{WHWH2}$	Sector Erase Operation (Note 2)	Typ	0.5		sec
	$t_{VCS}$	$V_{CC}$ Setup Time (Note 1)	Min	50		$\mu$ s
	$t_{RB}$	Recovery Time from RY/BY#	Min	0		ns
	$t_{BUSY}$	Program/Erase Valid to RY/BY# Delay	Max	90		

**Notes**

1. Not 100% tested.
2. See [Erase and Programming Performance on page 53](#) for more information.

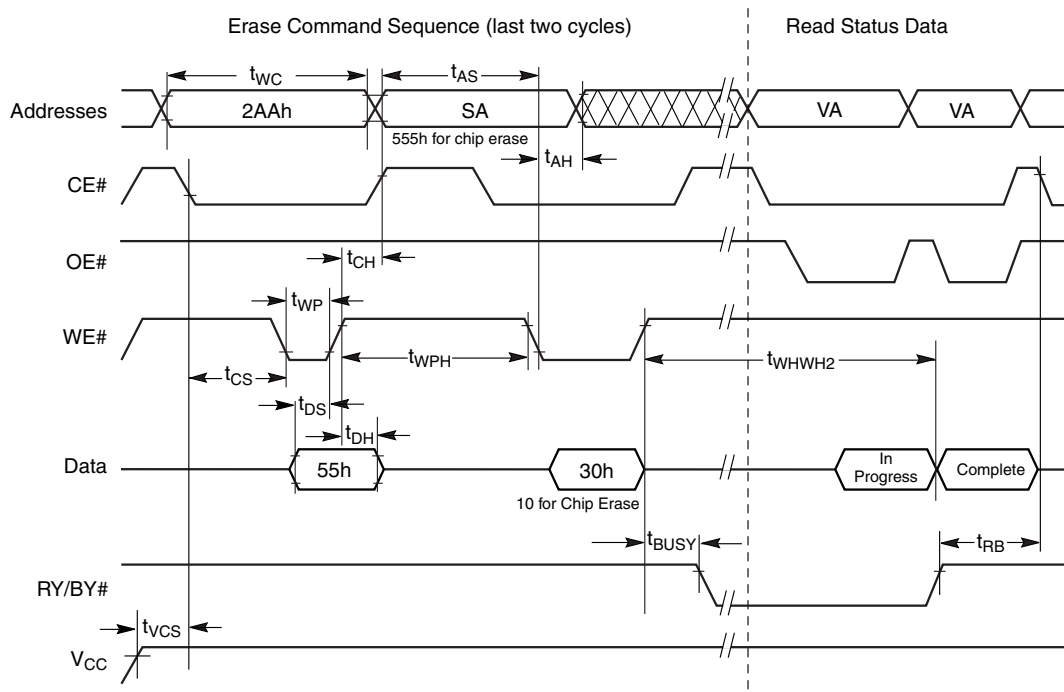
**Figure 17.5 Program Operation Timings**



**Notes**

1. PA = program address, PD = program data,  $D_{OUT}$  is the true data at the program address.
2. Illustration shows device in word mode.

Figure 17.6 Chip/Sector Erase Operation Timings



**Notes**

1. SA = sector address (for Sector Erase), VA = Valid Address for reading status data (see [Write Operation Status on page 36](#)).
2. Illustration shows device in word mode.

Figure 17.7 Back to Back Read/Write Cycle Timing

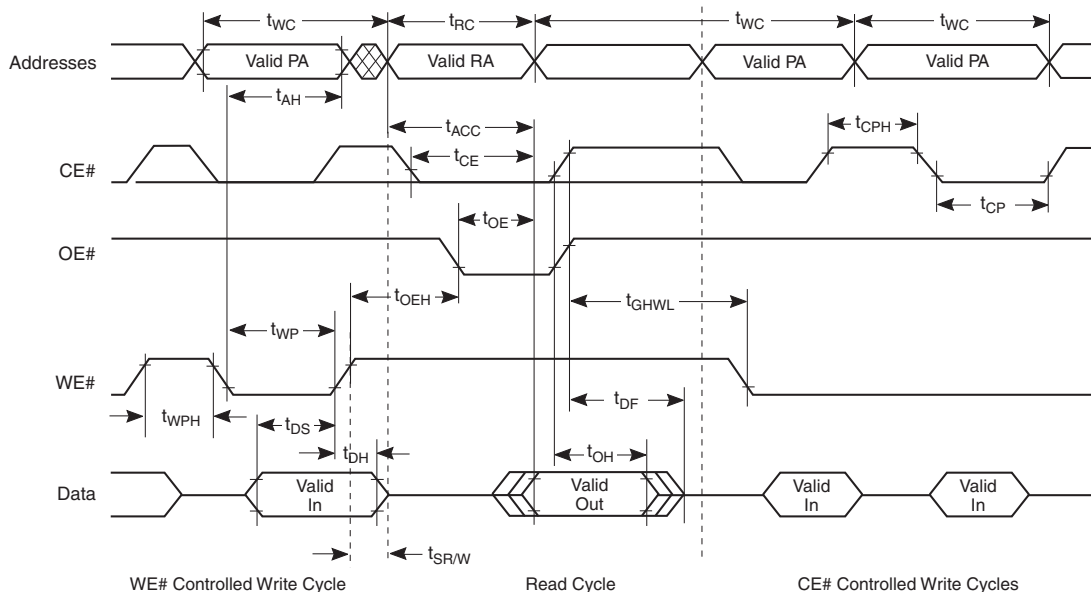
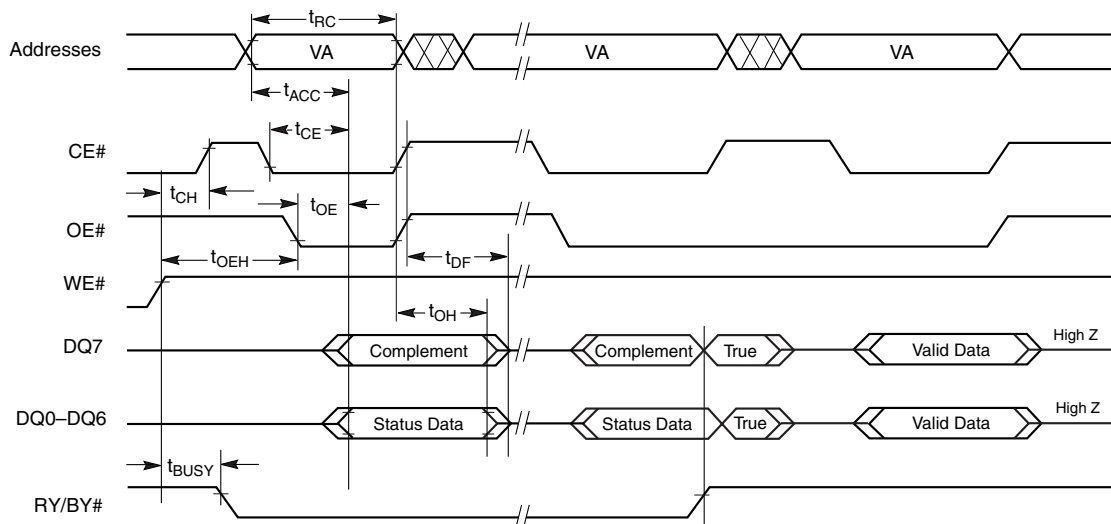


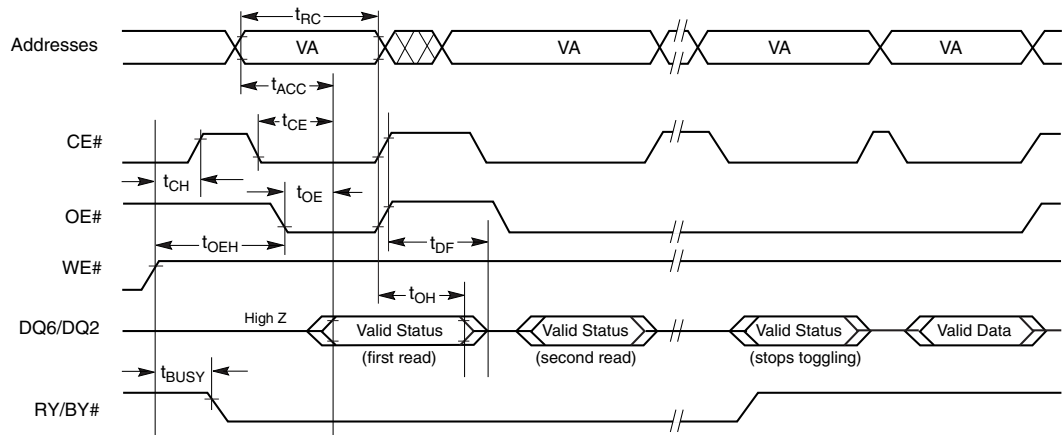


Figure 17.8 Data# Polling Timings (During Embedded Algorithms)



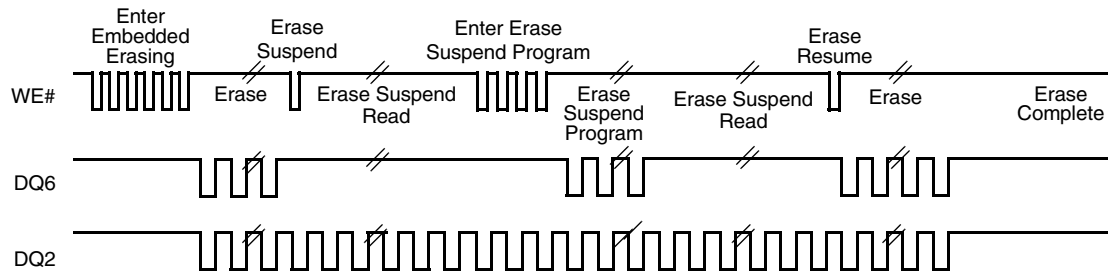
**Note**  
VA = Valid address. Illustration shows first status cycle after command sequence, last status read cycle, and array data read cycle.

Figure 17.9 Toggle Bit Timings (During Embedded Algorithms)



**Note**  
VA = Valid address; not required for DQ6. Illustration shows first two status cycle after command sequence, last status read cycle, and array data read cycle.

**Figure 17.10** DQ2 vs. DQ6 for Erase and Erase Suspend Operations



**Note**

The system may use CE# or OE# to toggle DQ2 and DQ6. DQ2 toggles only when read at an address within an erase-suspended sector.

## 17.5 Temporary Sector Group Unprotect

Parameter		Description		All Speed Options	Unit
JEDEC	Std				
	$t_{VIDR}$	$V_{ID}$ Rise and Fall Time (See Note)	Min	500	ns
	$t_{RSP}$	RESET# Setup Time for Temporary Sector Unprotect	Min	4	$\mu$ s
	$t_{RRB}$	RESET# Hold Time from RY/BY# High for Temporary Sector Unprotect	Min	4	$\mu$ s

**Note**  
Not 100% tested.

Figure 17.11 Temporary Sector Group Unprotect/Timing Diagram

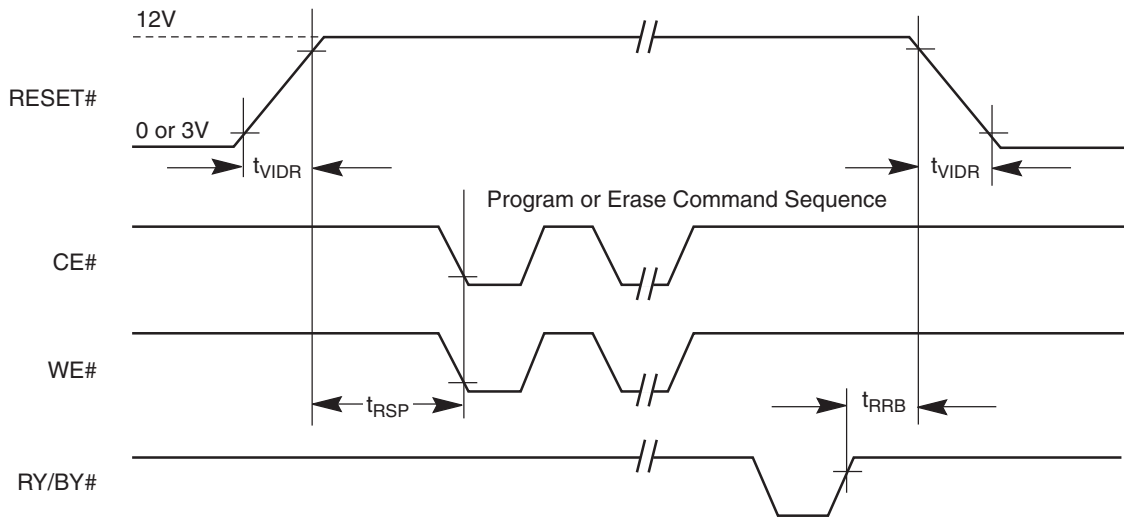
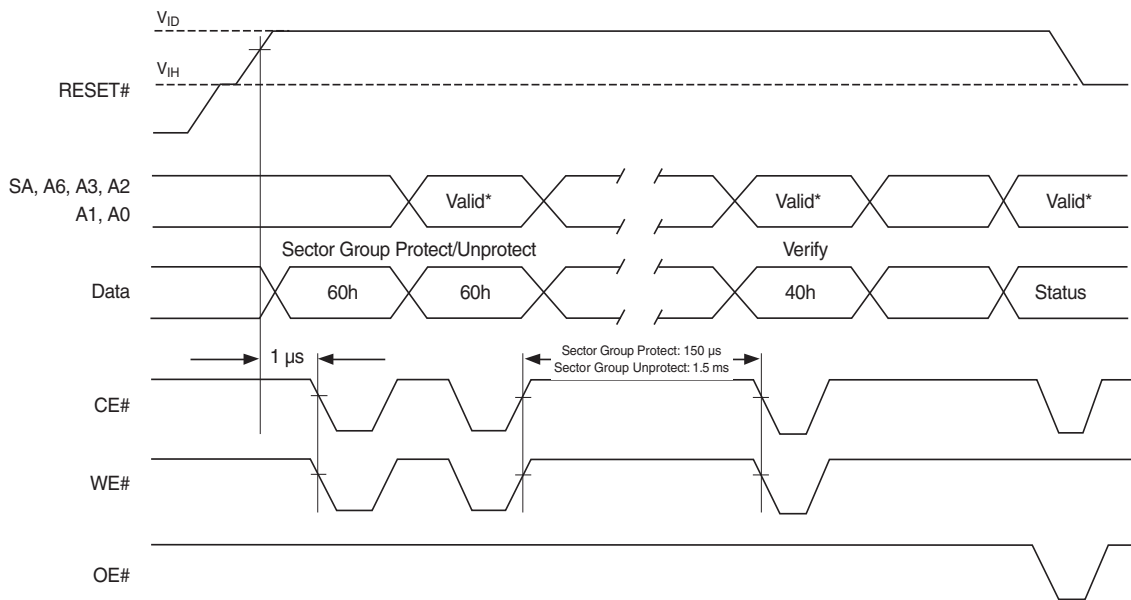


Figure 17.12 Sector Group Protect/Unprotect Timing Diagram



**Note**  
For sector group protect, A6 = 0, A3 = A2 = 0, A1 = 1, A0 = 0. For sector group unprotect, A6 = 1, A3 = A2 = 0, A1 = 1, A0 = 0.

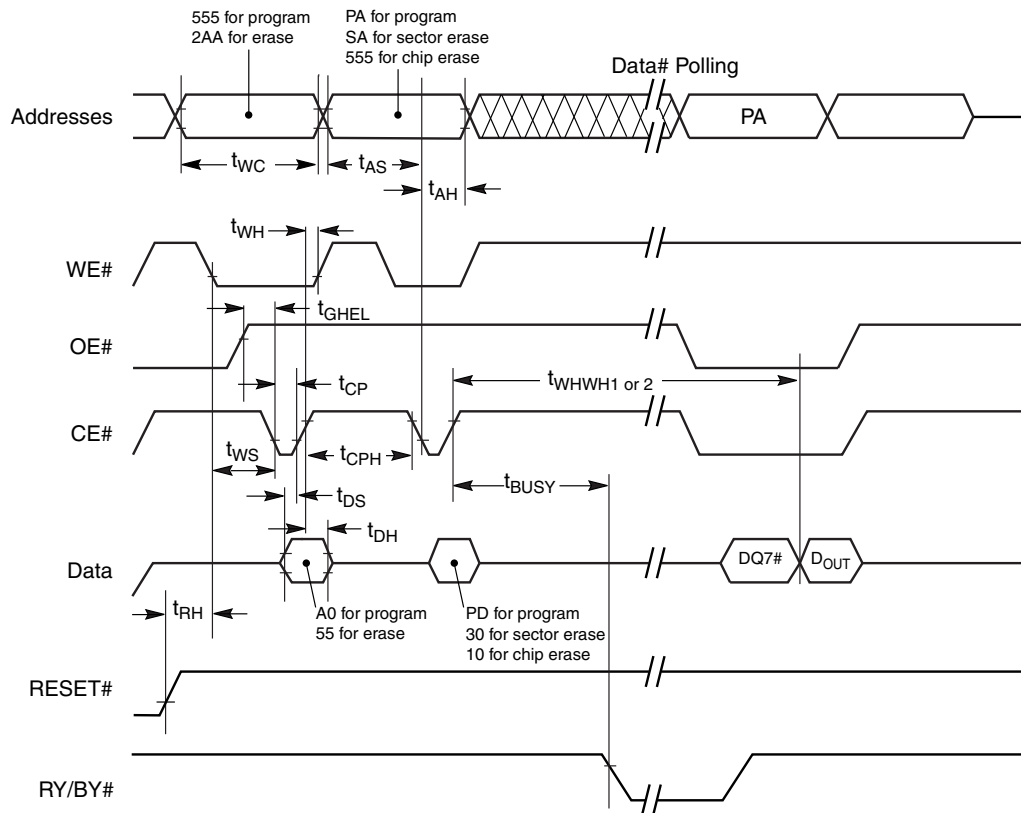
### 17.6 Alternate CE# Controlled Erase/Program Operations

Parameter		Description	Speed Options		Unit	
JEDEC	Std		70	55		
$t_{AVAV}$	$t_{WC}$	Write Cycle Time (Note 1)	Min	70	55	ns
$t_{AVEL}$	$t_{AS}$	Address Setup Time	Min	0		ns
$t_{ELAX}$	$t_{AH}$	Address Hold Time	Min	45		ns
$t_{DVEH}$	$t_{DS}$	Data Setup Time	Min	35	35	ns
$t_{EHDX}$	$t_{DH}$	Data Hold Time	Min	0		ns
	$t_{OES}$	Output Enable Setup Time	Min	0		ns
$t_{GHEL}$	$t_{GHEL}$	Read Recovery Time Before Write (OE# High to WE# Low)	Min	0		ns
$t_{WLEL}$	$t_{WS}$	WE# Setup Time	Min	0		ns
$t_{EHWH}$	$t_{WH}$	WE# Hold Time	Min	0		ns
$t_{ELEH}$	$t_{CP}$	CE# Pulse Width	Min	35	35	ns
$t_{EHEL}$	$t_{CPH}$	CE# Pulse Width High	Min	25		ns
	$t_{SR/W}$	Latency Between Read and Write Operations	Min	20		ns
$t_{WHWH1}$	$t_{WHWH1}$	Programming Operation (Note 2)	Byte	Typ		6
			Word	Typ		6
$t_{WHWH2}$	$t_{WHWH2}$	Sector Erase Operation (Note 2)	Typ	0.5		sec

**Notes**

1. Not 100% tested.
2. See [Erase and Programming Performance on page 53](#) for more information.

**Figure 17.13** Alternate CE# Controlled Write Operation Timings



**Notes**

1. PA = program address, PD = program data, DQ7# = complement of the data written to the device, D<sub>OUT</sub> = data written to the device.
2. Figure indicates the last two bus cycles of the command sequence.
3. Word mode address used as an example.

## 18. Erase and Programming Performance

Parameter		Typ (Note 1)	Max (Note 2)	Unit	Comments
Sector Erase Time		0.5	10	s	Excludes 00h programming prior to erasure (Note 4)
Chip Erase Time		16		s	
Byte Programming Time		6	150	μs	Excludes system level overhead (Note 5)
Word Programming Time		6	150	μs	
Chip Programming Time (Note 3)	Byte Mode	21.6	160	s	
	Word Mode	6.3	120	s	

### Notes

1. Typical program and erase times assume the following conditions: 25°C,  $V_{CC} = 3.0\text{ V}$ , 100,000 cycles, checkerboard data pattern.
2. Under worst case conditions of 90°C,  $V_{CC} = 2.7\text{ V}$ , 1,000,000 cycles.
3. The typical chip programming time is considerably less than the maximum chip programming time listed, since most bytes program faster than the maximum program times listed.
4. In the pre-programming step of the Embedded Erase algorithm, all bytes are programmed to 00h before erasure.
5. System-level overhead is the time required to execute the two- or four-bus-cycle sequence for the program command. See Table 10.1 on page 35 for further information on command definitions.
6. The device has a minimum erase and program cycle endurance of 100,000 cycles per sector.

## 19. TSOP and BGA Pin Capacitance

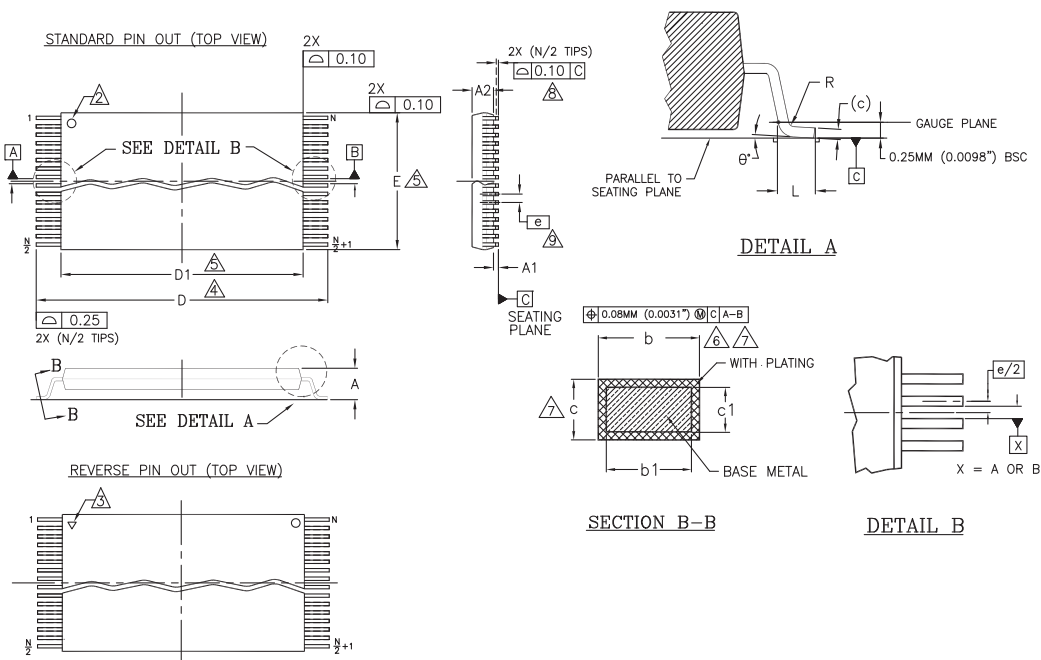
Parameter Symbol	Parameter Description	Test Setup	Package	Typ	Max	Unit
$C_{IN}$	Input Capacitance	$V_{IN} = 0$	TSOP	4	6	pF
			BGA	4	6	
$C_{OUT}$	Output Capacitance	$V_{OUT} = 0$	TSOP	4.5	5.5	
			BGA	4.5	5.5	
$C_{IN2}$	Control Pin Capacitance	$V_{IN} = 0$	TSOP	5	6.5	
			BGA	5	6.5	
$C_{IN3}$	WP# Pin Capacitance	$V_{IN} = 0$	TSOP	8.5	10	
			BGA	8.5	10	

### Notes

1. Sampled, not 100% tested.
2. Test conditions  $T_A = 25^\circ\text{C}$ ,  $f = 1.0\text{ MHz}$ .

## 20. Physical Dimensions

### 20.1 TS 048—48-Pin Standard TSOP



PACKAGE	TS/TSR 48		
JEDEC	MO-142 (D) DD		
SYMBOL	MIN	NOM	MAX
A	---	---	1.20
A1	0.05	---	0.15
A2	0.95	1.00	1.05
b1	0.17	0.20	0.23
b	0.17	0.22	0.27
c1	0.10	---	0.16
c	0.10	---	0.21
D	19.80	20.00	20.20
D1	18.30	18.40	18.50
E	11.90	12.00	12.10
e	0.50 BASIC		
L	0.50	0.60	0.70
ϑ	0°	---	8
R	0.08	---	0.20
N	48		

NOTES:

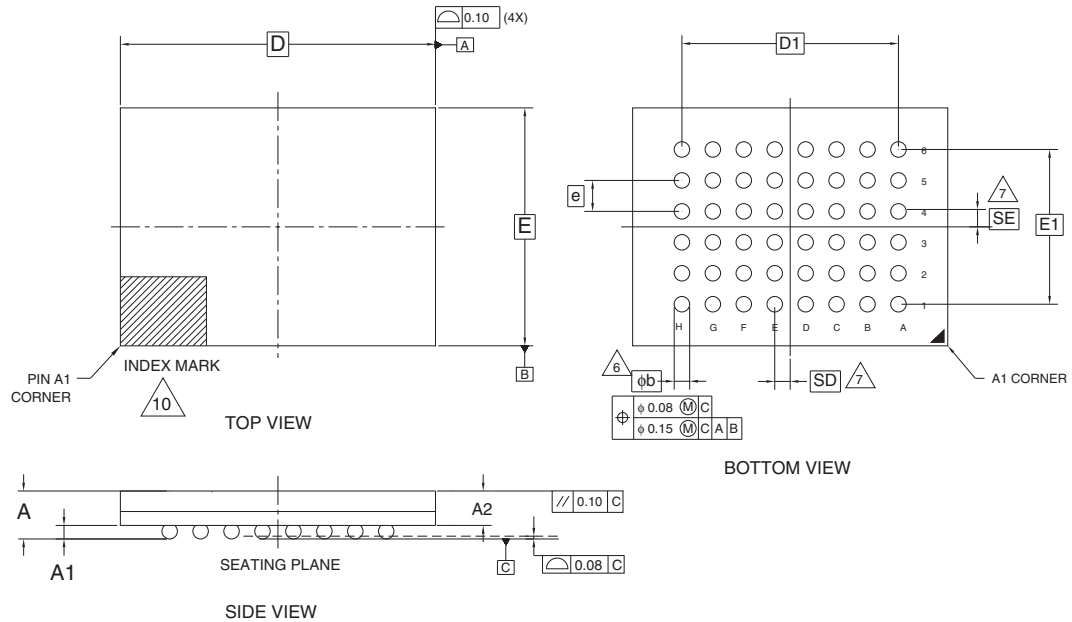
1. CONTROLLING DIMENSIONS ARE IN MILLIMETERS (mm). (DIMENSIONING AND TOLERANCING CONFORM TO ANSI Y14.5M-1982)
2. PIN 1 IDENTIFIER FOR STANDARD PIN OUT (DIE UP).
3. PIN 1 IDENTIFIER FOR REVERSE PIN OUT (DIE DOWN); INK OR LASER MARK.
4. TO BE DETERMINED AT THE SEATING PLANE [-C-]. THE SEATING PLANE IS DEFINED AS THE PLANE OF CONTACT THAT IS MADE WHEN THE PACKAGE LEADS ARE ALLOWED TO REST FREELY ON A FLAT HORIZONTAL SURFACE.
5. DIMENSIONS D1 AND E DO NOT INCLUDE MOLD PROTRUSION. ALLOWABLE MOLD PROTRUSION IS 0.15mm (.0059") PER SIDE.
6. DIMENSION b DOES NOT INCLUDE DAMBAR PROTRUSION. ALLOWABLE DAMBAR PROTRUSION SHALL BE 0.08mm (0.0031") TOTAL IN EXCESS OF b DIMENSION AT MAX. MATERIAL CONDITION. MINIMUM SPACE BETWEEN PROTRUSION AND AN ADJACENT LEAD TO BE 0.07mm (0.0028").
7. THESE DIMENSIONS APPLY TO THE FLAT SECTION OF THE LEAD BETWEEN 0.10mm (.0039") AND 0.25mm (0.0098") FROM THE LEAD TIP.
8. LEAD COPLANARITY SHALL BE WITHIN 0.10mm (0.004") AS MEASURED FROM THE SEATING PLANE.
9. DIMENSION "e" IS MEASURED AT THE CENTERLINE OF THE LEADS.

3664 \f16-038.10\11.6.7

**Note**

For reference only. BSC is an ANSI standard for Basic Space Centering.

## 20.2 VBK048—48-Ball Fine-Pitch Ball Grid Array (BGA) 8.15 mm x 6.15 mm



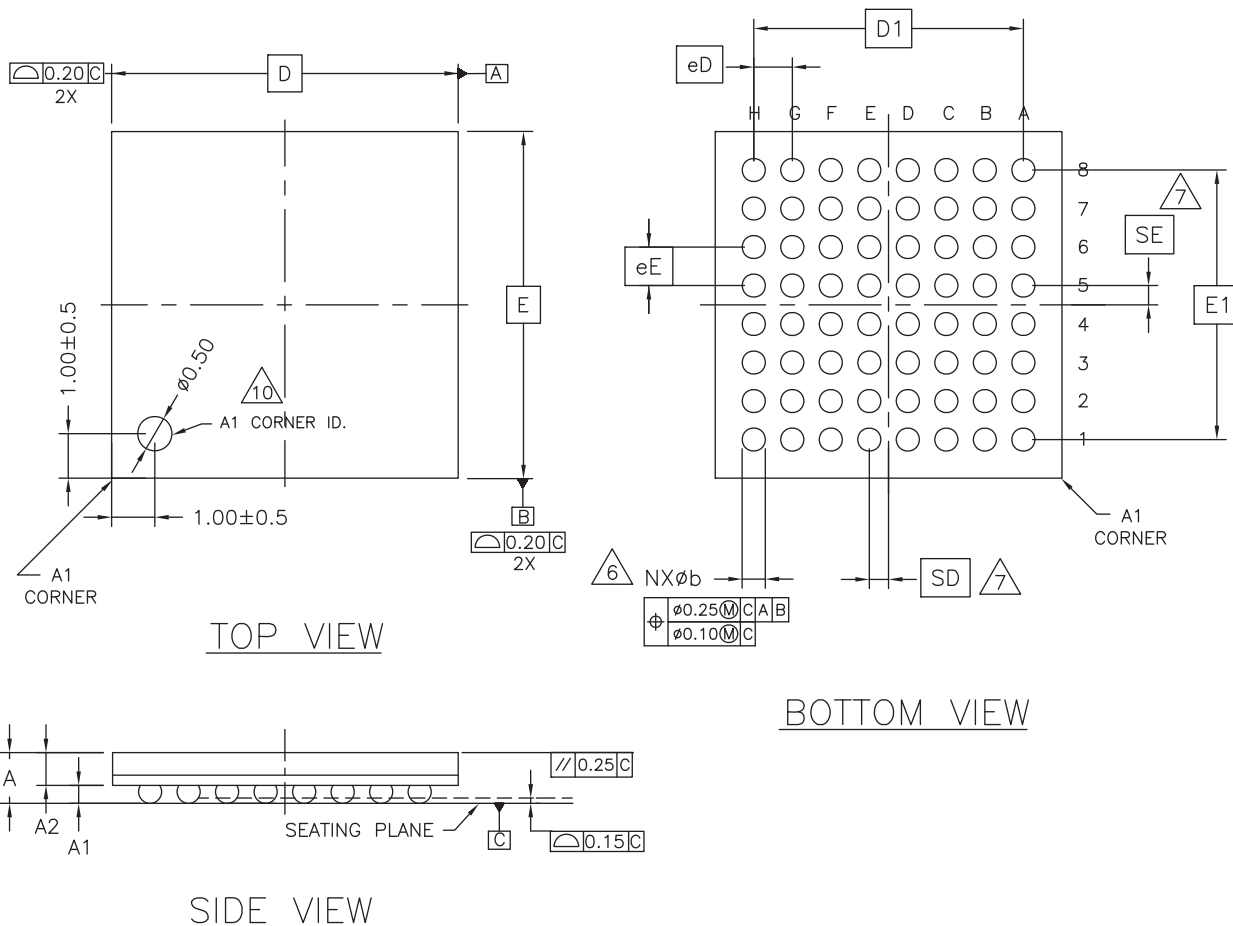
PACKAGE	VBK 048			
JEDEC	N/A			
	8.15 mm x 6.15 mm NOM PACKAGE			
SYMBOL	MIN	NOM	MAX	NOTE
A	---	---	1.00	OVERALL THICKNESS
A1	0.18	---	---	BALL HEIGHT
A2	0.62	---	0.76	BODY THICKNESS
D	8.15 BSC.			BODY SIZE
E	6.15 BSC.			BODY SIZE
D1	5.60 BSC.			BALL FOOTPRINT
E1	4.00 BSC.			BALL FOOTPRINT
MD	8			ROW MATRIX SIZE D DIRECTION
ME	6			ROW MATRIX SIZE E DIRECTION
N	48			TOTAL BALL COUNT
φb	0.35	---	0.43	BALL DIAMETER
e	0.80 BSC.			BALL PITCH
SD / SE	0.40 BSC.			SOLDER BALL PLACEMENT
	---			DEPOPULATED SOLDER BALLS

NOTES:

- DIMENSIONING AND TOLERANCING PER ASME Y14.5M-1994.
- ALL DIMENSIONS ARE IN MILLIMETERS.
- BALL POSITION DESIGNATION PER JESD 95-1, SPP-010 (EXCEPT AS NOTED).
- $\square$  REPRESENTS THE SOLDER BALL GRID PITCH.
- SYMBOL "MD" IS THE BALL ROW MATRIX SIZE IN THE "D" DIRECTION.  
SYMBOL "ME" IS THE BALL COLUMN MATRIX SIZE IN THE "E" DIRECTION.  
N IS THE TOTAL NUMBER OF SOLDER BALLS.
- $\triangle$  DIMENSION "b" IS MEASURED AT THE MAXIMUM BALL DIAMETER IN A PLANE PARALLEL TO DATUM C.
- $\triangle$  SD AND SE ARE MEASURED WITH RESPECT TO DATUMS A AND B AND DEFINE THE POSITION OF THE CENTER SOLDER BALL IN THE OUTER ROW.  
WHEN THERE IS AN ODD NUMBER OF SOLDER BALLS IN THE OUTER ROW PARALLEL TO THE D OR E DIMENSION, RESPECTIVELY, SD OR SE =  $\frac{e}{2}$ .  
WHEN THERE IS AN EVEN NUMBER OF SOLDER BALLS IN THE OUTER ROW, SD OR SE =  $\frac{e}{2}$ .
- NOT USED.
- "+" INDICATES THE THEORETICAL CENTER OF DEPOPULATED BALLS.
- $\triangle$  A1 CORNER TO BE IDENTIFIED BY CHAMFER, LASER OR INK MARK, METALLIZED MARK INDENTATION OR OTHER MEANS.

3338 \ 16-038.25b

### 20.3 LAE064–64-Ball Fortified Ball Grid Array (BGA) 9 mm x 9 mm



PACKAGE	LAE 064			NOTE
JEDEC	N/A			
	9.00 mm x 9.00 mm PACKAGE			
SYMBOL	MIN	NOM	MAX	
A	---	---	1.40	PROFILE HEIGHT
A1	0.40	---	---	STANDOFF
A2	0.60	---	---	BODY THICKNESS
D	9.00 BSC.			BODY SIZE
E	9.00 BSC.			BODY SIZE
D1	7.00 BSC.			MATRIX FOOTPRINT
E1	7.00 BSC.			MATRIX FOOTPRINT
MD	8			MATRIX SIZE D DIRECTION
ME	8			MATRIX SIZE E DIRECTION
N	64			BALL COUNT
φb	0.50	0.60	0.70	BALL DIAMETER
eD	1.00 BSC.			BALL PITCH - D DIRECTION
eE	1.00 BSC.			BALL PITCH - E DIRECTION
SD / SE	0.50 BSC.			SOLDER BALL PLACEMENT
	NONE			DEPOPULATED SOLDER BALLS

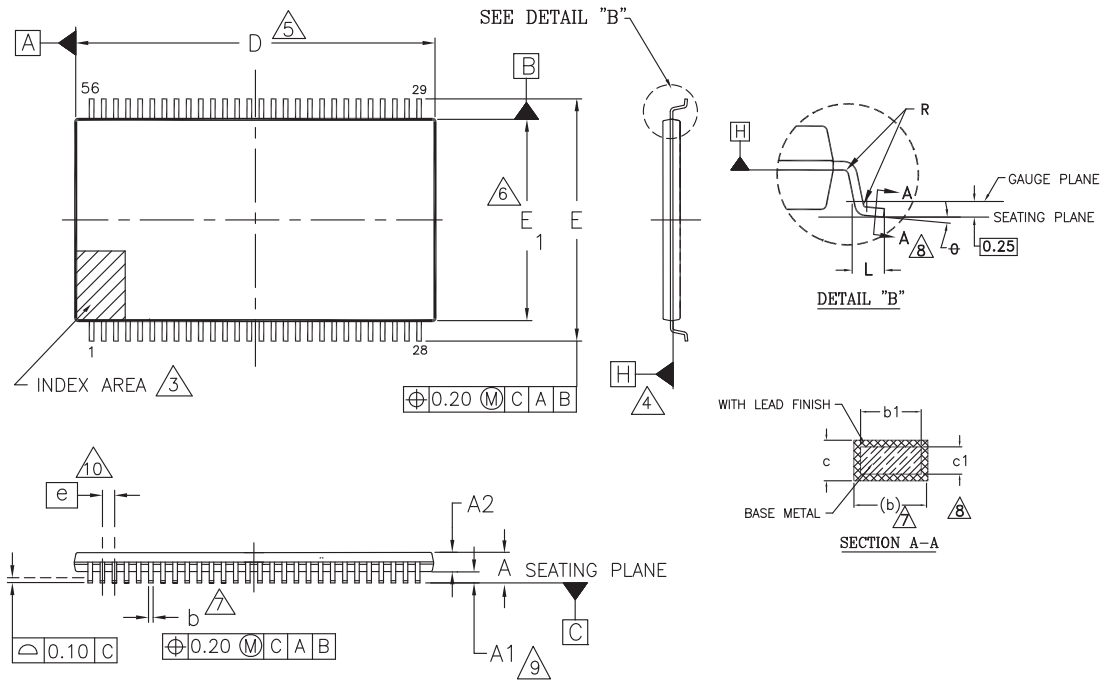
**NOTES:**

- DIMENSIONING AND TOLERANCING PER ASME Y14.5M-1994.
- ALL DIMENSIONS ARE IN MILLIMETERS.
- BALL POSITION DESIGNATION PER JESD 95-1, SPP-010 EXCEPT AS NOTED).
- [e] REPRESENTS THE SOLDER BALL GRID PITCH.
- SYMBOL "MD" IS THE BALL ROW MATRIX SIZE IN THE "D" DIRECTION.  
SYMBOL "ME" IS THE BALL COLUMN MATRIX SIZE IN THE "E" DIRECTION.  
N IS THE TOTAL NUMBER OF SOLDER BALLS.
- DIMENSION "b" IS MEASURED AT THE MAXIMUM BALL DIAMETER IN A PLANE PARALLEL TO DATUM C.
- SD AND SE ARE MEASURED WITH RESPECT TO DATUMS A AND B AND DEFINE THE POSITION OF THE CENTER SOLDER BALL IN THE OUTER ROW.
- WHEN THERE IS AN ODD NUMBER OF SOLDER BALLS IN THE OUTER ROW PARALLEL TO THE D OR E DIMENSION, RESPECTIVELY, SD OR SE = 0.000.
- WHEN THERE IS AN EVEN NUMBER OF SOLDER BALLS IN THE OUTER ROW, SD OR SE = [e/2]
- NOT USED.
- "+" INDICATES THE THEORETICAL CENTER OF DEPOPULATED BALLS.

3623 \ 16-038.12 \ 1.16.07



## 20.4 SSOP56- 56-Pin Shrink Small Outline Package



PACKAGE	SSO 056		
JEDEC	MO-180 (A) BA		
SYMBOL	MIN	NOM	MAX
A	---	---	2.00
A1	0.45	---	0.65
A2	1.15	1.25	1.35
b	*0.25	---	0.45
b1	0.30	0.35	0.40
c	0.10	---	0.21
c1	0.10	0.15	0.18
D	23.40	23.70	24.00
E	15.70	16.00	16.30
E1	13.10	13.30	13.50
e	0.80 BASIC		
L	0.60	0.80	1.00
R	0.09	---	---
ϕ	0°	4°	8°

Note: \*Deviate from JEDEC (0.30)

NOTES:

- CONTROLLING DIMENSIONS ARE IN MILLIMETERS (mm).
- DIMENSIONING AND TOLERANCING CONFORM TO ASME Y14.5M-1994.
- A VISUAL INDEX FEATURE MUST BE LOCATED WITHIN THE CROSSHATCHED AREA.
- DATUMS A AND B AND DIMENSIONS D AND E1 ARE DETERMINED AT DATUM H.
- DIMENSION "D" DOES NOT INCLUDE MOLD FLASH, PROTRUSIONS OR GATE BURRS. MOLD FLASH, PROTRUSIONS AND GATE BURRS SHALL NOT EXCEED 0.15 mm PER END.
- DIMENSION "E1" DOES NOT INCLUDE INTERLEAD FLASH OR PROTRUSION. INTERLEAD FLASH OR PROTRUSION SHALL NOT EXCEED 0.15 mm PER SIDE.
- DIMENSION b DOES NOT INCLUDE DAMBAR PROTRUSION/INTRUSION. ALLOWABLE DAMBAR PROTRUSION SHALL NOT EXCEED 0.15 mm PER SIDE. DAMBAR INTRUSION SHALL NOT REDUCE DIMENSION b BY MORE THAN 0.07 mm AT LEAST MATERIAL CONDITION.
- THESE DIMENSIONS APPLY TO THE FLAT SECTION OF THE LEAD BETWEEN 0.10 mm AND 0.25 mm FROM THE LEAD TIPS.
- A1 IS DEFINED AS THE DISTANCE FROM THE SEATING PLANE TO THE LOWEST POINT OF THE PACKAGE.
- DIMENSION "e" IS MEASURED AT THE CENTERLINE OF THE LEADS.
- LEAD COPLANARITY SHALL BE WITHIN 0.10 mm AS MEASURED FROM THE SEATING PLANE.

3702 \ f16-038.3 \ 7.25.9

## 21. Revision History

Section	Description
<b>Revision 01 (April 10, 2007)</b>	
	Initial release.
<b>Revision 02 (May 17, 2007)</b>	
Global	Deleted references to ACC input.
General Description	Corrected ball count for Fortified BGA package.
Product Selector Guide	Changed maximum $t_{OE}$ for 45 ns option.
Autoselect Codes (High Voltage Method) table	Changed address bits A19–A10 for Sector Protection Verification to SA.
Secured Silicon Sector Flash Memory Region	<i>Factory Locked: Secured Silicon Sector Programmed and Protected at the Factory:</i> Changed top boot sector number and addresses for ESN. Deleted reference to uniform sector device.
Common Flash Memory Interface (CFI)	<i>Primary Vendor-Specific Extended Query table:</i> Added entries for addresses 4Dh–50h (x8 mode).
DC Characteristics	<i>CMOS Compatible table:</i> Modified test conditions for $I_{CC3}$ , $I_{CC4}$ , $I_{CC5}$
AC Characteristics table	<i>Read Operations table:</i> Changed $t_{OE}$ specification for 45 and 55 ns options.
<b>Revision 03 (October 29, 2007)</b>	
Global	Removed 44-pin SOP package
Ordering Information	Removed all leaded package offerings
S29AL016J Device Bus Operations Table	Under Note 3: Removed the line “If WP# = $V_{HH}$ , all sectors will be unprotected.”
CFI Query Identification String Table	Updated the data for CFI addresses 2C hex
S29AL016J Command Definitions Table	The 2nd cycle data for the “Unlock Bypass Reset” command was updated from 'F0' to '00'.
Absolute Maximum Ratings	Updated $V_{CC}$ Absolute Maximum Rating
CMOS Compatible Table	Updated $I_{CC3}$ Standby current test condition Updated maximum value of $V_{OL}$ Updated minimum value of $V_{LKO}$
Figure Back to Back Read/Write Cycle Timing	Corrected the $t_{SRW}$ duration
<b>Revision 04 (March 25, 2008)</b>	
Reset #: Hardware Reset Pin	Updated current consumption during RESET# pulse
CMOS Compatible Table	Updated maximum value of $I_{L1}$ Updated test condition, typical and maximum value of $I_{CC3}$ Updated test condition, typical and maximum value of $I_{CC4}$ Updated test condition, typical and maximum value of $I_{CC5}$ Updated minimum value of $V_{IL}$ Added Note 5
Ordering Information	Updated valid combination Removed 45 ns, added 70 ns
<b>Revision 05 (May 23, 2008)</b>	
Ordering Information	Corrected model number 02 and 04 to bottom boot Added the Regulated Voltage option Added the Extended Temperature Range Updated the Valid Combination table
Pin Configuration	Updated Pin Configuration table
Device Bus Operation	Updated the S29AL016J Device Bus Operation table and modified Note 3
Operating Ranges	Added Extended Temperature Range information Added Regulated Voltage

Section	Description
<b>Revision 06 (August 12, 2008)</b>	
Sector Protection/Unprotection	Title changed to Sector Group Protection and Unprotection Section amended and restated to Sector Group Protection and Unprotection
Temporary Sector Unprotect	Title changed to Temporary Sector Group Unprotect Figure 7.2; Title changed to Temporary Sector Group Unprotect Operation Figure 7.3; Title changed to In-System Sector Protect/Unprotect Algorithms
Temporary Sector Unprotect	Title changed to Temporary Sector Group Unprotect Figure 17.11; Title changed to Temporary Sector Group Unprotect/Timing Diagram Figure 17.12; Sector Group Protect/Unprotect Timing Diagram
Reading Toggle Bits DQ6/DQ2	Updated Figure 11.2
Ordering Information	Added SSOP56 package option Updated the Valid Combination table
Connection Diagrams	Added 56-pin Shrink Small Outline Package (SSOP56)
Physical Dimensions	Added 56-pin Shrink Small Outline Package (SSOP56)
Alternate CE# Controlled Erase/Program Operations	TDS value changed from 45 ns to 35 ns
Erase/Program Operation	Added figure Toggle Bit Timing (During Embedded Algorithm)
Product Selector Guide	Updated Table
<b>Revision 07 (October 27, 2008)</b>	
Customer Lockable: Secured Silicon Sector Programmed and Protected at the Factory	Modified first bullet Updated figure Secured Silicon Sector Protect Verify
TSOP and Pin Capacitance	Updated Table
<b>Revision 08 (February 3, 2009)</b>	
Ordering Information	Updated the Valid Combination table
Erase/Program Operation	Updated Table Removed Figure <i>Toggle Bit Timing (During Embedded Algorithm)</i>
<b>Revision 09 (July 9, 2009)</b>	
Physical Dimensions	Updated TS048
Customer Lockable: Secured Silicon Sector NOT Programmed and Protected at the Factory	Modified first bullet
Erase and Programming Performance	Updated Table
<b>Revision 10 (February 18, 2010)</b>	
Sector Erase Command Sequence	Added clarification regarding additional sector erase commands during time-out period.
Command Definitions Table	Added Note 15 to clarify additional sector erase commands during time-out period.
<b>Revision 11 (December 9, 2011)</b>	
Ordering Information	Added Low-Halogen 48-ball BGA ordering option
RESET#: Hardware Reset Pin	Added sentence regarding use of CE# with RESET#
RESET# Timings Figure	Added note

**Colophon**

The products described in this document are designed, developed and manufactured as contemplated for general use, including without limitation, ordinary industrial use, general office use, personal use, and household use, but are not designed, developed and manufactured as contemplated (1) for any use that includes fatal risks or dangers that, unless extremely high safety is secured, could have a serious effect to the public, and could lead directly to death, personal injury, severe physical damage or other loss (i.e., nuclear reaction control in nuclear facility, aircraft flight control, air traffic control, mass transport control, medical life support system, missile launch control in weapon system), or (2) for any use where chance of failure is intolerable (i.e., submersible repeater and artificial satellite). Please note that Spansion will not be liable to you and/or any third party for any claims or damages arising in connection with above-mentioned uses of the products. Any semiconductor devices have an inherent chance of failure. You must protect against injury, damage or loss from such failures by incorporating safety design measures into your facility and equipment such as redundancy, fire protection, and prevention of over-current levels and other abnormal operating conditions. If any products described in this document represent goods or technologies subject to certain restrictions on export under the Foreign Exchange and Foreign Trade Law of Japan, the US Export Administration Regulations or the applicable laws of any other country, the prior authorization by the respective government entity will be required for export of those products.

**Trademarks and Notice**

The contents of this document are subject to change without notice. This document may contain information on a Spansion product under development by Spansion. Spansion reserves the right to change or discontinue work on any product without notice. The information in this document is provided as is without warranty or guarantee of any kind as to its accuracy, completeness, operability, fitness for particular purpose, merchantability, non-infringement of third-party rights, or any other warranty, express, implied, or statutory. Spansion assumes no liability for any damages of any kind arising out of the use of the information in this document.

Copyright © 2007-2011 Spansion Inc. All rights reserved. Spansion®, the Spansion logo, MirrorBit®, MirrorBit® Eclipse™, ORNAND™, EcoRAM™ and combinations thereof, are trademarks and registered trademarks of Spansion LLC in the United States and other countries. Other names used are for informational purposes only and may be trademarks of their respective owners.