

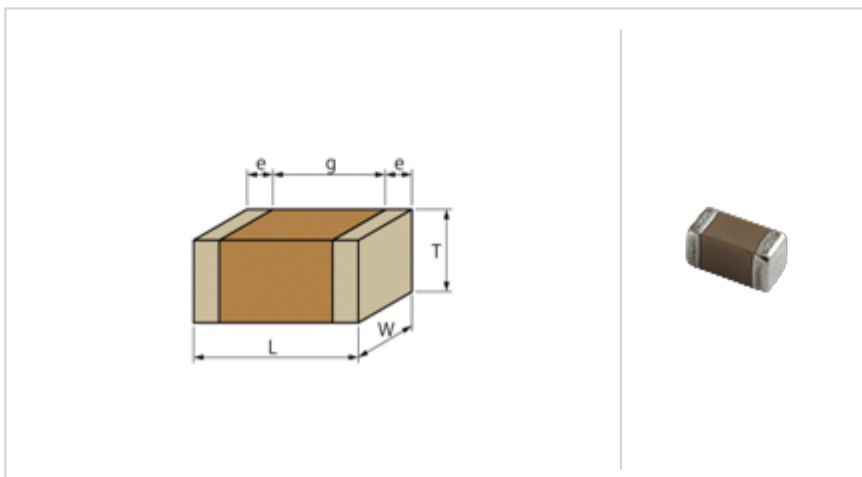
GRM32QR72H223KW01L

" # " indicates a package specification code.



< List of part numbers with package codes >
GRM32QR72H223KW01L

Shape



L size	3.2 ± 0.3mm
W size	2.5 ± 0.2mm
T size	1.5 +0/-0.3mm
External terminal width e	0.3mm min.
Distance between external terminals g (Min.)	1.2mm
Size code in mm(inch)	3225 (1210)

References

Packaging	Specifications	Minimum quantity
	180mm Embossed taping	2000

Specifications

Capacitance	22000pF ± 10%
Rated voltage	500Vdc
Temperature characteristics (complied standard)	X7R(EIA)
Capacitance change rate	± 15%
Temperature range of temperature characteristics	-55 to 125
Operating temperature range	-55 to 125

⚠ Attention

- 1.This datasheet is downloaded from the website of Murata Manufacturing Co., Ltd. Therefore, it ' s specifications are subject to change or our products in it may be discontinued without advance notice. Please check with our sales representatives or product engineers before ordering.
- 2.This datasheet has only typical specifications because there is no space for detailed specifications. Therefore, please review our product specifications or consult the approval sheet for product specifications before ordering.